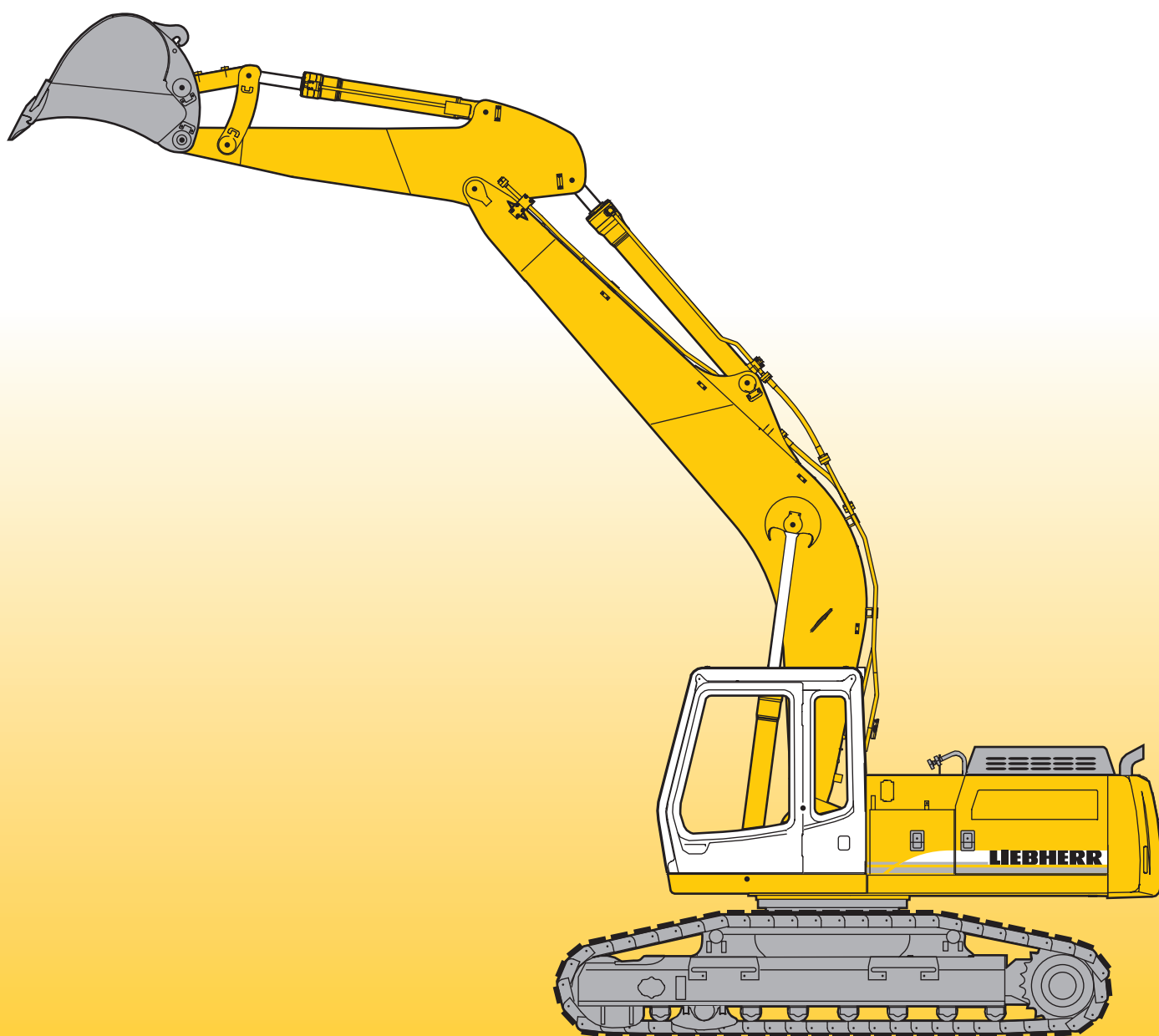


Technical Description Hydraulic Excavator

R 914 B
Litronic®

Operating Weight 23,6 - 25,1 t
Engine Output 112 kW (152 HP)
Bucket Capacity 0,30 - 1,40 m³



LIEBHERR

Courtesy of Machine.Market

Technical Data



Engine

Rating per ISO 9249	112 kW (152 HP) at 2000 RPM
Model	Liebherr D 924 TI-E
Type	4 cylinder in-line
Bore/Stroke	122/142 mm
Displacement	6,6 l
Engine operation	4-stroke diesel direct injection turbo-charged after-cooled reduced emissions
Cooling	water-cooled and integrated motor oil cooler
Air cleaner	dry-type air cleaner with pre-cleaner, primary and safety elements
Fuel tank	360 l
Standard	sensor controlled engine idling
Electrical system	
Voltage	24 V
Batteries	2 x 110 Ah/12 V
Starter	three phase current 24 V/5,4 kW
Alternator	24 V/55 A



Hydraulic System

Hydraulic pump	LSC control system (Liebherr-Synchron-Comfort), regulation with Liebherr variable flow swash plate double pump
Max. flow	2 x 200 l/min.
Max. pressure	350 bar
Pump regulation	electro-hydraulic with electronic engine speed sensing regulation, pressure compensation, flow com-pensation, automatic oil flow optimizer, swing circuit with priority and torque control
Hydraulic tank	230 l
Hydraulic system	max. 440 l
Hydraulic oil filter	1 full flow filter in return line with integrated fine filter area (5 µm)
Hydraulic oil cooler	compact cooler, consisting of a water cooler, sandwiched with hydraulic oil cooler and after-cooler cores and hydrostatically driven fan
MODE selection	adjustment of machine performance and the hydraulics via a mode selector to match application
LIFT	for lifting
FINE	for precision work and lifting through very sensitive movements
ECO	for especially economical and environmentally friendly operation
POWER	for maximum digging power and heavy duty jobs
Super-Finish	adjustable working speed for precision work
R.P.M. adjustment	stepless adjustment of engine output via the r.p.m. at each selected mode
Additional menu	4 adjustable oil flows, for optional accessories



Hydraulic Controls

Power distribution	via control valve with integrated safety valves, simultaneous and independent operation of travel drive, swing drive and work attachment
Servo circuit	
Attachment and swing	– proportional via joystick levers
Travel	– proportional via foot pedals or removable hand levers
Additional functions	via foot pedals or joystick toggle switch



Swing Drive

Drive by	swash plate motor with integrated control valve and torque control
Transmission	Liebherr compact planetary reduction gear
Swing ring	Liebherr, sealed single race ball bearing swing ring, internal teeth
Swing speed	0–9 RPM stepless
Swing torque	66,0 kNm
Holding brake	wet multi-disc (spring applied, pressure released)
Option	pedal controlled positioning brake



Operator's Cab

Cab	built from deep drawn components, resiliently mounted, sound insulated, tinted windows, front window stores overhead, door with sliding window
Operator's seat	shock absorbing suspension, adjustable to operator's weight, 6-way adjustable seat
Joysticks	integrated into adjustable seat consoles
Monitoring	menu driven query of current operating conditions via the LCD display. Automatic monitoring, display, warning (acoustical and optical signal) and saving machine malfunction data, for example, engine overheating, low engine oil pressure or low hydraulic oil level
Heating system	standard air conditioning, combined cooler/heater, additional dust filter in fresh air/recirculated
Noise emission	
ISO 6396	L_{pA} (inside cab) = 77 dB(A)
2000/14/EC	L_{wA} (surround noise) = 104 dB(A)



Undercarriage

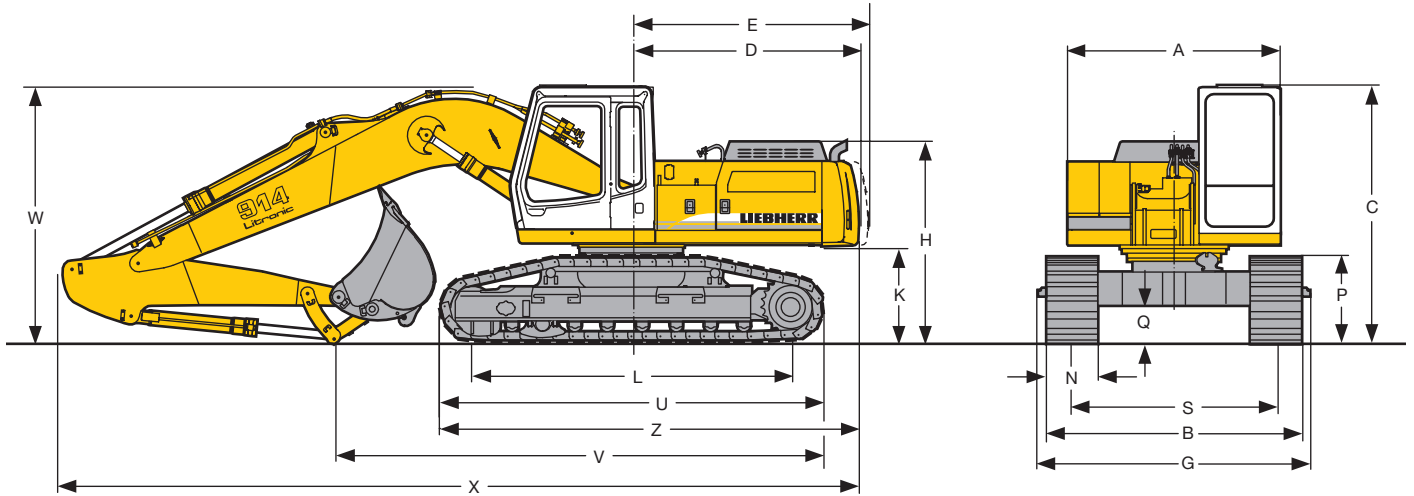
Versions	
HD-S	heavy duty, narrow gauge
HD-SL	heavy duty, wide gauge
Drive	Liebherr swash plate motors with integrated brake valves on both sides
Transmission	Liebherr planetary reduction gears
Travel speed	HD-S: low range –3,2 km/h high range –5,3 km/h HD-SL: low range –3,1 km/h high range –5,2 km/h
Drawbar pull max.	HD-S: 260 kN HD-SL: 264 kN
Track components	HD-S: D 6 C, maintenance-free HD-SL: B 60, maintenance-free
Track rollers/Carrier rollers	HD-S: 7/2 HD-SL: 8/2
Tracks	sealed and greased
Track pads	triple grouser
Digging locks	wet multi-discs (spring applied, pressure released)
Brake valves	integrated into travel motor



Attachment

Type	combination of resistant steel plates and cast steel components
Hydraulic cylinders	Liebherr cylinders with special seal-system, shock absorbed
Pivots	sealed, low maintenance
Lubrication	via grease distributor and a grease nipple installed on the uppercarriage
Hydraulic connections	pipes and hoses equipped with SAE split-flange connections
Bucket	Standard equipped with 12 t safety hook for lifting

Dimensions

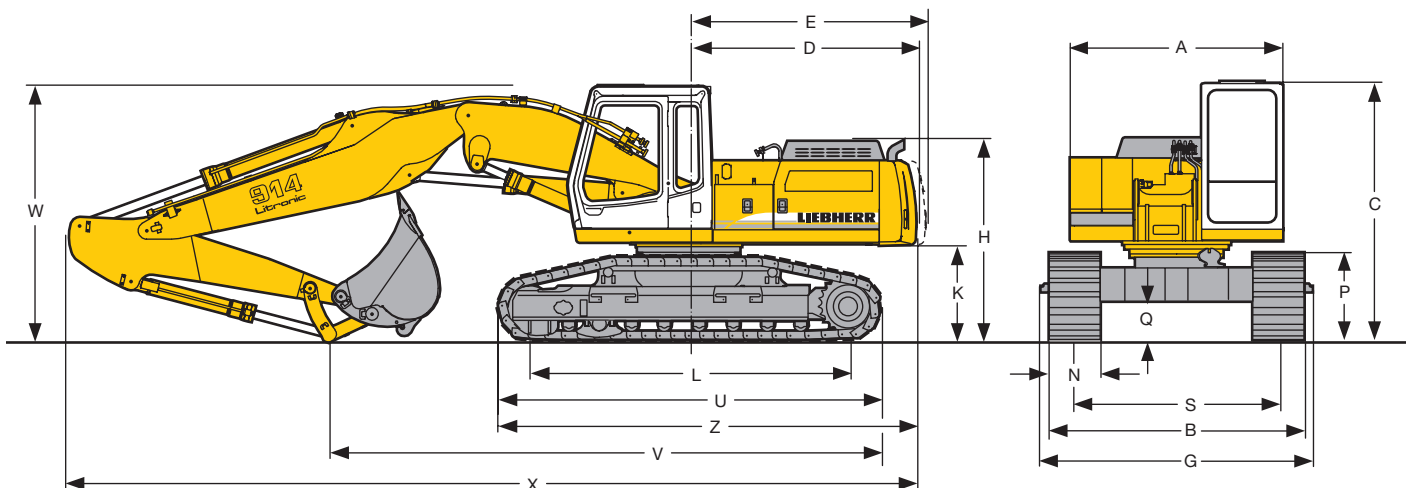


	HD-S	mm	HD-SL	mm
A		2500		2500
C		3080		3065
D		2690		2690
E		2800		2800
H		2400		2385
K		1170		1155
L		3432		3748
P		1030		995
Q		475		470
S		2000		2400
U		4265		4555
N	500 600 750		500 600 750	
B	2505 2600 2750		- 3000 3150	
G	2765 2765 2765		- 3160 3160	
Z		4825		4970

Gooseneck Boom 5,70 m with HD-S- or HD-SL-Undercarriage					
Stick length	m	1,80	2,40	3,00	3,70
V for HD-S-Undercarriage	mm	6500	5650	5000	4250
V for HD-SL-Undercarriage	mm	6650	5800	5150	4400
W	mm	3150	3050	3050	3100
X	mm	9500	9450	9450	9450

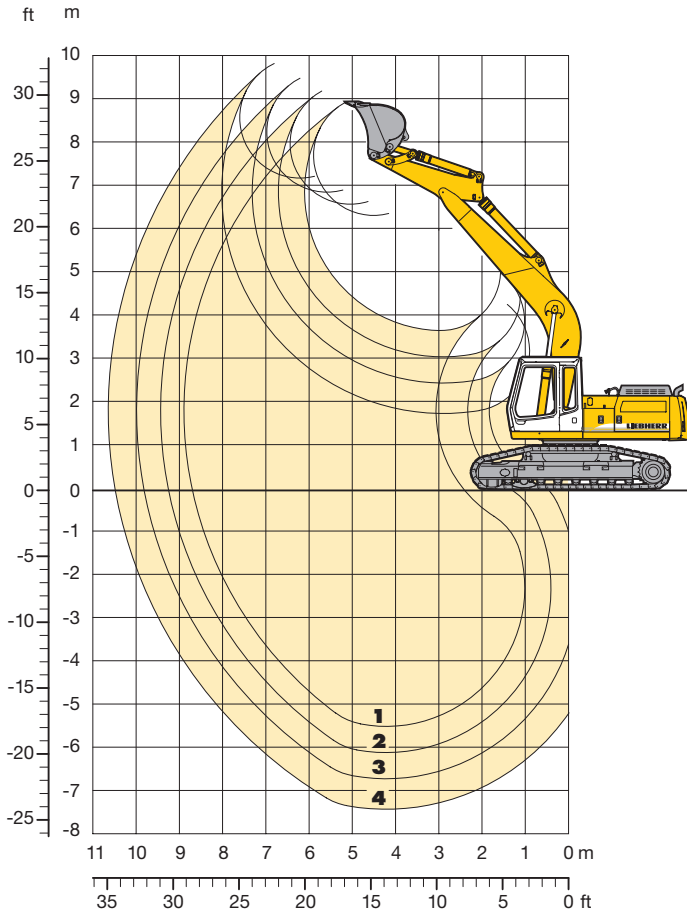
Hydraulically Adjustable Boom 4,00 m with HD-S- or HD-SL-Undercarriage					
Stick length	m	1,80	2,40	3,00	3,70
V for HD-S-Undercarriage	mm	6300	6350	5750	5100
V for HD-SL-Undercarriage	mm	6450	6500	5900	5250
W	mm	3000	3000	3065	3150
X	mm	10050	10000	10000	10000

Straight Gooseneck Boom 6,00 m with HD-S- or HD-SL-Undercarriage					
Stick length	m	1,80	2,40	3,00	3,70
V for HD-S-Undercarriage	mm	7050	6250	5600	5050
V for HD-SL-Undercarriage	mm	7200	6400	5750	5200
W	mm	2950	2900	2950	3150
X	mm	9850	9800	9800	9800



Backhoe Attachment

with Gooseneck Boom 5,70 m



Digging Envelope

		1	2	3	4
Stick lengths	m	1,80	2,40	3,00	3,70
Max. digging depth	m	5,40	6,00	6,60	7,30
Max. reach at ground level	m	8,65	9,20	9,75	10,40
Max. dump height	m	6,30	6,55	6,85	7,15
Max. teeth height	m	8,90	9,15	9,45	9,80
Digging force SAE	kN	148	116	100	86
	t	15,1	11,8	10,2	8,8
Digging force ISO	kN	155	121	103	88
	t	15,8	12,3	10,5	9,0
Breakout force SAE	kN	160	148	148	148
	t	16,3	15,1	15,1	15,1
Breakout force ISO	kN	178	165	165	165
	t	18,2	16,8	16,8	16,8

Operating Weight and Ground Pressure

Operating weight includes basic machine with gooseneck boom 5,70 m, stick 2,40 m and bucket 1,20 m³.*

* with HD-S undercarriage, bucket capacity = 1,00 m³

Undercarriage		HD-S		HD-SL	
Pad width	mm	500	600	600	750
Weight	kg	23550	23900	23650	24060
Ground pressure	kg/cm ²	0,63	0,54	0,49	0,40

Optional: heavy duty counterweight

(Heavy duty counterweight increases the operating weight by 820 kg and ground pressure by 0,02 kg/cm²)

Buckets

Cutting width	mm	370 ¹⁾	440 ¹⁾	490 ¹⁾	550	620 ²⁾	650	850	1050	1250	1400	1400
Capacity ISO 7451	m ³	0,30	0,35	0,40	0,35	0,30	0,40	0,60	0,80	1,00	1,20	1,40
Max. possible material weight	HD-S t/m ³	1,8	1,8	1,8	1,8	1,8	1,8	1,8	1,8	1,8	1,5	1,2
	HD-SL t/m ³	1,8	1,8	1,8	1,8	1,8	1,8	1,8	1,8	1,8	1,5	1,2
Weight with Liebherr teeth Z 13 ³⁾	kg	–	–	–	500	–	545	640	720	805	870	925
Weight with Liebherr teeth Z 16 ⁴⁾	kg	–	–	–	580	850	630	745	830	950	1040	–
Weight with Bofors teeth	kg	370	390	410	–	–	–	–	–	–	–	–

Max. stick length for machine stability per ISO 10567:

HD-S undercarriage	m	3,70	3,70	3,70	3,70	3,70	3,70	3,70	3,70	3,00	2,40	2,40
HD-SL undercarriage	m	3,70	3,70	3,70	3,70	3,70	3,70	3,70	3,70	3,70	3,00	3,00

¹⁾ Bucket with ejector and Bofors teeth

²⁾ Ripper bucket with teeth size Z 16 P

³⁾ Bucket with Liebherr teeth Z 13 (for applications up to surface class 5, heavy soils)

⁴⁾ Bucket with Liebherr teeth Z 16 (for applications over surface class 6, easy diggable material)

When digging in highly abrasive materials, buckets must be protected by appropriate wear material. Optional side cutters with teeth 13 or 16 increase cutting width by approx. 120 mm.

- Weld-on set of adapters
- Set of bolt-on side cutters

Lift Capacities

with Gooseneck Boom 5,70 m

Stick 1,80 m

Height (m)	Under-carriage	Radius of load from centerline of machine (m)				
		3,0	4,5	6,0	7,5	9,0
9,0	HD-S					
	HD-SL					
7,5	HD-S					
	HD-SL					
6,0	HD-S			4,2 (5,4#)		
	HD-SL			5,1 (5,4#)		
4,5	HD-S		6,5 (7,0#)	4,0 (5,8#)		
	HD-SL		7,0# (7,0#)	4,9 (5,8#)		
3,0	HD-S		5,7 (8,7#)	3,7 (6,5#)	2,6 (4,8)	
	HD-SL		7,1 (8,6#)	4,6 (6,5#)	3,2 (5,3)	
1,5	HD-S		5,1 (9,9#)	3,4 (6,6)	2,4 (4,7)	
	HD-SL		6,5 (9,9#)	4,3 (7,1#)	3,0 (5,2)	
0	HD-S		4,9 (10,2)	3,3 (6,4)	2,3 (4,6)	
	HD-SL		6,2 (10,2#)	4,1 (7,1)	3,0 (5,1)	
-1,5	HD-S	9,4 (12,6#)	4,9 (9,7#)	3,2 (6,4)		
	HD-SL	12,5 (12,5#)	6,2 (9,7#)	4,1 (7,1)		
-3,0	HD-S	9,7 (11,2#)	5,0 (8,4#)	3,3 (6,1#)		
	HD-SL	11,2# (11,2#)	6,4 (8,4#)	4,2 (6,1#)		
-4,5	HD-S					
	HD-SL					
-6,0	HD-S					
	HD-SL					

Stick 2,40 m

Height (m)	Under-carriage	Radius of load from centerline of machine (m)				
		3,0	4,5	6,0	7,5	9,0
9,0	HD-S					
	HD-SL					
7,5	HD-S					
	HD-SL					
6,0	HD-S			4,4 (4,8#)		
	HD-SL			4,8# (4,8#)		
4,5	HD-S			4,1 (5,3#)	2,7 (4,2#)	
	HD-SL			5,0 (5,3#)	3,4 (4,2#)	
3,0	HD-S	10,8 (13,2#)	6,0 (8,0#)	3,8 (6,1#)	2,6 (4,9)	
	HD-SL	13,2# (13,2#)	7,4 (7,9#)	4,7 (6,1#)	3,2 (5,1#)	
1,5	HD-S	5,2# (5,2#)	5,3 (9,4#)	3,5 (6,7)	2,4 (4,7)	
	HD-SL	5,2# (5,2#)	6,7 (9,4#)	4,4 (6,8#)	3,1 (5,2)	
0	HD-S	7,6# (7,6#)	4,9 (10,1#)	3,3 (6,4)	2,3 (4,6)	
	HD-SL	7,6# (7,6#)	6,3 (10,1#)	4,1 (7,1)	2,9 (5,0)	
-1,5	HD-S	9,2 (11,3#)	4,8 (10,0#)	3,2 (6,3)	2,3 (4,5)	
	HD-SL	11,2# (11,2#)	6,2 (10,0#)	4,0 (7,0)	2,9 (5,0)	
-3,0	HD-S	9,5 (12,7#)	4,9 (9,0#)	3,2 (6,4)		
	HD-SL	12,6 (12,7#)	6,3 (9,0#)	4,0 (6,6#)		
-4,5	HD-S	9,4# (9,4#)	5,2 (6,8#)			
	HD-SL	9,5# (9,5#)	6,5 (6,9#)			
-6,0	HD-S					
	HD-SL					

Stick 3,00 m

Height (m)	Under-carriage	Radius of load from centerline of machine (m)				
		3,0	4,5	6,0	7,5	9,0
9,0	HD-S					
	HD-SL					
7,5	HD-S					
	HD-SL					
6,0	HD-S				2,9 (2,9#)	
	HD-SL				2,9# (2,9#)	
4,5	HD-S			4,2 (4,8#)	2,8 (4,4#)	
	HD-SL			4,8# (4,8#)	3,4 (4,4#)	
3,0	HD-S	11,0# (11,0#)	6,2 (7,1#)	3,9 (5,6#)	2,6 (4,8#)	
	HD-SL	11,0# (11,0#)	7,1# (7,1#)	4,8 (5,6#)	3,3 (4,8#)	
1,5	HD-S	8,3# (8,3#)	5,5 (8,8#)	3,5 (6,4#)	2,4 (4,7)	
	HD-SL	8,3# (8,3#)	6,9 (8,8#)	4,4 (6,4#)	3,1 (5,2)	
0	HD-S	7,9# (7,9#)	5,0 (9,9#)	3,3 (6,5)	2,3 (4,5)	
	HD-SL	7,9# (7,9#)	6,3 (9,9#)	4,1 (7,0#)	2,9 (5,0)	
-1,5	HD-S	9,1 (10,2#)	4,8 (10,1#)	3,1 (6,3)	2,2 (4,4)	
	HD-SL	10,1# (10,1#)	6,1 (10,1#)	4,0 (7,0)	2,8 (4,9)	
-3,0	HD-S	9,3 (13,6#)	4,8 (9,4#)	3,1 (6,3)		
	HD-SL	12,3 (13,6#)	6,1 (9,5#)	3,9 (6,9#)		
-4,5	HD-S	9,6 (11,2#)	5,0 (7,9#)	3,2 (5,6#)		
	HD-SL	11,2# (11,2#)	6,3 (7,9#)	4,1 (5,6#)		
-6,0	HD-S					
	HD-SL					

Stick 3,70 m

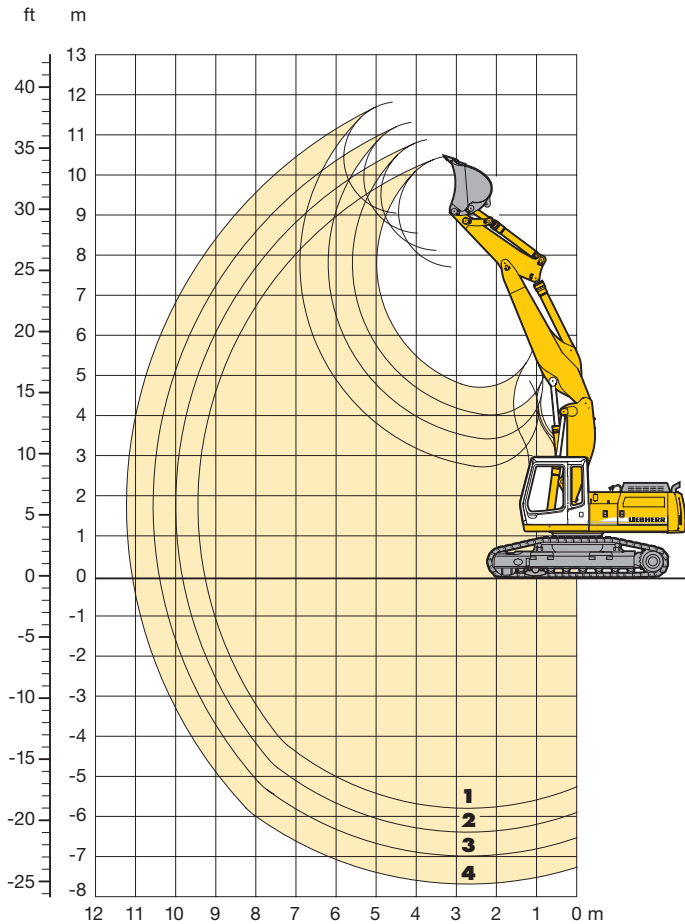
Height (m)	Under-carriage	Radius of load from centerline of machine (m)				
		3,0	4,5	6,0	7,5	9,0
9,0	HD-S					
	HD-SL					
7,5	HD-S				1,9# (1,9#)	
	HD-SL				1,9# (1,9#)	
6,0	HD-S				3,0 (3,2#)	
	HD-SL				3,2# (3,2#)	
4,5	HD-S				2,9 (3,9#)	1,9 (2,0#)
	HD-SL				3,5 (3,9#)	1,9# (1,9#)
3,0	HD-S			4,0 (5,0#)	2,7 (4,3#)	1,8 (2,9#)
	HD-SL			4,9 (5,0#)	3,3 (4,3#)	2,3 (2,9#)
1,5	HD-S	10,6 (13,3#)	5,7 (8,0#)	3,6 (5,9#)	2,5 (4,8)	1,7 (3,4#)
	HD-SL	13,2# (13,2#)	7,2 (8,0#)	4,5 (5,9#)	3,1 (4,8#)	2,2 (3,4#)
0	HD-S	8,6# (8,6#)	5,1 (9,4#)	3,3 (6,5)	2,3 (4,6)	1,6 (3,4)
	HD-SL	8,6# (8,6#)	6,5 (9,4#)	4,2 (6,7#)	2,9 (5,0)	2,1 (3,4#)
-1,5	HD-S	9,1 (9,5#)	4,8 (10,0#)	3,1 (6,3)	2,2 (4,4)	
	HD-SL	9,5# (9,5#)	6,1 (10,0#)	4,0 (7,0)	2,8 (4,9)	
-3,0	HD-S	9,1 (11,9#)	4,7 (9,8#)	3,0 (6,2)	2,1 (4,4)	
	HD-SL	11,9# (11,9#)	6,0 (9,8#)	3,9 (6,9)	2,7 (4,8)	
-4,5	HD-S	9,4 (12,8#)	4,8 (8,7#)	3,1 (6,3)		
	HD-SL	12,4 (12,8#)	6,1 (8,7#)	3,9 (6,3#)		
-6,0	HD-S	9,1# (9,1#)	5,1 (6,3#)			
	HD-SL	9,1# (9,1#)	6,3# (6,3#)			

The lift capacities are stated in metric tonnes (t) on the backhoe bucket's load hook, and can be lifted 360° on firm, level supporting surface. Values quoted in brackets are valid for the undercarriage when in longitudinal position. Capacities are valid for 600 mm wide triple grouser pads. Indicated loads are based on ISO 10567 standard and do not exceed 75 % of tipping or 87 % of hydraulic capacity (indicated via #). Maximum load for the backhoe bucket's load hook is 12 t. Without bucket (0,80 m³), the lift capacities will increase by 720 kg, without bucket cylinder, link and lever they increase by an additional 340 kg. Lifting capacity of the excavator is limited by machine stability, hydraulic capacity and maximum permissible load of the load hook.

When lifting loads, the hydraulic excavator must be equipped with automatic check valve on its hoist cylinders and overload warning device according to European Standard, EN 474-5.

Backhoe Attachment

with Hydr. Adjustable Main Boom 4,00 m



Digging Envelope		1	2	3	4
Stick lengths	m	1,80	2,40	3,00	3,70
Max. digging depth	m	5,65	6,25	6,85	7,55
Max. reach at ground level	m	9,20	9,75	10,30	11,00
Max. dump height	m	7,70	8,10	8,55	9,10
Max. teeth height	m	10,45	10,85	11,30	11,80
Digging force SAE	kN	148	116	100	86
	t	15,1	11,8	10,2	8,8
Digging force ISO	kN	155	121	103	88
	t	15,8	12,3	10,5	9,0
Breakout force SAE	kN	160	148	148	148
	t	16,3	15,1	15,1	15,1
Breakout force ISO	kN	178	165	165	165
	t	18,2	16,8	16,8	16,8

Operating Weight and Ground Pressure

Operating weight includes basic machine with hydraulically adjustable main boom 4,00 m, stick 2,40 m and bucket 1,20 m³.*

* with HD-S undercarriage, bucket capacity = 1,00 m³

Undercarriage		HD-S		HD-SL	
Pad width	mm	500	600	600	750
Weight	kg	24550	24900	25640	25050
Ground pressure	kg/cm ²	0,66	0,56	0,51	0,42

Optional: heavy duty counterweight
(Heavy duty counterweight increases the operating weight by 820 kg and ground pressure by 0,02 kg/cm²)

Buckets

Cutting width	mm	370 ¹⁾	440 ¹⁾	490 ¹⁾	550	620 ²⁾	650	850	1050	1250	1400	1400
Capacity ISO 7451	m ³	0,30	0,35	0,40	0,35	0,30	0,40	0,60	0,80	1,00	1,20	1,40
Max. possible material weight	HD-S t/m ³	1,8	1,8	1,8	1,8	1,8	1,8	1,8	1,8	1,8	1,5	1,2
	HD-SL t/m ³	1,8	1,8	1,8	1,8	1,8	1,8	1,8	1,8	1,8	1,5	1,2
Weight with Liebherr teeth Z 13 ³⁾	kg	–	–	–	500	–	545	640	720	805	870	925
Weight with Liebherr teeth Z 16 ⁴⁾	kg	–	–	–	580	850	630	745	830	950	1040	–
Weight with Bofors teeth	kg	370	390	410	–	–	–	–	–	–	–	–

Max. stick length for machine stability per ISO 10567:

HD-S undercarriage	3,70	3,70	3,70	3,70	3,70	3,70	3,70	3,00	2,40	1,80	1,80
HD-SL undercarriage	3,70	3,70	3,70	3,70	3,70	3,70	3,70	3,70	3,00	2,40	2,40

¹⁾ Bucket with ejector and Bofors teeth

²⁾ Ripper bucket with teeth size Z 16 P

³⁾ Bucket with Liebherr teeth Z 13 (for applications up to surface class 5, heavy soils)

⁴⁾ Bucket with Liebherr teeth Z 16 (for applications over surface class 6, easy diggable material)

When digging in highly abrasive materials, buckets must be protected by appropriate wear material. Optional side cutters with teeth 13 or 16 increase cutting width by approx. 120 mm.

- Weld-on set of adapters
- Set of bolt-on side cutters

Lift Capacities

with Hydr. Adjustable Main Boom 4,00 m

Stick 1,80 m

Height (m)	Under-carriage	Radius of load from centerline of machine (m)				
		3,0	4,5	6,0	7,5	9,0
9,0	HD-S					
	HD-SL					
7,5	HD-S		7,3 (7,3#)	4,2 (5,3#)		
	HD-SL		7,3# (7,3#)	5,2 (5,2#)		
6,0	HD-S		7,0 (7,8#)	4,4 (6,3#)		
	HD-SL		7,8# (7,8#)	5,3 (6,3#)		
4,5	HD-S	12,0 (12,9#)	6,7# (8,7#)	4,4 (6,6#)	2,6 (5,0)	
	HD-SL	12,8# (12,8#)	7,9 (8,7#)	5,2 (6,6#)	3,3 (5,4)	
3,0	HD-S	11,4 (12,8#)	6,5 (9,6#)	4,3 (6,8#)	2,6 (4,9)	
	HD-SL	12,7# (12,7#)	7,6 (9,6#)	5,1# (7,0#)	3,2 (5,3#)	
1,5	HD-S	11,4 (13,8#)	6,4 (9,8#)	4,0 (6,8#)	2,4 (4,7)	
	HD-SL	13,8# (13,8#)	7,5 (9,8#)	4,9 (7,1#)	3,0 (5,2)	
0	HD-S	10,6 (15,7#)	5,8 (9,9#)	3,6 (6,9#)	2,2 (4,5)	
	HD-SL	13,9 (15,7#)	7,3 (9,9#)	4,5 (7,2#)	2,9 (5,0)	
-1,5	HD-S	10,3 (16,3#)	5,5 (10,2#)	3,3 (6,6)	2,1 (4,4)	
	HD-SL	13,5 (16,3#)	7,0 (10,2#)	4,2 (7,3)	2,7 (4,5#)	
-3,0	HD-S	10,3 (16,4#)	5,2 (9,8#)	3,1 (5,6#)		
	HD-SL	13,6 (16,4#)	6,6 (9,8#)	4,0 (5,7#)		
-4,5	HD-S	9,5# (9,5#)	4,4# (4,4#)			
	HD-SL	9,6# (9,6#)	4,4# (4,4#)			
-6,0	HD-S					
	HD-SL					

Stick 2,40 m

Height (m)	Under-carriage	Radius of load from centerline of machine (m)				
		3,0	4,5	6,0	7,5	9,0
9,0	HD-S					
	HD-SL					
7,5	HD-S			4,4 (4,8#)		
	HD-SL			4,8# (4,8#)		
6,0	HD-S		7,1# (7,1#)	4,5 (5,9#)	2,8 (4,1#)	
	HD-SL		7,1# (7,1#)	5,3 (5,9#)	3,4 (4,0#)	
4,5	HD-S	12,3# (12,3#)	6,8 (8,2#)	4,4 (6,3#)	2,8 (5,0)	
	HD-SL	12,2# (12,2#)	7,9 (8,2#)	5,2 (6,3#)	3,4 (5,2#)	
3,0	HD-S	11,6 (13,0#)	6,5 (9,3#)	4,3 (6,8#)	2,7 (5,0)	
	HD-SL	12,9# (12,9#)	7,6 (9,3#)	5,0 (6,8#)	3,4 (5,3#)	
1,5	HD-S	11,3# (13,5#)	6,4 (9,8#)	4,2 (6,7#)	2,6 (4,9)	
	HD-SL	13,6# (13,6#)	7,4 (9,8#)	5,0 (7,0#)	3,2 (5,3)	
0	HD-S	10,9 (15,0#)	6,0 (9,8#)	3,9 (6,8)	2,3 (4,7)	
	HD-SL	13,9# (15,0#)	7,4 (9,8#)	4,8 (7,1#)	3,0 (5,1)	
-1,5	HD-S	10,3 (16,0#)	5,6 (10,0#)	3,5 (6,8)	2,1 (4,4)	
	HD-SL	13,6 (16,0#)	7,0 (10,0#)	4,4 (7,3#)	2,8 (4,9)	
-3,0	HD-S	10,2 (16,5#)	5,3 (10,4#)	3,1 (6,4)		
	HD-SL	13,4 (16,5#)	6,7 (10,4#)	4,0 (6,7#)		
-4,5	HD-S	10,1 (13,3#)	5,0 (7,1#)	2,8# (2,8#)		
	HD-SL	13,3 (13,4#)	6,4 (7,2#)	2,9# (2,9#)		
-6,0	HD-S					
	HD-SL					

Stick 3,00 m

Height (m)	Under-carriage	Radius of load from centerline of machine (m)				
		3,0	4,5	6,0	7,5	9,0
9,0	HD-S			2,7# (2,7#)		
	HD-SL			2,6# (2,6#)		
7,5	HD-S			4,4# (4,4#)	2,4# (2,4#)	
	HD-SL			4,4# (4,4#)	2,3# (2,3#)	
6,0	HD-S			4,6 (5,3#)	3,0 (4,3#)	
	HD-SL			5,2# (5,2#)	3,6 (4,3#)	
4,5	HD-S		6,9 (7,5#)	4,4 (5,9#)	3,0 (4,9#)	1,8 (2,5#)
	HD-SL		7,5# (7,5#)	5,2 (5,9#)	3,6 (4,9#)	2,3 (2,5#)
3,0	HD-S	11,7 (13,5#)	6,5 (8,8#)	4,3 (6,5#)	2,9 (4,9#)	1,7 (3,5)
	HD-SL	13,5# (13,5#)	7,6# (8,8#)	5,0 (6,5#)	3,5 (5,2#)	2,2 (3,8)
1,5	HD-S	11,3# (13,0#)	6,3 (9,6#)	4,2 (6,7)	2,7 (4,9#)	1,6 (3,4)
	HD-SL	13,0# (13,0#)	7,4# (9,6#)	4,9 (6,9#)	3,3 (5,2#)	2,1 (3,7)
0	HD-S	11,4 (14,2#)	6,1 (9,7#)	3,9 (6,6#)	2,5 (4,8)	1,5 (3,3)
	HD-SL	13,7 (14,2#)	7,4# (9,7#)	4,8 (7,0)	3,1 (5,2)	2,0 (3,6)
-1,5	HD-S	10,5 (15,7#)	5,6 (9,8#)	3,6 (6,8#)	2,2 (4,5)	
	HD-SL	13,7 (15,7#)	7,1 (9,8#)	4,5 (7,0#)	2,9 (5,0)	
-3,0	HD-S	10,1 (16,3#)	5,4 (10,2#)	3,3 (6,5)	2,0 (4,3)	
	HD-SL	13,4 (16,3#)	6,8 (10,2#)	4,1 (7,3#)	2,7 (4,7#)	
-4,5	HD-S	10,2 (15,7#)	5,1 (9,2#)	3,0 (5,1#)		
	HD-SL	13,4 (15,7#)	6,4 (9,2#)	3,9 (5,1#)		
-6,0	HD-S					
	HD-SL					

Stick 3,70 m

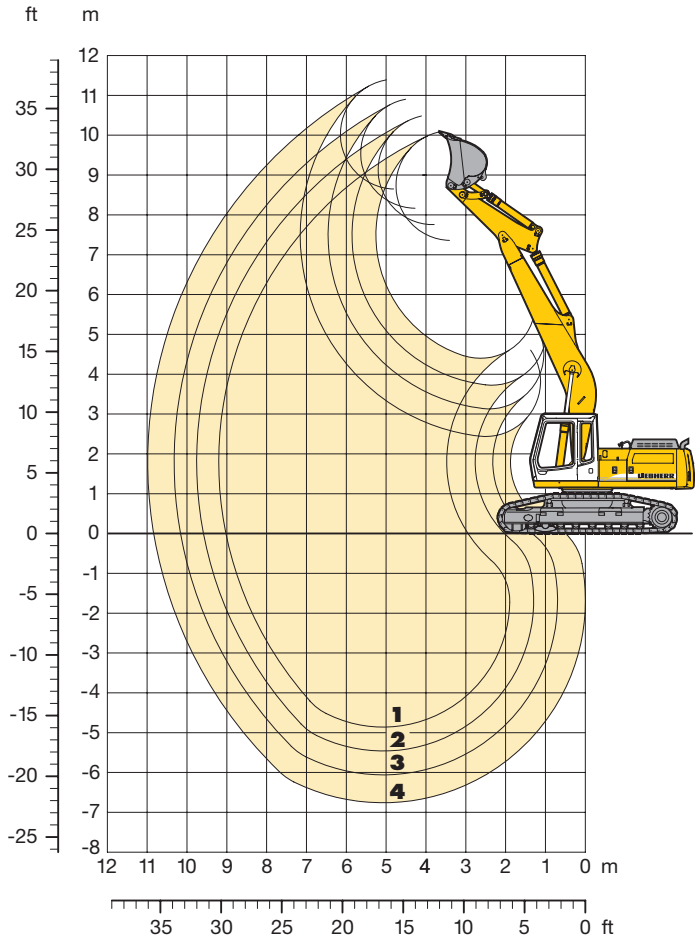
Height (m)	Under-carriage	Radius of load from centerline of machine (m)				
		3,0	4,5	6,0	7,5	9,0
9,0	HD-S			3,2# (3,2#)		
	HD-SL			3,2# (3,2#)		
7,5	HD-S				3,0 (3,0#)	
	HD-SL				3,0# (3,0#)	
6,0	HD-S			4,1# (4,1#)	3,1# (3,8#)	1,9 (2,2#)
	HD-SL			4,1# (4,1#)	3,6# (3,8#)	2,2# (2,2#)
4,5	HD-S			4,5 (5,1#)	3,1 (4,6#)	1,9 (3,3#)
	HD-SL			5,0# (5,0#)	3,7 (4,6#)	2,4 (3,3#)
3,0	HD-S	12,1# (12,6#)	6,6 (8,1#)	4,3 (6,1#)	3,0 (4,9)	1,9 (3,6)
	HD-SL	12,5# (12,5#)	7,8 (8,1#)	5,0 (6,1#)	3,6 (4,9#)	2,4 (3,9)
1,5	HD-S	11,5# (13,0#)	6,3 (9,2#)	4,2 (6,6#)	2,9 (4,8)	1,8 (3,5)
	HD-SL	13,0# (13,0#)	7,4 (9,2#)	4,9 (6,6#)	3,5 (5,1)	2,3 (3,8)
0	HD-S	11,3 (13,6#)	6,3# (9,6#)	4,0 (6,5)	2,7 (4,8#)	1,6 (3,3)
	HD-SL	13,5# (13,7#)	7,3 (9,6#)	4,9# (6,9#)	3,3 (5,1#)	2,1 (3,7#)
-1,5	HD-S	10,8 (15,0#)	5,8 (9,7#)	3,7 (6,6#)	2,4 (4,7)	1,5 (3,2)
	HD-SL	13,8# (15,0#)	7,2 (9,7#)	4,6 (6,9#)	3,0 (5,1)	2,0 (3,6)
-3,0	HD-S	10,2 (15,9#)	5,4 (9,9#)	3,4 (6,7)	2,1 (4,4)	
	HD-SL	13,4 (15,9#)	6,8 (9,9#)	4,3 (7,1#)	2,8 (4,9)	
-4,5	HD-S	10,1 (16,3#)	5,2 (10,3#)	3,1 (6,4)	2,0 (3,6#)	
	HD-SL	13,3 (16,3#)	6,6 (10,3#)	4,0 (6,7#)	2,6 (3,7#)	
-6,0	HD-S	9,9 (12,3#)	4,9 (6,6#)			
	HD-SL	12,3# (12,3#)	6,3 (6,6#)			

The lift capacities are stated in metric tonnes (t) on the backhoe bucket's load hook, and can be lifted 360° on firm, level supporting surface. Values quoted in brackets are valid for the undercarriage when in longitudinal position. Capacities are valid for 600 mm wide triple grouser pads with adjusting cylinder in optimal position. Indicated loads are based on ISO 10567 standard and do not exceed 75 % of tipping or 87 % of hydraulic capacity (indicated via #). Maximum load for the backhoe bucket's load hook is 12 t. Without bucket (0,80 m³), the lift capacities will increase by 720 kg, without bucket cylinder, link and lever they increase by an additional 340 kg. Lifting capacity of the excavator is limited by machine stability, hydraulic capacity and maximum permissible load of the load hook.

When lifting loads, the hydraulic excavator must be equipped with automatic check valve on its hoist cylinders and overload warning device according to European Standard, EN 474-5.

Backhoe Attachment

with Straight Gooseneck Boom 6,00 m



Digging Envelope		1	2	3	4
Stick lengths	m	1,80	2,40	3,00	3,70
Max. digging depth	m	4,80	5,40	6,00	6,70
Max. reach at ground level	m	9,00	9,55	10,15	10,80
Max. dump height	m	7,35	7,75	8,20	8,65
Max. teeth height	m	10,10	10,50	10,90	11,40
Digging force SAE	kN	148	116	100	86
	t	15,1	11,8	10,2	8,8
Digging force ISO	kN	155	121	103	88
	t	15,8	12,3	10,5	9,0
Breakout force SAE	kN	160	148	148	148
	t	16,3	15,1	15,1	15,1
Breakout force ISO	kN	178	165	165	165
	t	18,2	16,8	16,8	16,8

Operating Weight and Ground Pressure

Operating weight includes basic machine with gooseneck boom 6,00 m, stick 2,40 m and bucket 1,20 m³.*

* with HD-S undercarriage, bucket capacity = 1,00 m³

Undercarriage		HD-S	HD-SL
Pad width	mm	500 600	600 750
Weight	kg	23580 23930	23670 24080
Ground pressure	kg/cm ²	0,64 0,54	0,49 0,40

Optional: heavy duty counterweight
(Heavy duty counterweight increases the operating weight by 820 kg and ground pressure by 0,02 kg/cm²)

Buckets

Cutting width	mm	370 ¹⁾	440 ¹⁾	490 ¹⁾	550	620 ²⁾	650	850	1050	1250	1400	1400
Capacity ISO 7451	m ³	0,30	0,35	0,40	0,35	0,30	0,40	0,60	0,80	1,00	1,20	1,40
Max. possible material weight	HD-S t/m ³	1,8	1,8	1,8	1,8	1,8	1,8	1,8	1,8	1,8	1,5	1,2
	HD-SL t/m ³	1,8	1,8	1,8	1,8	1,8	1,8	1,8	1,8	1,8	1,5	1,2
Weight with Liebherr teeth Z 13 ³⁾	kg	–	–	–	500	–	545	640	720	805	870	925
Weight with Liebherr teeth Z 16 ⁴⁾	kg	–	–	–	580	850	630	745	830	950	1040	–
Weight with Bofors teeth	kg	370	390	410	–	–	–	–	–	–	–	–
Max. stick length for machine stability per ISO 10567:												
HD-S undercarriage	m	3,70	3,70	3,70	3,70	3,70	3,70	3,70	3,70	3,00	2,40	2,40
HD-SL undercarriage	m	3,70	3,70	3,70	3,70	3,70	3,70	3,70	3,70	3,70	3,00	3,00

¹⁾ Bucket with ejector and Bofors teeth

²⁾ Ripper bucket with Liebherr teeth Z 16 P

³⁾ Bucket with Liebherr teeth Z 13 (for applications up to surface class 5, heavy soils)

⁴⁾ Bucket with Liebherr teeth Z 16 (for applications over surface class 6, easy diggable material)

When digging in highly abrasive materials, buckets must be protected by appropriate wear material. Optional side cutters with teeth 13 or 16 increase cutting width by approx. 120 mm.

- Weld-on set of adapters
- Set of bolt-on side cutters

Lift Capacities

with Straight Gooseneck Boom 6,00 m

Stick 1,80 m

Height (m)	Under-carriage	Radius of load from centerline of machine (m)				
		3,0	4,5	6,0	7,5	9,0
9,0	HD-S					
	HD-SL					
7,5	HD-S					
	HD-SL					
6,0	HD-S		6,8 (7,3#)	4,2 (6,1#)		
	HD-SL		7,3# (7,3#)	5,0 (6,1#)		
4,5	HD-S	11,7 (12,8#)	6,2 (8,4#)	3,9 (6,5#)	2,6 (4,9)	
	HD-SL	12,8# (12,8#)	7,7 (8,3#)	4,8 (6,5#)	3,2 (5,4)	
3,0	HD-S		5,4 (9,6#)	3,6 (6,8)	2,5 (4,7)	
	HD-SL		6,8 (9,6#)	4,5 (7,0#)	3,1 (5,2)	
1,5	HD-S		4,9 (10,2#)	3,3 (6,5)	2,3 (4,6)	
	HD-SL		6,2 (10,2#)	4,1 (7,2)	3,0 (5,1)	
0	HD-S		4,7 (9,7#)	3,1 (6,3)	2,3 (4,5)	
	HD-SL		6,1 (9,7#)	4,0 (7,0)	2,9 (5,0)	
-1,5	HD-S	9,4 (9,5#)	4,7 (8,5#)	3,1 (6,3)		
	HD-SL	9,5# (9,5#)	6,1 (8,5#)	3,9 (6,6#)		
-3,0	HD-S		4,9 (6,6#)	3,2 (5,0#)		
	HD-SL		6,3 (6,6#)	4,1 (5,1#)		
-4,5	HD-S					
	HD-SL					
-6,0	HD-S					
	HD-SL					

Stick 2,40 m

Height (m)	Under-carriage	Radius of load from centerline of machine (m)				
		3,0	4,5	6,0	7,5	9,0
9,0	HD-S					
	HD-SL					
7,5	HD-S			4,3 (4,5#)		
	HD-SL			4,4# (4,4#)		
6,0	HD-S			4,3 (5,7#)	2,8 (3,4#)	
	HD-SL			5,2 (5,7#)	3,3# (3,3#)	
4,5	HD-S	11,2# (11,2#)	6,5 (7,7#)	4,0 (6,1#)	2,7 (5,0)	
	HD-SL	11,1# (11,1#)	7,7# (7,7#)	4,9 (6,1#)	3,3 (5,2#)	
3,0	HD-S		5,7 (9,1#)	3,7 (6,7#)	2,5 (4,8)	
	HD-SL		7,1 (9,1#)	4,5 (6,7#)	3,1 (5,3)	
1,5	HD-S		5,0 (10,0#)	3,3 (6,5)	2,3 (4,6)	
	HD-SL		6,4 (10,0#)	4,2 (7,2#)	3,0 (5,1)	
0	HD-S	5,2# (5,2#)	4,7 (10,0#)	3,1 (6,3)	2,2 (4,5)	
	HD-SL	5,2# (5,2#)	6,1 (10,0#)	4,0 (7,0)	2,8 (4,9)	
-1,5	HD-S	9,1# (9,1#)	4,7 (9,1#)	3,1 (6,2)	2,2 (4,4)	
	HD-SL	9,1# (9,1#)	6,0 (9,1#)	3,9 (6,8#)	2,8 (4,9)	
-3,0	HD-S	9,3# (9,3#)	4,8 (7,5#)	3,1 (5,7#)		
	HD-SL	9,3# (9,3#)	6,1 (7,5#)	4,0 (5,7#)		
-4,5	HD-S		4,8# (4,8#)			
	HD-SL		4,8# (4,8#)			
-6,0	HD-S					
	HD-SL					

Stick 3,00 m

Height (m)	Under-carriage	Radius of load from centerline of machine (m)				
		3,0	4,5	6,0	7,5	9,0
9,0	HD-S					
	HD-SL					
7,5	HD-S			4,3# (4,3#)		
	HD-SL			4,3# (4,3#)		
6,0	HD-S			4,4 (5,0#)	2,8 (4,0#)	
	HD-SL			5,0# (5,0#)	3,5 (3,9#)	
4,5	HD-S		6,7 (6,9#)	4,1 (5,7#)	2,7 (4,9#)	
	HD-SL		6,8# (6,8#)	5,0 (5,7#)	3,3 (4,9#)	
3,0	HD-S	11,0 (13,6#)	5,9 (8,5#)	3,7 (6,4#)	2,5 (4,8)	1,8 (3,2#)
	HD-SL	13,5# (13,5#)	7,4 (8,4#)	4,6 (6,4#)	3,2 (5,2#)	2,2 (3,2#)
1,5	HD-S	4,7# (4,7#)	5,2 (9,7#)	3,4 (6,6)	2,3 (4,6)	1,7 (3,4)
	HD-SL	4,7# (4,7#)	6,6 (9,7#)	4,2 (7,0#)	3,0 (5,1)	2,1 (3,7)
0	HD-S	5,7# (5,7#)	4,8 (10,0#)	3,1 (6,3)	2,2 (4,4)	1,6 (3,3)
	HD-SL	5,6# (5,6#)	6,1 (10,0#)	4,0 (7,0)	2,8 (4,9)	2,1 (3,5#)
-1,5	HD-S	8,2# (8,2#)	4,6 (9,5#)	3,0 (6,1)	2,1 (4,4)	
	HD-SL	8,2# (8,2#)	6,0 (9,5#)	3,8 (6,8)	2,7 (4,8)	
-3,0	HD-S	9,1 (11,1#)	4,7 (8,2#)	3,0 (6,2)	2,1 (4,4)	
	HD-SL	11,1# (11,1#)	6,0 (8,3#)	3,8 (6,2#)	2,8 (4,5#)	
-4,5	HD-S	7,6# (7,6#)	4,9 (6,0#)	3,1 (4,4#)		
	HD-SL	7,7# (7,7#)	6,1# (6,1#)	4,0 (4,4#)		
-6,0	HD-S					
	HD-SL					

Stick 3,70 m

Height (m)	Under-carriage	Radius of load from centerline of machine (m)				
		3,0	4,5	6,0	7,5	9,0
9,0	HD-S					
	HD-SL					
7,5	HD-S				2,8# (2,8#)	
	HD-SL				2,8# (2,8#)	
6,0	HD-S				2,9 (3,6#)	1,8# (1,8#)
	HD-SL				3,6 (3,6#)	1,8# (1,8#)
4,5	HD-S			4,3 (4,7#)	2,8 (4,3#)	1,9 (3,0#)
	HD-SL			4,7# (4,7#)	3,4 (4,3#)	2,4 (3,0#)
3,0	HD-S	11,5# (11,5#)	6,3 (7,6#)	3,9 (5,9#)	2,6 (4,9#)	1,8 (3,5)
	HD-SL	11,4# (11,4#)	7,6# (7,6#)	4,8 (5,9#)	3,2 (4,9#)	2,3 (3,8#)
1,5	HD-S	7,9# (7,9#)	5,4 (9,1#)	3,5 (6,6#)	2,4 (4,7)	1,7 (3,4)
	HD-SL	8,0# (8,0#)	6,9 (9,1#)	4,4 (6,6#)	3,0 (5,1)	2,2 (3,8)
0	HD-S	6,2# (6,2#)	4,9 (9,9#)	3,2 (6,4)	2,2 (4,4)	1,6 (3,3)
	HD-SL	6,2# (6,2#)	6,2 (9,9#)	4,0 (7,1)	2,8 (4,9)	2,1 (3,6)
-1,5	HD-S	7,6# (7,6#)	4,6 (9,8#)	3,0 (6,1)	2,1 (4,3)	1,5 (3,2)
	HD-SL	7,6# (7,6#)	6,0 (9,8#)	3,8 (6,8)	2,7 (4,8)	2,0 (3,6)
-3,0	HD-S	8,9 (10,0#)	4,6 (8,9#)	2,9 (6,1)	2,1 (4,3)	
	HD-SL	10,0# (10,0#)	5,9 (9,0#)	3,8 (6,6#)	2,7 (4,7)	
-4,5	HD-S	9,2 (9,8#)	4,7 (7,2#)	3,0 (5,3#)	2,1 (3,6#)	
	HD-SL	9,9# (9,9#)	6,0 (7,2#)	3,8 (5,3#)	2,8 (3,7#)	
-6,0	HD-S					
	HD-SL					

The lift capacities are stated in metric tonnes (t) on the backhoe bucket's load hook, and can be lifted 360° on firm, level supporting surface. Values quoted in brackets are valid for the undercarriage when in longitudinal position. Capacities are valid for 600 mm wide triple grouser pads. Indicated loads are based on ISO 10567 standard and do not exceed 75 % of tipping or 87 % of hydraulic capacity (indicated via #). Maximum load for the backhoe bucket's load hook is 12 t. Without bucket (0,80 m³), the lift capacities will increase by 720 kg, without bucket cylinder, link and lever they increase by an additional 340 kg. Lifting capacity of the excavator is limited by machine stability, hydraulic capacity and maximum permissible load of the load hook.

When lifting loads, the hydraulic excavator must be equipped with automatic check valve on its hoist cylinders and overload warning device according to European Standard, EN 474-5.

Lift Capacities

with Gooseneck Boom 5,70 m and Heavy Counterweight

Stick 1,80 m

Height (m)	Under-carriage	Radius of load from centerline of machine (m)				
		3,0	4,5	6,0	7,5	9,0
9,0	HD-S					
	HD-SL					
7,5	HD-S					
	HD-SL					
6,0	HD-S			4,7 (5,4#)		
	HD-SL			5,4# (5,4#)		
4,5	HD-S		7,0# (7,0#)	4,5 (5,8#)		
	HD-SL		7,0# (7,0#)	5,5 (5,8#)		
3,0	HD-S		6,4 (8,7#)	4,2 (6,5#)	2,9 (5,3)	
	HD-SL		7,9 (8,6#)	5,1 (6,5#)	3,6 (5,4#)	
1,5	HD-S		5,8 (9,9#)	3,9 (7,1#)	2,8 (5,2)	
	HD-SL		7,3 (9,9#)	4,8 (7,1#)	3,4 (5,7)	
0	HD-S		5,6 (10,2#)	3,7 (7,1)	2,7 (5,1)	
	HD-SL		7,0 (10,2#)	4,6 (7,4#)	3,4 (5,6)	
-1,5	HD-S	10,6 (12,6#)	5,6 (9,7#)	3,7 (7,0)		
	HD-SL	12,5# (12,5#)	7,0 (9,7#)	4,6 (7,2#)		
-3,0	HD-S	10,9 (11,2#)	5,7 (8,4#)	3,8 (6,1#)		
	HD-SL	11,2# (11,2#)	7,1 (8,4#)	4,7 (6,1#)		
-4,5	HD-S					
	HD-SL					
-6,0	HD-S					
	HD-SL					

Stick 2,40 m

Height (m)	Under-carriage	Radius of load from centerline of machine (m)				
		3,0	4,5	6,0	7,5	9,0
9,0	HD-S					
	HD-SL					
7,5	HD-S					
	HD-SL					
6,0	HD-S			4,8# (4,8#)		
	HD-SL			4,8# (4,8#)		
4,5	HD-S			4,6 (5,3#)	3,1 (4,2#)	
	HD-SL			5,3# (5,3#)	3,8 (4,2#)	
3,0	HD-S	12,1 (13,2#)	6,7 (8,0#)	4,3 (6,1#)	3,0 (5,1#)	
	HD-SL	13,2# (13,2#)	7,9# (7,9#)	5,2 (6,1#)	3,6 (5,1#)	
1,5	HD-S	5,2# (5,2#)	6,0 (9,4#)	4,0 (6,8#)	2,8 (5,2)	
	HD-SL	5,2# (5,2#)	7,4 (9,4#)	4,9 (6,8#)	3,5 (5,5#)	
0	HD-S	7,6# (7,6#)	5,6 (10,1#)	3,7 (7,1)	2,7 (5,0)	
	HD-SL	7,6# (7,6#)	7,1 (10,1#)	4,6 (7,3#)	3,3 (5,5)	
-1,5	HD-S	10,5 (11,3#)	5,5 (10,0#)	3,6 (7,0)	2,6 (5,0)	
	HD-SL	11,2# (11,2#)	6,9 (10,0#)	4,5 (7,3#)	3,3 (5,5)	
-3,0	HD-S	10,7 (12,7#)	5,6 (9,0#)	3,7 (6,6#)		
	HD-SL	12,7# (12,7#)	7,0 (9,0#)	4,6 (6,6#)		
-4,5	HD-S	9,4# (9,4#)	5,9 (6,8#)			
	HD-SL	9,5# (9,5#)	6,9# (6,9#)			
-6,0	HD-S					
	HD-SL					

Stick 3,00 m

Height (m)	Under-carriage	Radius of load from centerline of machine (m)				
		3,0	4,5	6,0	7,5	9,0
9,0	HD-S					
	HD-SL					
7,5	HD-S					
	HD-SL					
6,0	HD-S				2,9# (2,9#)	
	HD-SL				2,9# (2,9#)	
4,5	HD-S			4,7 (4,8#)	3,2 (4,4#)	
	HD-SL			4,8# (4,8#)	3,8 (4,4#)	
3,0	HD-S	11,0# (11,0#)	6,9 (7,1#)	4,4 (5,6#)	3,0 (4,8#)	
	HD-SL	11,0# (11,0#)	7,1# (7,1#)	5,3 (5,6#)	3,7 (4,8#)	
1,5	HD-S	8,3# (8,3#)	6,1 (8,8#)	4,0 (6,4#)	2,8 (5,2)	
	HD-SL	8,3# (8,3#)	7,6 (8,8#)	4,9 (6,4#)	3,5 (5,2#)	
0	HD-S	7,9# (7,9#)	5,7 (9,9#)	3,7 (7,0#)	2,6 (5,0)	
	HD-SL	7,9# (7,9#)	7,1 (9,9#)	4,6 (7,0#)	3,3 (5,5)	
-1,5	HD-S	10,2# (10,2#)	5,5 (10,1#)	3,6 (6,9)	2,6 (4,9)	
	HD-SL	10,1# (10,1#)	6,9 (10,1#)	4,5 (7,3#)	3,2 (5,4)	
-3,0	HD-S	10,5 (13,6#)	5,5 (9,4#)	3,6 (6,9#)		
	HD-SL	13,6# (13,6#)	6,9 (9,5#)	4,5 (6,9#)		
-4,5	HD-S	10,9 (11,2#)	5,6 (7,9#)	3,7 (5,6#)		
	HD-SL	11,2# (11,2#)	7,1 (7,9#)	4,6 (5,6#)		
-6,0	HD-S					
	HD-SL					

Stick 3,70 m

Height (m)	Under-carriage	Radius of load from centerline of machine (m)				
		3,0	4,5	6,0	7,5	9,0
9,0	HD-S					
	HD-SL					
7,5	HD-S				1,9# (1,9#)	
	HD-SL				1,9# (1,9#)	
6,0	HD-S				3,2# (3,2#)	
	HD-SL				3,2# (3,2#)	
4,5	HD-S				3,2 (3,9#)	2,0# (2,0#)
	HD-SL				3,9# (3,9#)	1,9# (1,9#)
3,0	HD-S			4,5 (5,0#)	3,1 (4,3#)	2,1 (2,9#)
	HD-SL			5,0# (5,0#)	3,7 (4,3#)	2,7 (2,9#)
1,5	HD-S	11,8 (13,3#)	6,4 (8,0#)	4,1 (5,9#)	2,8 (4,9#)	2,0 (3,4#)
	HD-SL	13,2# (13,2#)	7,9 (8,0#)	5,1 (5,9#)	3,5 (4,8#)	2,5 (3,4#)
0	HD-S	8,6# (8,6#)	5,8 (9,4#)	3,8 (6,7#)	2,7 (5,0)	1,9 (3,4#)
	HD-SL	8,6# (8,6#)	7,3 (9,4#)	4,7 (6,7#)	3,3 (5,3#)	2,4 (3,4#)
-1,5	HD-S	9,5# (9,5#)	5,5 (10,0#)	3,6 (6,9)	2,5 (4,9)	
	HD-SL	9,5# (9,5#)	6,9 (10,0#)	4,5 (7,1#)	3,2 (5,4)	
-3,0	HD-S	10,3 (11,9#)	5,4 (9,8#)	3,5 (6,8)	2,5 (4,8)	
	HD-SL	11,9# (11,9#)	6,8 (9,8#)	4,4 (7,1#)	3,1 (5,3)	
-4,5	HD-S	10,6 (12,8#)	5,5 (8,7#)	3,6 (6,3#)		
	HD-SL	12,8# (12,8#)	6,9 (8,7#)	4,4 (6,3#)		
-6,0	HD-S	9,1# (9,1#)	5,8 (6,3#)			
	HD-SL	9,1# (9,1#)	6,3# (6,3#)			

The lift capacities are stated in metric tonnes (t) on the backhoe bucket's load hook, and can be lifted 360° on firm, level supporting surface. Values quoted in brackets are valid for the undercarriage when in longitudinal position. Capacities are valid for 600 mm wide triple grouser pads. Indicated loads are based on ISO 10567 standard and do not exceed 75 % of tipping or 87 % of hydraulic capacity (indicated via #). Maximum load for the backhoe bucket's load hook is 12 t. Without bucket (0,80 m³), the lift capacities will increase by 720 kg, without bucket cylinder, link and lever they increase by an additional 340 kg. Lifting capacity of the excavator is limited by machine stability, hydraulic capacity and maximum permissible load of the load hook.

When lifting loads, the hydraulic excavator must be equipped with automatic check valve on its hoist cylinders and overload warning device according to European Standard, EN 474-5.

Lift Capacities

with Hydr. Adjustable Main Boom 4,00 m and Heavy Counterweight

Stick 1,80 m

Height (m)	Under-carriage	Radius of load from centerline of machine (m)				
		3,0	4,5	6,0	7,5	9,0
9,0	HD-S					
	HD-SL					
7,5	HD-S		7,3# (7,3#)	4,7 (5,3#)		
	HD-SL		7,3# (7,3#)	5,2# (5,2#)		
6,0	HD-S		7,6 (7,8#)	4,9 (6,3#)		
	HD-SL		7,8# (7,8#)	5,7# (6,3#)		
4,5	HD-S	12,9# (12,9#)	7,3# (8,7#)	4,8# (6,6#)	3,0 (5,4)	
	HD-SL	12,8# (12,8#)	8,5 (8,7#)	5,6 (6,6#)	3,7 (5,4#)	
3,0	HD-S	12,2 (12,8#)	7,0 (9,6#)	4,8 (7,0#)	2,9 (5,3#)	
	HD-SL	12,7# (12,7#)	8,1 (9,6#)	5,5 (7,0#)	3,6 (5,5#)	
1,5	HD-S	12,4 (13,8#)	7,0 (9,8#)	4,5 (7,1#)	2,8 (5,2)	
	HD-SL	13,8# (13,8#)	8,1 (9,8#)	5,5 (7,1#)	3,4 (5,5#)	
0	HD-S	11,8 (15,7#)	6,5 (9,9#)	4,1 (7,2#)	2,6 (5,0)	
	HD-SL	15,0# (15,7#)	8,1 (9,9#)	5,1 (7,2#)	3,3 (5,5#)	
-1,5	HD-S	11,5 (16,3#)	6,2 (10,2#)	3,8 (7,2)	2,5 (4,5#)	
	HD-SL	14,9 (16,3#)	7,7 (10,2#)	4,7 (7,3#)	3,1 (4,5#)	
-3,0	HD-S	11,6 (16,4#)	5,9 (9,8#)	3,6 (5,6#)		
	HD-SL	15,0 (16,4#)	7,4 (9,8#)	4,5 (5,7#)		
-4,5	HD-S	9,5# (9,5#)	4,4# (4,4#)			
	HD-SL	9,6# (9,6#)	4,4# (4,4#)			
-6,0	HD-S					
	HD-SL					

Stick 2,40 m

Height (m)	Under-carriage	Radius of load from centerline of machine (m)				
		3,0	4,5	6,0	7,5	9,0
9,0	HD-S					
	HD-SL					
7,5	HD-S			4,8# (4,8#)		
	HD-SL			4,8# (4,8#)		
6,0	HD-S		7,1# (7,1#)	5,0 (5,9#)	3,2 (4,1#)	
	HD-SL		7,1# (7,1#)	5,8# (5,9#)	3,8 (4,0#)	
4,5	HD-S	12,3# (12,3#)	7,3 (8,2#)	4,8 (6,3#)	3,2 (5,2#)	
	HD-SL	12,2# (12,2#)	8,2# (8,2#)	5,6 (6,3#)	3,8 (5,2#)	
3,0	HD-S	12,4# (13,0#)	7,0# (9,3#)	4,7 (6,8#)	3,1 (5,3#)	
	HD-SL	12,9# (12,9#)	8,1 (9,3#)	5,5 (6,8#)	3,8 (5,4#)	
1,5	HD-S	12,2 (13,5#)	6,9 (9,8#)	4,7 (7,0#)	2,9 (5,3)	
	HD-SL	13,6# (13,6#)	8,0 (9,8#)	5,4# (7,0#)	3,6 (5,5#)	
0	HD-S	12,2 (15,0#)	6,7 (9,8#)	4,3 (7,1)	2,7 (5,1)	
	HD-SL	14,8 (15,0#)	8,1 (9,8#)	5,3 (7,1#)	3,4 (5,5#)	
-1,5	HD-S	11,6 (16,0#)	6,3 (10,0#)	4,0 (7,3#)	2,5 (4,9)	
	HD-SL	15,0 (16,0#)	7,8 (10,0#)	4,9 (7,3#)	3,2 (5,3#)	
-3,0	HD-S	11,4 (16,5#)	6,0 (10,4#)	3,6 (6,7#)		
	HD-SL	14,9 (16,5#)	7,5 (10,4#)	4,5 (6,7#)		
-4,5	HD-S	11,3 (13,3#)	5,7 (7,1#)	2,8# (2,8#)		
	HD-SL	13,4# (13,4#)	7,2 (7,2#)	2,9# (2,9#)		
-6,0	HD-S					
	HD-SL					

Stick 3,00 m

Height (m)	Under-carriage	Radius of load from centerline of machine (m)				
		3,0	4,5	6,0	7,5	9,0
9,0	HD-S			2,7# (2,7#)		
	HD-SL			2,6# (2,6#)		
7,5	HD-S			4,4# (4,4#)	2,4# (2,4#)	
	HD-SL			4,4# (4,4#)	2,3# (2,3#)	
6,0	HD-S			5,0 (5,3#)	3,3 (4,3#)	
	HD-SL			5,2# (5,2#)	3,9 (4,3#)	
4,5	HD-S		7,4 (7,5#)	4,8 (5,9#)	3,3 (4,9#)	2,1 (2,5#)
	HD-SL		7,5# (7,5#)	5,6# (5,9#)	3,9 (4,9#)	2,5# (2,5#)
3,0	HD-S	12,6# (13,5#)	7,1# (8,8#)	4,7 (6,5#)	3,2 (5,2#)	2,0 (3,8)
	HD-SL	13,5# (13,5#)	8,2 (8,8#)	5,4 (6,5#)	3,9# (5,2#)	2,5 (3,9#)
1,5	HD-S	12,2 (13,0#)	6,8# (9,6#)	4,6 (6,9#)	3,1 (5,2#)	1,9 (3,8)
	HD-SL	13,0# (13,0#)	7,9# (9,6#)	5,3 (6,9#)	3,7 (5,3#)	2,4 (4,1)
0	HD-S	12,4 (14,2#)	6,8 (9,7#)	4,4 (6,9)	2,9 (5,2)	1,8 (3,6)
	HD-SL	14,2# (14,2#)	7,9# (9,7#)	5,3 (7,0#)	3,5 (5,4#)	2,3 (4,0)
-1,5	HD-S	11,7 (15,7#)	6,3 (9,8#)	4,1 (7,0#)	2,6 (5,0)	
	HD-SL	15,0 (15,7#)	7,8 (9,8#)	5,1 (7,0#)	3,3 (5,5#)	
-3,0	HD-S	11,4 (16,3#)	6,1 (10,2#)	3,7 (7,2)	2,4 (4,7#)	
	HD-SL	14,8 (16,3#)	7,6 (10,2#)	4,7 (7,3#)	3,1 (4,7#)	
-4,5	HD-S	11,4 (15,7#)	5,7 (9,2#)	3,5 (5,1#)		
	HD-SL	14,8 (15,7#)	7,2 (9,2#)	4,4 (5,1#)		
-6,0	HD-S					
	HD-SL					

Stick 3,70 m

Height (m)	Under-carriage	Radius of load from centerline of machine (m)				
		3,0	4,5	6,0	7,5	9,0
9,0	HD-S			3,2# (3,2#)		
	HD-SL			3,2# (3,2#)		
7,5	HD-S				3,0# (3,0#)	
	HD-SL				3,0# (3,0#)	
6,0	HD-S			4,1# (4,1#)	3,4 (3,8#)	2,2 (2,2#)
	HD-SL			4,1# (4,1#)	3,8# (3,8#)	2,2# (2,2#)
4,5	HD-S			4,9 (5,1#)	3,4 (4,6#)	2,2 (3,3#)
	HD-SL			5,0# (5,0#)	4,0 (4,6#)	2,7 (3,3#)
3,0	HD-S	12,6# (12,6#)	7,1 (8,1#)	4,7 (6,1#)	3,3 (4,9#)	2,2 (3,9)
	HD-SL	12,5# (12,5#)	8,1# (8,1#)	5,5# (6,1#)	3,9 (4,9#)	2,7 (4,2#)
1,5	HD-S	12,2 (13,0#)	6,8 (9,2#)	4,6 (6,6#)	3,2 (5,1)	2,1 (3,8)
	HD-SL	13,0# (13,0#)	8,0 (9,2#)	5,3 (6,6#)	3,9# (5,2#)	2,6 (4,2)
0	HD-S	12,1# (13,6#)	6,7 (9,6#)	4,5 (6,9#)	3,0 (5,1#)	1,9 (3,7)
	HD-SL	13,7# (13,7#)	7,9 (9,6#)	5,2# (6,9#)	3,7 (5,3#)	2,4 (4,1#)
-1,5	HD-S	12,0 (15,0#)	6,4 (9,7#)	4,2 (6,9#)	2,8 (5,1)	1,8 (3,6)
	HD-SL	14,7 (15,0#)	8,0 (9,7#)	5,1 (6,9#)	3,4 (5,3#)	2,3 (4,0)
-3,0	HD-S	11,4 (15,9#)	6,1 (9,9#)	3,9 (7,1#)	2,5 (4,9)	
	HD-SL	14,9 (15,9#)	7,6 (9,9#)	4,8 (7,1#)	3,2 (5,3#)	
-4,5	HD-S	11,3 (16,3#)	5,9 (10,3#)	3,6 (6,7#)	2,4 (3,6#)	
	HD-SL	14,8 (16,3#)	7,4 (10,3#)	4,5 (6,7#)	3,0 (3,7#)	
-6,0	HD-S	11,2 (12,3#)	5,6 (6,6#)			
	HD-SL	12,3# (12,3#)	6,6# (6,6#)			

The lift capacities are stated in metric tonnes (t) on the backhoe bucket's load hook, and can be lifted 360° on firm, level supporting surface. Values quoted in brackets are valid for the undercarriage when in longitudinal position. Capacities are valid for 600 mm wide triple grouser pads with adjusting cylinder in optimal position. Indicated loads are based on ISO 10567 standard and do not exceed 75 % of tipping or 87 % of hydraulic capacity (indicated via #). Maximum load for the backhoe bucket's load hook is 12 t. Without bucket (0,80 m³), the lift capacities will increase by 720 kg, without bucket cylinder, link and lever they increase by an additional 340 kg. Lifting capacity of the excavator is limited by machine stability, hydraulic capacity and maximum permissible load of the load hook.

When lifting loads, the hydraulic excavator must be equipped with automatic check valve on its hoist cylinders and overload warning device according to European Standard, EN 474-5.

Lift Capacities

with Straight Gooseneck Boom 6,00 m and Heavy Counterweight

Stick 1,80 m

Height (m)	Under-carriage	Radius of load from centerline of machine (m)				
		3,0	4,5	6,0	7,5	9,0
9,0	HD-S					
	HD-SL					
7,5	HD-S					
	HD-SL					
6,0	HD-S		7,3# (7,3#)	4,6 (6,1#)		
	HD-SL		7,3# (7,3#)	5,6 (6,1#)		
4,5	HD-S	12,8# (12,8#)	6,9 (8,4#)	4,4 (6,5#)	3,0 (5,4)	
	HD-SL	12,8# (12,8#)	8,3# (8,3#)	5,3 (6,5#)	3,6 (5,5#)	
3,0	HD-S		6,1 (9,6#)	4,1 (7,0#)	2,8 (5,2)	
	HD-SL		7,6 (9,6#)	5,0 (7,0#)	3,5 (5,7#)	
1,5	HD-S		5,6 (10,2#)	3,8 (7,1)	2,7 (5,1)	
	HD-SL		7,0 (10,2#)	4,7 (7,3#)	3,4 (5,6)	
0	HD-S		5,4 (9,7#)	3,6 (6,9)	2,6 (5,0)	
	HD-SL		6,8 (9,7#)	4,5 (7,2#)	3,3 (5,5)	
-1,5	HD-S	9,5# (9,5#)	5,4 (8,5#)	3,6 (6,5#)		
	HD-SL	9,5# (9,5#)	6,9 (8,5#)	4,5 (6,6#)		
-3,0	HD-S		5,6 (6,6#)	3,7 (5,0#)		
	HD-SL		6,6# (6,6#)	4,6 (5,1#)		
-4,5	HD-S					
	HD-SL					
-6,0	HD-S					
	HD-SL					

Stick 2,40 m

Height (m)	Under-carriage	Radius of load from centerline of machine (m)				
		3,0	4,5	6,0	7,5	9,0
9,0	HD-S					
	HD-SL					
7,5	HD-S			4,5# (4,5#)		
	HD-SL			4,4# (4,4#)		
6,0	HD-S			4,7 (5,7#)	3,1 (3,4#)	
	HD-SL			5,7# (5,7#)	3,3# (3,3#)	
4,5	HD-S	11,2# (11,2#)	7,2 (7,7#)	4,5 (6,1#)	3,0 (5,2#)	
	HD-SL	11,1# (11,1#)	7,7# (7,7#)	5,4 (6,1#)	3,7 (5,2#)	
3,0	HD-S		6,4 (9,1#)	4,1 (6,7#)	2,9 (5,3)	
	HD-SL		7,9 (9,1#)	5,1 (6,7#)	3,5 (5,5#)	
1,5	HD-S		5,7 (10,0#)	3,8 (7,2)	2,7 (5,1)	
	HD-SL		7,2 (10,0#)	4,7 (7,2#)	3,4 (5,6)	
0	HD-S	5,2# (5,2#)	5,4 (10,0#)	3,6 (7,0)	2,6 (5,0)	
	HD-SL	5,2# (5,2#)	6,8 (10,0#)	4,5 (7,3#)	3,2 (5,4)	
-1,5	HD-S	9,1# (9,1#)	5,4 (9,1#)	3,5 (6,8#)	2,6 (4,9)	
	HD-SL	9,1# (9,1#)	6,8 (9,1#)	4,4 (6,8#)	3,2 (5,2#)	
-3,0	HD-S	9,3# (9,3#)	5,5 (7,5#)	3,6 (5,7#)		
	HD-SL	9,3# (9,3#)	6,9 (7,5#)	4,5 (5,7#)		
-4,5	HD-S		4,8# (4,8#)			
	HD-SL		4,8# (4,8#)			
-6,0	HD-S					
	HD-SL					

Stick 3,00 m

Height (m)	Under-carriage	Radius of load from centerline of machine (m)				
		3,0	4,5	6,0	7,5	9,0
9,0	HD-S					
	HD-SL					
7,5	HD-S			4,3# (4,3#)		
	HD-SL			4,3# (4,3#)		
6,0	HD-S			4,8 (5,0#)	3,2 (4,0#)	
	HD-SL			5,0# (5,0#)	3,9 (3,9#)	
4,5	HD-S		6,9# (6,9#)	4,6 (5,7#)	3,1 (4,9#)	
	HD-SL		6,8# (6,8#)	5,5 (5,7#)	3,7 (4,9#)	
3,0	HD-S	12,3 (13,6#)	6,6 (8,5#)	4,2 (6,4#)	2,9 (5,2#)	2,0 (3,2#)
	HD-SL	13,5# (13,5#)	8,1 (8,4#)	5,1 (6,4#)	3,6 (5,2#)	2,6 (3,2#)
1,5	HD-S	4,7# (4,7#)	5,9 (9,7#)	3,9 (7,0#)	2,7 (5,1)	2,0 (3,8)
	HD-SL	4,7# (4,7#)	7,3 (9,7#)	4,8 (7,0#)	3,4 (5,5#)	2,5 (3,8#)
0	HD-S	5,7# (5,7#)	5,4 (10,0#)	3,6 (7,0)	2,6 (4,9)	1,9 (3,5#)
	HD-SL	5,6# (5,6#)	6,9 (10,0#)	4,5 (7,2#)	3,2 (5,4)	2,4 (3,5#)
-1,5	HD-S	8,2# (8,2#)	5,3 (9,5#)	3,5 (6,8)	2,5 (4,8)	
	HD-SL	8,2# (8,2#)	6,7 (9,5#)	4,4 (7,0#)	3,1 (5,3)	
-3,0	HD-S	10,4 (11,1#)	5,3 (8,2#)	3,5 (6,2#)	2,5 (4,5#)	
	HD-SL	11,1# (11,1#)	6,8 (8,3#)	4,4 (6,2#)	3,1 (4,5#)	
-4,5	HD-S	7,6# (7,6#)	5,5 (6,0#)	3,6 (4,4#)		
	HD-SL	7,7# (7,7#)	6,1# (6,1#)	4,4# (4,4#)		
-6,0	HD-S					
	HD-SL					

Stick 3,70 m

Height (m)	Under-carriage	Radius of load from centerline of machine (m)				
		3,0	4,5	6,0	7,5	9,0
9,0	HD-S					
	HD-SL					
7,5	HD-S				2,8# (2,8#)	
	HD-SL				2,8# (2,8#)	
6,0	HD-S				3,3 (3,6#)	1,8# (1,8#)
	HD-SL				3,6# (3,6#)	1,8# (1,8#)
4,5	HD-S			4,7# (4,7#)	3,2 (4,3#)	2,2 (3,0#)
	HD-SL			4,7# (4,7#)	3,8 (4,3#)	2,7 (3,0#)
3,0	HD-S	11,5# (11,5#)	6,9 (7,6#)	4,4 (5,9#)	3,0 (4,9#)	2,1 (3,8#)
	HD-SL	11,4# (11,4#)	7,6# (7,6#)	5,3 (5,9#)	3,6 (4,9#)	2,6 (3,8#)
1,5	HD-S	7,9# (7,9#)	6,1 (9,1#)	4,0 (6,6#)	2,7 (5,1)	2,0 (3,8)
	HD-SL	8,0# (8,0#)	7,6 (9,1#)	4,9 (6,6#)	3,4 (5,3#)	2,5 (4,2)
0	HD-S	6,2# (6,2#)	5,6 (9,9#)	3,6 (7,0)	2,6 (4,9)	1,9 (3,7)
	HD-SL	6,2# (6,2#)	7,0 (9,9#)	4,6 (7,1#)	3,2 (5,4)	2,4 (4,1)
-1,5	HD-S	7,6# (7,6#)	5,3 (9,8#)	3,5 (6,8)	2,4 (4,8)	1,8 (3,6)
	HD-SL	7,6# (7,6#)	6,7 (9,8#)	4,4 (7,1#)	3,1 (5,3)	2,3 (4,0)
-3,0	HD-S	10,0# (10,0#)	5,3 (8,9#)	3,4 (6,6#)	2,4 (4,8)	
	HD-SL	10,0# (10,0#)	6,7 (9,0#)	4,3 (6,6#)	3,1 (4,9#)	
-4,5	HD-S	9,8# (9,8#)	5,4 (7,2#)	3,5 (5,3#)	2,5 (3,6#)	
	HD-SL	9,9# (9,9#)	6,8 (7,2#)	4,4 (5,3#)	3,1 (3,7#)	
-6,0	HD-S					
	HD-SL					

The lift capacities are stated in metric tonnes (t) on the backhoe bucket's load hook, and can be lifted 360° on firm, level supporting surface. Values quoted in brackets are valid for the undercarriage when in longitudinal position. Capacities are valid for 600 mm wide triple grouser pads. Indicated loads are based on ISO 10567 standard and do not exceed 75 % of tipping or 87 % of hydraulic capacity (indicated via #). Maximum load for the backhoe bucket's load hook is 12 t. Without bucket (0,80 m³), the lift capacities will increase by 720 kg, without bucket cylinder, link and lever they increase by an additional 340 kg. Lifting capacity of the excavator is limited by machine stability, hydraulic capacity and maximum permissible load of the load hook.

When lifting loads, the hydraulic excavator must be equipped with automatic check valve on its hoist cylinders and overload warning device according to European Standard, EN 474-5.

Equipment



Undercarriage

	S	O
Two-stage travel motors	•	
Lifetime lubricated track rollers	•	
Idler protection	•	
Track guide at each track frame	•	
Tracks sealed and greased	•	
Track guides at sprocket and in center		•
Conversion kit – Track B 60 to D 6 C		•
Sprocket with dirt ejector		•
Reinforced base-plate center-piece		•



Uppercarriage

	S	O
Engine hood with lift help	•	
Lockable tool box	•	
Handrails, non slip surfaces	•	
Tool kit	•	
Maintenance free swing brake lock	•	
Maintenance-free HD-batteries	•	
Sound insulation	•	
Electric fuel tank filler pump		•
Foot pedal swing positioning brake		•
Extended tool kit		•
Customized colors		•



Hydraulics

	S	O
Electronic pump regulation	•	
Stepless work mode selector	•	
Pressure storage for controlled lowering of attachments with engine turned off	•	
Hydraulic tank shut-off valve	•	
LSC control system (Liebherr-Synchron-Comfort)	•	
Filter with integrated fine filter area (5 µm)	•	
Pressure test ports	•	
Additional hydraulic circuits		•
Bio-degradable hydr. oil		•
Filter for secondary circuit		•



Engine

	S	O
Direct injection	•	
Turbo charger	•	
After-cooled	•	
Dry-type air cleaner w/pre-cleaner, main and safety element	•	
Sensor controlled engine idling	•	
Engine cold starting aid		•



Operator's Cab

	S	O
Deep drawn cab shell components	•	
All tinted windows	•	
Door with sliding window	•	
All-round adjustable roof flap	•	
Rain protective shade for front window	•	
Washer and wiper	•	
6-way adjustable cloth suspension seat	•	
Seat and consoles independently adjustable	•	
Removable handle for travel pedals	•	
Air conditioner	•	
Coat hook	•	
Dome light	•	
Sun visor	•	
Inside rear mirrors	•	
Radio installation prep-kit	•	
Cigar lighter and ashtray	•	
Removable custom floor mat	•	
Storage and literature tray	•	
Digital instrumentation	•	
Digital instruments for oil temp. engine RPM and oil pressure	•	
Digital hour meter visible from outside	•	
Removable lower section of front window		•
AM/FM stereo radio w/cassette		•
Air power seat adjustment with heating and mountable head rest		•
Warning beacon		•
Additional flood lights		•
Armored glass		•



Attachment

	S	O
Cylinders with shock absorber	•	
Sealed pivots	•	
Grease distributor and lubrication lines fitted on attachment with central lubrication point on uppercarriage	•	
Y sealant between bucket and stick	•	
Protective plate for lubrication lines and distributor on the connecting plate	•	
SAE split flanges on all high pressure lines	•	
Safety hook on bucket	•	
Safety check valves for hoist cylinder		•
Two-way selector valves for bucket/clam		•
Overload warning device		•
Hydr. or mechanical quick change coupler		•
Liebherr line of clams and grapples		•
Quick disconnect hose couplers		•
Special application buckets		•
Hydr. lines, on stick, for clam operation, bucket link holder for clam application		•
Lines for auxiliary control circuit		•
Liebherr automatic lubrication system for attachment and swing ring		•
Customized colors		•

S = Standard, O = Option

Options and/or special attachments, supplied by vendors other than Liebherr, are only to be installed with the knowledge and approval of Liebherr to retain warranty.

Liebherr-France SAS

2, Avenue Joseph Rey, B.P. 287, F-68005 Colmar Cedex

☎ +33 (0)389 21 35 10, Fax +33 (0)389 21 37 93

www.liebherr.com, E-Mail: info@ifr.liebherr.com