



# 215D LC

## EXCAVATOR

- **Exceptional Productivity** -- Superior breakout force, high bucket fill factors, fast cycle times.
- **Reliable/Durable** -- Built to withstand severe working conditions.
- **Low Operating Costs** -- Highly efficient, long-life componentry.
- **Operator Comfort and Convenience** -- Quiet, efficient, protected, productive work environment.
- **Service and Maintenance Ease** -- Fast fluid level checks, reduced maintenance.
- **Total Customer Support** -- Unmatched in the industry!

---

Cat direct-injection,  
turbocharged 3304 Engine ..... 93 KW/125 HP  
Operating Weight ..... 20 100 kg/44,320 lb

---

Machine shown may include optional equipment.



# FEATURES

## Rugged, Versatile Performer

Compare the features and you'll see why Cat's 215D LC offers greater overall value!

- **Cat direct-injection, turbo-charged 3304 Engine ...** proven around the world in earthmoving, industrial and over-the-road applications.

- High displacement-to-power ratio for reliable performance day-in, day-out.
- Caterpillar direct-injection fuel system for excellent fuel efficiency.

- **Undercarriage designed and built by Caterpillar ...** the world's leading manufacturer of track-type machines.

- Heavy, box-section track roller frames bolted on for service and maintenance ease.
- Long undercarriage for superior flotation and traction in poor underfoot conditions.
- Three shoe sizes available to match job requirements.

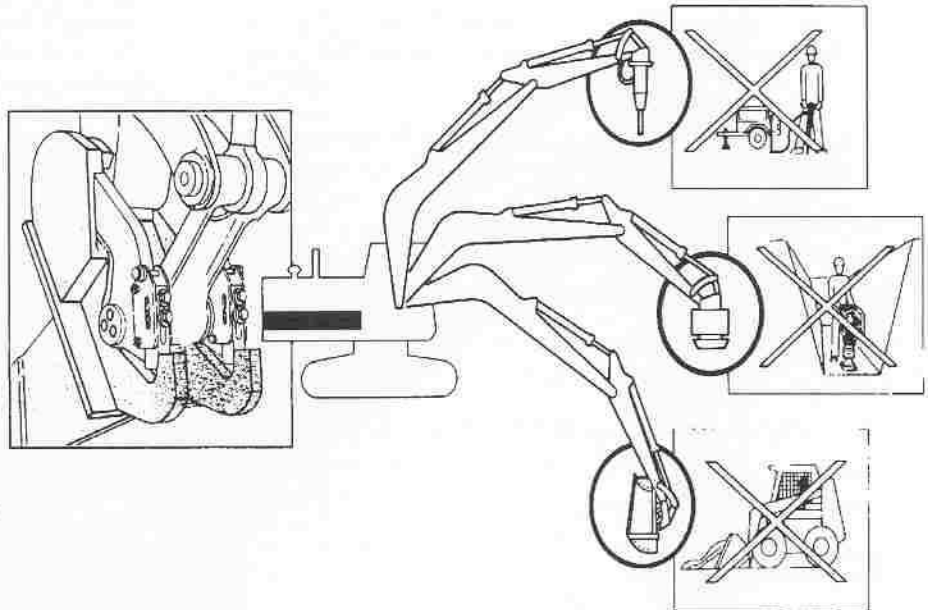
- **Wide selection of attachments ...** for maximum versatility.

- One-piece boom -- features thick, one-piece, top and bottom plates for maximum durability.
- Three sticks -- short, medium and long.
- Seven buckets, including five of which can be configured for Cat's **VERSA-LINK Quick Coupling System**. Caterpillar-designed and built buckets have large torque tubes and transverse wear strips for excellent structural rigidity.
- Six different bucket tips and four sidecutters for a choice of ground engaging tools to match job conditions. Cat ground engaging tools ... designed, built and warranted by the same company that builds the bucket and the machine!

- **High-performance hydraulics** make the 215D LC an exceptionally productive machine.

- Cushion swing control allows precision handling of heavy objects.

- **Standard heavy lift circuit** increases lifting capacity. A flick of a switch increases maximum implement pressure and reduces pump flow for greater lift capacity and more precise control. An additional check valve prevents stick drift due to high operating pressures.



- **Caterpillar's **VERSA-LINK Quick Coupling System** ...** increases productivity by using the right tools for the job.

- Save money -- a variety of attachments eliminates the need of special equipment and operators.

- Save time -- one person can easily change attachments in two to three minutes or less.
- No reduction in bucket capacity or breakout force.
- Reliable and durable -- built for severe service.

## Variable-flow Hydraulics

Variable-flow system converts horsepower into high tool forces or faster speeds, according to job requirements, for maximum productivity

### Variable-flow piston pumps.

- Fully utilize engine horsepower throughout work cycle.
- Respond to hydraulic system needs.

### Power proportioning.

- Allows lifting, digging, dumping and traveling in any combination.
- Delivers power where it is most needed.

### Cushion swing control.

- Provides smooth swing control for precise applications such as pipe setting, etc.
- Easily activated by switch in cab.

### Heavy lift circuit is standard.

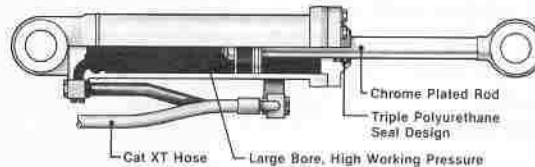
- Substantially increases lifting capacity at the flip of an easy-to-reach switch.
- Minimizes system flow for precise maneuvering in tight quarters or loading on lowboy.

### Cat's XT-5 and XT-6 hose and reusable coupling system.

- Exceptional strength.
- Good hose flexibility.
- Superior service life.

Cat XT Hose

Large Bore, High Working Pressure



Triple Polyurethane Seal Design

Chrome-plated Rod

### Hydraulic cylinders.

- Seamless-steel tubes, honed to fine tolerances.
- Hardened, precision-ground, chrome-plated rods.
- Triple-polyurethane seals guard against contamination, leaks.

- Self-aligning spherical bearings on all cylinders minimize twisting forces for excellent durability.

- **Oil-to-air cooler** -- offers efficient heat rejection for excellent hydraulic system protection.

## Cat<sup>®</sup> 3304 Engine

Reliable ... durable ... dependable!

- **Turbocharged** for increased performance and efficiency, especially at high altitudes. No derating required up to 3200 meters/10,500 feet.

### Direct-injection fuel system.

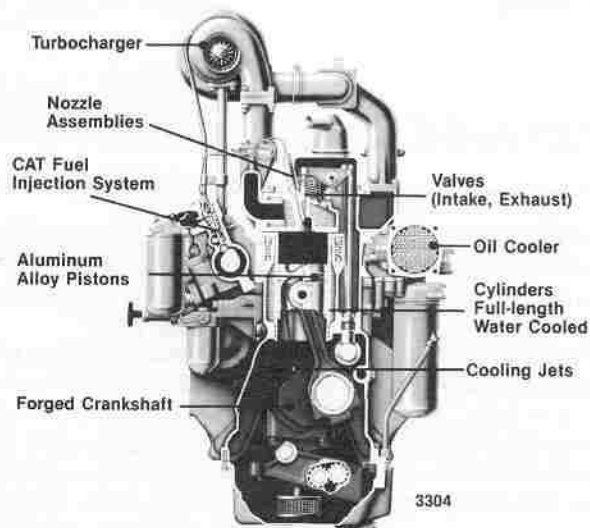
- Adjustment-free pumps and valves.
- Efficient, accurate fuel metering.

### Four-stroke-cycle design

uses long power strokes for more complete fuel combustion and greater efficiency.

### Automatic engine speed control is standard.

- Electronic governor control system automatically reduces engine speed when joysticks and travel controls are in neutral.



- Three-position operation -- full power, off and economy ... decreases fuel consumption, noise.

- Automatically returns engine to original operating RPM when joysticks or travel controls are actuated ... no resetting necessary.

# FEATURES

## Operator's Station

Excellent visibility, logical control placement, excellent operator comfort for fast, confident machine operation.

- **Fabricated cab is about 50% heavier than competitive cabs for greater durability ... stays tight even after years of use.**
  - Isolation-mounted unit uses large rubber mounts and a heavy, lead-lined rubber mat to suppress noise.
  - Spacious 926 mm/36" window-to-window inside width for excellent operator comfort.
- **Excellent, all-around visibility and ventilation for confident machine operation.**
  - Two-section windshield is adjustable five-ways.
  - Large side window, sliding rear window and skylight.
  - Heavy duty mirrors are standard.
- **Four-way, adjustable suspension seat for superior comfort.**
  - Joysticks and switches mounted on side consoles that move up and down with the seat, so they are always easy to reach.
- **Hydraulic-over-hydraulic pilot control system.**
  - Easy, well-modulated lever movement without surging.
  - Low lever efforts.



- **Separate travel pedals for each direction, forward and reverse, and steering lever.**
  - Steering lever allows gradual and spot turns as well as counter-rotation.
- **Full instrumentation is standard, including fuel level, engine oil level, engine oil pressure, coolant temperature and hydraulic oil temperature gauges.**

## Servicing Ease

Simplified maintenance and service means more time on the job, lower owning and operating costs.

- **Self-lubricating swing gear rides in enclosed trough.**
  - Contaminants are sealed out.
  - No hand greasing.
- **Swing bearing greased every 50 service meter hours through fitting in cab.**
- **Remote, centralized lubrication fittings for hard-to-reach lube points on the one-piece boom.**
  - Remaining lube points are conveniently located for easy access.
- **Lip-type linkage pin seals keep grit out, grease in.**
- **Hydraulic track adjusters standard.**
  - Adjust track tension with a grease gun.
- **Radiator, engine oil level, hydraulic fluid levels checked easily from convenient walkway.**
- **Maintenance and repair kits available to simplify service.**
  - PM kits with oil and air filters.
  - Hydraulic cylinder seal kits.
  - Engine tune-up kits with fuel nozzles.
- **Exchange and Remanufactured components reduce parts costs, downtime.**
  - Alternators to complete Cat Remanufactured 3304 Engines and hydraulic components are available.
  - Warranted the same as new products.
  - Assembled, tested and ready to install.



## Caterpillar® Engine

Flywheel power @ 1800 RPM ..93 kW/125HP (Kilowatts (kW) is the International System of Units equivalent of horsepower.)

*Net power at the flywheel of the vehicle engine is based on SAE J1349 standard conditions of 25°C / 77°F and 100 kPa / 29.61"Hg. Power is based on using 35° API (15.6°C / 60°F) gravity fuel having an LHV of 42 780 kJ/kg / 18,390 Btu/lb when used at 29.4°C / 85°F and with a density of 838.9g/L / 7.001 lb/U.S. gal. Power rating is adjusted for vehicle equipped with fan, air cleaner, water pump, fuel pump, muffler and lubricating oil pump. No derating is required up to 3200 m. / 10,500 ft.*

Caterpillar four-stroke-cycle, 3304 turbocharged diesel engine with four cylinders, 121 mm/4.75" bore, 152 mm/6.0" stroke and 7.0 liters/425 cu. in. displacement.

Caterpillar direct-injection fuel system with individual, adjustment-free, injection pumps and valves. Cam-ground and tapered, aluminum-alloy pistons have three rings each and are cooled by oil spray.

Easy-to-change, spin-on oil and fuel filters. Dry-type air cleaner with primary and secondary elements. Water pump, fuel pump and service meter standard.

Direct-current, 24-volt starting and charging system with two, 132-amp-hour, 12-volt batteries and 50-amp alternator.



## Hydraulic system

Two variable-displacement piston pumps power the boom, stick, bucket, swing and travel circuits.

Output of each pump @ rated engine speed and 69 bar/1,000 psi..... 2 x 166 liters/min./2 x 43 GPM

A fixed-displacement gear pump powers the pilot-control circuit.

Output to pilot system @ rated engine speed and 19 bar/235 psi..... 83 liters/min./22 GPM

Oil-to-air hydraulic cooler is mounted in front of engine radiator.

Relief valve settings:

Implement circuits ..... 303 bar/4,400 psi  
 Heavy lift circuit.....331 bar/4,800 psi  
 Travel circuits ..... 331 bar/4,800 psi  
 Swing circuit ..... 138 bar/2000 psi  
 Pilot circuit ..... 23 bar/335 psi

Cylinders, bore x stroke:

Boom (2) ..... 120.7 x 975 mm/4.75" x 38.4"  
 Stick (1) ..... 139.7 x 1207 mm/5.5" x 47.5"  
 Bucket (1) ..... 120.7 x 967 mm/4.75" x 38.1"



## Drive

Fully hydraulic; each track is driven by an independent hydraulic motor. Two travel pedals: right pedal gives forward movement...the left, reverse. Triple-reduction, spur-gear final drive, fully enclosed and splash lubricated. Duo-Cone Floating Ring Seals on output shafts.

Maximum drawbar pull ..... 147 kN/33,075 lb  
 Maximum travel speed @ 2000 RPM:  
 forward and reverse ..... 3.6 km/hr/2.2 MPH



## Track

Cat design and built track-type undercarriage. Reinforced box-section, track roller frame. Sealed Track. Lifetime Lubricated rollers and idlers, hydraulic track adjusters and triple grouser shoes are standard.

Number of shoes (each side)	51
Width of shoes (standard)	500 mm/20"
Overall track length	4140 mm/13'7"
Track gauge extended	2224 mm/7'4"
retracted	1919 mm/6'4"
Ground contact area for indicated shoe sizes	
500 mm/20"	3.63 m <sup>2</sup> /5,645 in <sup>2</sup>
610 mm/24"	4.43 m <sup>2</sup> /6,890 in <sup>2</sup>
705 mm/28"	5.12 m <sup>2</sup> /7,963 in <sup>2</sup>
1015 mm/40"	7.37 m <sup>2</sup> /11,462 in <sup>2</sup>



## Controls

Two joystick hand levers actuate boom, stick, bucket and swing.

**Right lever:** Move forward and backward to lower and raise boom. Right and left to control bucket curl and dump.

**Left lever:** Move forward and backward to move stick out and in. Left and right to control swing direction.

Oblique movement of either lever operates any two functions simultaneously. Manually applied lever on the left console completely neutralizes the control system.

# SPECIFICATIONS



## Swing Mechanism

Case-hardened drive gears are splash lubricated. Swing gear and pinion run in a trough of lubricant. No daily maintenance required. Hydraulic motor provides high swing torque for fast acceleration. No mechanical braking required. To stop rotation, release controls to cut off oil flow to swing motor. A manual shoe-type brake locks the upperstructure during lifting applications on side slopes.

Smooth, modulated deceleration occurs when swing control lever is released, assuring accurate positioning for next work cycle.

Swing speed ..... 6.7 RPM

### Cushion swing control standard:

A operator-controlled switch on the instrument panel activates the circuit to provide smoother, softer swing-control for precision applications like pipe setting, etc.



## Steering

A lever mounted between the travel pedals provides gradual pivot and counter-rotation steering. (1) Depress the forward or reverse pedal and move the lever right or left. This drives one track while slowing the other to turn the machine in the direction the lever was moved. (2) Move the lever farther, into contact with a "resistance" bumper spring, for a pivot turn with one track locked and the other driving. (3) Push the lever beyond the bumper spring to reverse the locked track for counter-rotation and a spot turn.



## Service Refill Capacities

	Liters	U.S. Gallons
Fuel Tank	270	71
Cooling System	27	7
Lubrication:		
Engine Oil	19	5
Swing Drive	29	7.7
Final Drives (each)	15	4
Hydraulic System	300	79.3
Hydraulic Tank	155	41



## Brakes

Two oil-disc brakes on final drive input shafts. Spring-applied, hydraulically released. When machine is stationary, brakes are set automatically. Depressing either travel pedal simultaneously disengages brakes.



## Operating Weight

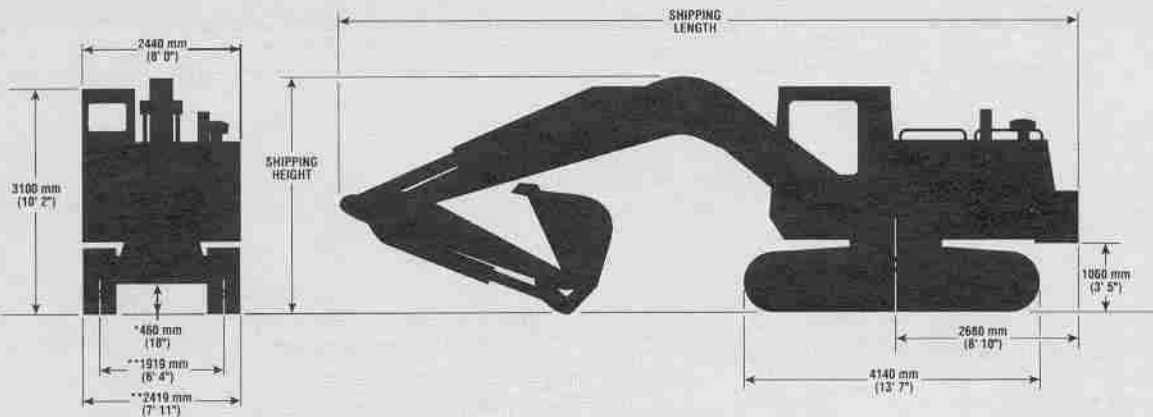
Includes lubricants, coolant, 50% full fuel tank, 500 mm/20" triple grouser track shoes, one-piece boom, 2755 kg/6,075 lb counterweight, 75 kg/165 lb operator and 1070 mm/42" bucket.

Stick	Kg*	Lb*
1800 mm/5'11"	19 930	43,950
2200 mm/7'3"	19 940	43,960
2800 mm/9'2"	20 100	44,320

\* For 610 mm/24" triple-grouser shoes, add 270 kg/595 lb. Single-grouser, 610 mm/24" shoes add 330 kg/728 lb to weight of standard machine. For 705 mm/28" triple-grouser shoes, add 510 kg/1124 lb and for 1015 mm/40" triple-grouser shoes, add 1270 kg/2800 lb.



## Dimensions



\* Minimum ground clearance

\*\* With 500mm/20" shoes: Add 305 mm (20") for extended track gauge.

With One-piece Boom and:	1800 mm/5'11" Stick	2200 mm/7'3" Stick	2800 mm/9'2" Stick
Shipping height	3200 mm/10'6"	3200 mm/10'6"	3380 mm/11'1"
Shipping length	8930 mm/29'4"	8940 mm/29'4"	8970 mm/29'5"

# SPECIFICATIONS



## Standard Equipment

*NOTE: Standard and optional equipment may vary. Consult your Caterpillar dealer for specifics.*

Air cleaner, dry-type.	Heater, cab.	Track motor.
Alarm, travel (standard in North America).	Horns, electric, front and rear.	Idler, track guiding.
Alternator, 50-amp.	Hour meter, electric.	Heavy lift circuit.
Automatic engine speed control.	Lights, dome and dash.	Hydraulic track adjusters.
Cab, all-weather, sound-suppressed, with:	Seat, four-way adjustable, suspended with arm rests and side consoles.)	Lifetime Lubricated rollers and idlers.
Cigar lighter.	Seat belt.	Linkage pins, chromed and sealed.
Fans:	Windshield, retractable two-section with tinted safety glass in top; clear, laminated safety glass in bottom.	Locking house, cab and tool compartment.
circulating	Windshield wipers, dual with washers.	Lights, working, basic machine.
defroster.	Windows, side and skylight, tinted LEXAN sheet.	Lubrication points, centralized.
Floor mat.	Window, sliding rear with friction lock.	Mirrors, rear view.
Instrumentation:	Counterweight, 2760 kg/6070 lb.	Muffler.
Engine oil pressure gauge.	Cushion swing control.	Pump, modified pilot with through shaft for auxiliary system.
Coolant temperature gauge.	Guards:	Starting aid, ether.
Hydraulic oil temperature gauge.		Track, Sealed with 500 mm/19.7" triple grouser shoes.
Voltmeter.		Tow eyes, front and rear.
Air filter service light.		Undercarriage LC, 4140 mm/13'7"
Hydraulic oil filter service light.		Walkway and handrails
Flashing warning light.		
Hydraulic tank low pressure light.		



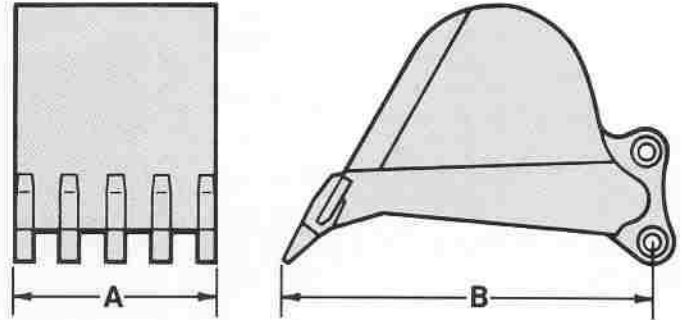
## Optional Equipment

Air conditioner.	Track guiding, full-length.
Alarm, travel (optional outside of North America).	Windshield vandalism.
Backhoe sticks:	Hydraulics, auxiliary.
1800 mm/5'11"	Hydraulic hammer arrangement.
2200 mm/7'3"	Pump, refueling.
2800 mm/9'2"	Precleaner with prescreener.
Boom.	Seat, adjustable suspension and tilting.
Buckets.	Starting system, low temperature.
Bucket linkage.	Step group.
Bucket sidecutters.	Sticks.
Bucket tips.	Track shoes.
Cab riser.	VERSA-LINK Quick Coupling System, including coupler, adapter, buckets and ripper.
Check valves, boom and stick.	Working lights, boom.
Cooling system, high ambient temperature, 52° C/125° F	
Fan, ventilating.	
Guards:	
Pilot lines.	
Pump	
Sprocket end.	
Swivel.	



## Bucket Specifications

Caterpillar buckets curl 174° for excellent load retention and easy digging under obstructions. High-strength, heat-treated steel is used in the primary wear areas.



### Bucket Selection (equipped with long tips)

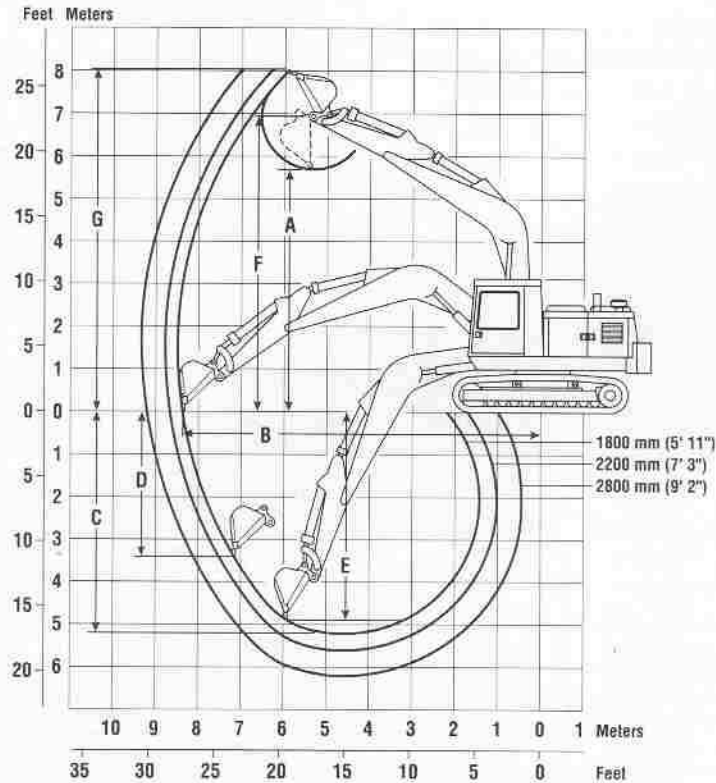
Type	A Bite Width mm/in.	B Tip Radius mm/in.	SAE Heaped liter/yd <sup>3</sup>	Bucket Force kN/lbs	Weight With Tips kg/lb	Number of Teeth
T	625/24	1450/57	447/0.6	106/23,800	460/1,015	3
T*	775/30	1450/57	601/0.8	106/23,800	540/1,190	4
T*	925/36	1450/57	761/1.0	106/23,800	606/1,335	5
X*	1075/42	1350/53.2	765/1.0	113.5/25,500	615/1,350	5
EX	1096/43	1377/54.2	779/1.0	111.3/25,000	771/1,700	5
X*	1225/48	1350/53.2	902/1.2	113.5/25,500	684/1,500	6
X*	1375/54	1350/53.2	1038/1.4	113.5/25,500	737/1,625	6

T = Trenching, EX = Extreme Service Excavation and X = Excavation.

\*Also available in VERSA-LINK Quick Coupling System version.

# SPECIFICATIONS

## 215D LC Digging Envelope, One-Piece Boom



		Stick Length		
		1800 mm/ 5'11"	2200 mm/ 7'3"	2800 mm/ 9'2"
A Maximum loading height bucket with teeth	mm	5590	5590	5840
	ft. in.	18'4"	18'4"	19'2"
B Maximum reach at ground level	mm	8370	8670	9230
	ft. in.	27'6"	28'5"	30'8"
C Maximum digging depth	mm	5210	5610	6210
	ft. in.	17'1"	18'5"	20'4"
D Maximum vertical wall digging depth	mm	3400	3440	3940
	ft. in.	11'2"	11'3"	12'11"
E Maximum depth of cut for 2440 mm/8' level bottom	mm	4960	5360	6010
	ft. in.	16'3"	17'7"	19'9"
F Maximum bucket hinge pin height	mm	6940	6940	7190
	ft. in.	22'9"	22'9"	23'7"
G Maximum height to bucket teeth at highest arc	mm	8010	7940	8190
	ft. in.	26'3"	26'1"	26'10"
Stick forces	kN	110.8	98.0	83.3
	lb	24,890	22,030	18,750

## Lift Capacities

STICK -- 2200 mm/7'3"  
 BUCKET -- 1075 mm/42.5"  
 BOOM -- ONE-PIECE  
 SHOES -- 500 mm/20"  
 HEAVY LIFT CIRCUIT-- Activated

LOAD POINT HEIGHT		LOAD RADIUS										LOAD AT MAXIMUM REACH	
		1.5 m/5.0 ft		3.0 m/10.0 ft		4.5 m/15.0 ft		6.0 m/20.0 ft		7.5 m/25.0 ft		OVER FRONT	OVER SIDE
		OVER FRONT	OVER SIDE	OVER FRONT	OVER SIDE	OVER FRONT	OVER SIDE	OVER FRONT	OVER SIDE	OVER FRONT	OVER SIDE		
6.0 m 20.0 ft	kg lb							*3140 *7000	*3140 *7000			*2890 *6300	2700 6000
4.5 m 15.0 ft	kg lb							*3350 *7300	*3350 *7300			*3040 *6700	2200 4900
3.0 m 10.0 ft	kg lb					*4990 *10,700	*4990 *10,700	*3930 *8500	3630 7800	*3510 *7700	2450 5200	*3210 *7100	1980 4400
1.5 m 5.0 ft	kg lb					*6400 *13,800	5280 11,400	*4600 *10,000	3430 7400	*3800 *8300	2380 5100	3210 7100	1920 4200
Ground Line	kg lb					*7270 *15,700	5000 10,800	*5130 *11,100	3280 7100	3860 8300	2320 5000	3380 7500	2020 4500
-1.5 m -5.0 ft	kg lb	*4470 *10,100	*4470 *10,100	*8230 *18,800	*8230 *18,800	*7490 *16,200	4920 10,600	*5330 *11,500	3210 6900			*3380 *8600	2350 5200
-3.0 m -10.0 ft	kg lb			*10,540 *22,800	9690 20,800	*7030 *15,200	4990 10,700	*4930 *10,500	3260 7000				
-4.5 m -15.0 ft	kg lb					5260 5250							

STICK -- 2800 mm/9'2"  
 BUCKET -- 1075 mm/42.5"  
 BOOM -- ONE-PIECE  
 SHOES -- 500 mm/20"  
 HEAVY LIFT CIRCUIT -- Activated

LOAD POINT HEIGHT		LOAD RADIUS										LOAD AT MAXIMUM REACH	
		1.5 m/5.0 ft		3.0 m/10.0 ft		4.5 m/15.0 ft		6.0 m/20.0 ft		7.5 m/25.0 ft		OVER FRONT	OVER SIDE
		OVER FRONT	OVER SIDE	OVER FRONT	OVER SIDE	OVER FRONT	OVER SIDE	OVER FRONT	OVER SIDE	OVER FRONT	OVER SIDE		
6.0 m 20.0 ft	kg lb											*2520 *5500	2290 5100
4.5 m 15.0 ft	kg lb							*2830 *6200	*2830 *6200	*2850 *6300	2510 5300	*2630 *5800	1900 4200
3.0 m 10.0 ft	kg lb					*4220 *9100	*4220 *9100	*3440 *7500	*3440 *7500	*3100 *6800	2440 5200	*2720 *6000	1720 3800
1.5 m 5.0 ft	kg lb					*5730 *12,300	5320 11,500	*4170 *9000	3410 7300	*3460 *7500	2340 5000	2840 6200	1660 3700
Ground Line	kg lb			*4510 *10,500	*4510 *10,500	*6830 *14,700	4950 10,700	*4800 *10,400	3210 6900	3780 8100	2240 4800	2960 6500	1730 3800
-1.5 m -5.0 ft	kg lb	*4040 *9100	*4040 *9100	*7560 *17,300	*7560 *17,300	*7310 *15,800	4800 10,300	*5160 *11,200	3110 6700	3740 8000	2200 4700	3350 7400	1970 4300
-3.0 m -10.0 ft	kg lb	*7040 *15,100	*7670 *17,300	*11100 *24,000	9380 20,100	*7160 *15,500	4800 10,300	*5070 *10,900	3110 6700				
-4.5 m -15.0 ft	kg lb			*9310 *19,900	*9310 *19,900	*6120 *13,000	4980 *10,700						

\*Indicates the load is limited by hydraulic capacity rather than tipping capacity. Lift capacity ratings are based on SAE Standard J1097. Rated loads do not exceed 87% of hydraulic lifting capacity or 75% of tipping capacity.

### Benefits Summary

**93 kW/125Hp Cat Turbocharged Diesel Engine ...** provides fast cycles and high productivity. A tough, durable engine ... field-proven in many applications.

**Automatic Engine Speed Control ...** automatically selects one of three engine RPM settings, according to load ... contributes up to 20% fuel savings.

**High 303 bar/4,400 psi hydraulic working pressure ...** for aggressive digging capability when working in tough ground conditions.

**New-design track rollers specifically for excavators ...** deliver maximum durability in high impact applications.

**Constant-horsepower hydraulic system ...** with variable-displacement piston pumps and hydraulic power proportioning, coupled to Cat's XT-5 hose, makes the 215D LC fuel efficient and very reliable.

**Human-engineered cab ...** the sound-suppressed cab features heavy duty construction with 11-gauge sheet steel and a box-section frame. The 926 mm/36" inside cab width provides extra room for shift-long operator comfort. The 215D LC's two-section windshield adjusts to five different visibility/ventilation combinations to maximize operator comfort and productivity. It has tinted safety glass in the upper window and clear, tempered safety glass in the lower window. Tinted side and rear windows enhance visibility. The four-way adjustable seat has joysticks and switches mounted on side consoles, placing the controls within comfortable reach. An angled gauge panel allows the operator to monitor selected machine systems with a glance. A cab heater is standard.

**Controls respond smoothly and easily for precise work ...** boosted by a hydraulic-over-hydraulic pilot system for easy, well-modulated lever movement. Prevents surges common to air-over-hydraulic controls, and reduces high lever efforts common to mechanically controlled systems.

**Track-type undercarriage designed and built by Caterpillar, the world's most experienced manufacturer of track-type vehicles ...** delivers rugged performance and long life with a minimum of undercarriage service. Outstanding drawbar pull helps the 215D LC maneuver and travel in poor underfoot conditions and on steep slopes. Track pins and bushings are sealed with metal-to-metal discs ... the rollers and idlers, with Caterpillar's Duo-Cone Seals. Hydraulic track adjusters and heavy duty recoil springs are standard equipment. The track roller frames use box-beam construction. Bolt-on track shoes are available in several widths.

**Powerful, dependable hydraulic components ...** deliver high flows for rapid lift, swing and dump functions or high pressure for maximum digging forces. Major components are Cat turbocharged 3304 Engine; twin, variable-displacement piston pumps; single-section, fixed-displacement, gear pump; piston-type track motors; Cat's XT-5 hose and couplings; heavy steel tubing and pilot control valves; Cat hydraulic cylinders; and hydraulic tank.

**Remote, centralized grease fittings ...** allow easy lubrication of hard-to-reach lube points.

# CATERPILLAR®