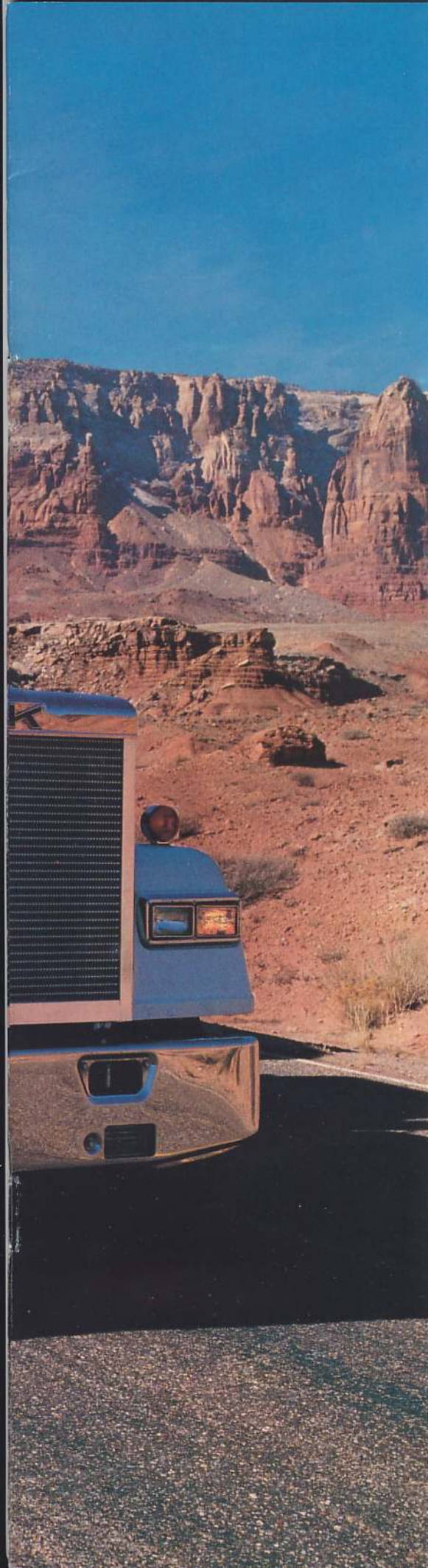




Super-Liner[®]







**The Classic . . .
From The Industry Leader
In Heavy-Duty
Conventionals.**

Many truck producers offer premium conventionals for your consideration. But only **one** has the bold, classic look of leadership from the industry's most popular line of heavy-duty conventionals, proven in millions of miles of service with customers around the world . . . the Mack Super-Liner model.

Engineered and built with the Mack philosophy of integrated, "Balanced Design," the Super-Liner model performs with all the strength and authority that its appearance suggests. Underneath the lightweight, tilting fiberglass hood, Mack moves you with a full range of powertrain choices, featuring Mack six-cylinder and "Whispering Giant™" V-8 diesels up to 500 horsepower. The quiet, comfortable galvanized steel cab is air-suspended, and can be matched with your choice of custom single or double-level sleepers. And you'll make short work of long hauls, with a chassis based on Mack's unique deep center, drop-section tapered frame for extraordinary ride and handling benefits.

Look beyond the obvious . . . and consider the Mack Difference.





At Home On The Road, Whatever The Load.

Mack created the Super-Liner model primarily for high-capacity, long distance highway hauling, but you'll find extra benefits in its versatility. Mack offers both the 600 and 700 series chassis configurations, depending on your intended task. You can specify one of two frame rail thicknesses in top quality, heat-treated steel, with inside channel reinforcements if necessary. Aluminum rails are also available.

Up front, wide taper-leaf springs deliver a supple ride, with excellent load-carrying capacity. Inboard frame-mounted steering gear inspires driver confidence by returning excellent "road feel," but screens out vibration and reaction to surface irregularities. Tight, 45 degree front wheel cuts permit exceptional maneuverability, even with long wheelbases.

Whether your schedule pulls you from city to city or coast to coast, you'll profit from Mack's emphasis on low life-cycle cost — a comprehensive formula for operating efficiency. It's a combination of functional design, premium quality, unmatched fuel economy and durability, long maintenance intervals, and high resale value. It's backed by the best warranty protection in the business. And it's proven on your bottom line.



The Balance of Power.

Mack exercises complete control over the design and production of its own major powertrain components — diesel engines, transmissions, and rear axle carriers. Each is perfectly matched to complement the performance characteristics of the other. . . resulting in a finely-tuned team.

Other elements of the vehicle — cab, frame, suspension systems — create a coherent package that sets new standards of fuel efficiency, reliability, and durability.

This philosophy makes possible such advancements as chassis-mounted charge-air cooling for greater power, economy, and longevity. Maxidyne® Plus diesels with high torque rise and a wide operating range. Smooth-shifting, T-200 series triple countershaft transmissions, with the highest torque capacity in their class. Rear bogies with the highly effective Mack Power Divider. And much more.

Balanced Design means single-source responsibility for sales, service, parts, and warranty coverage. Your investment does more than pay off. It pays dividends.





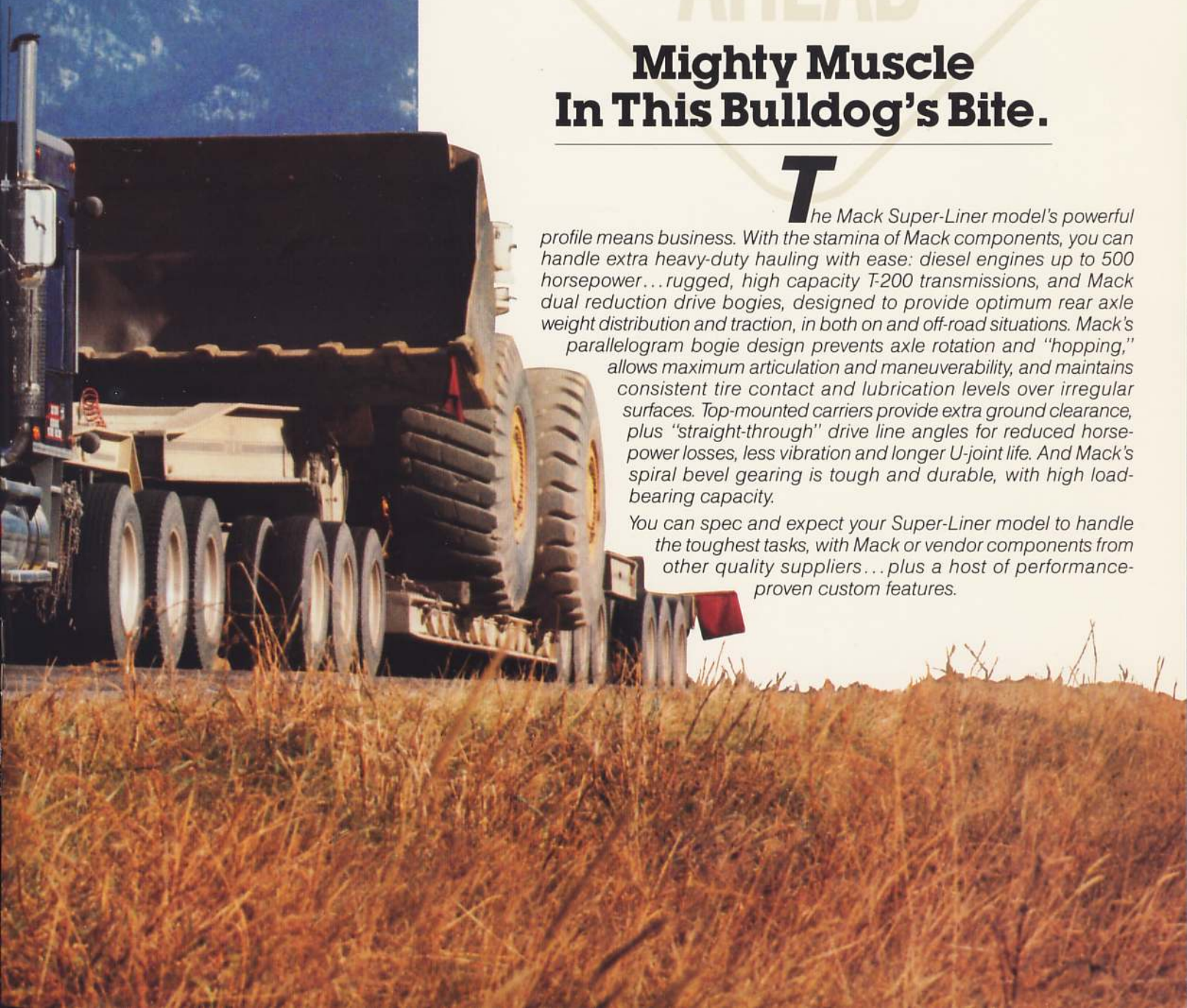


CAUTION
CONSTRUCTION
AHEAD

Mighty Muscle In This Bulldog's Bite.

The Mack Super-Liner model's powerful profile means business. With the stamina of Mack components, you can handle extra heavy-duty hauling with ease: diesel engines up to 500 horsepower... rugged, high capacity T-200 transmissions, and Mack dual reduction drive bogies, designed to provide optimum rear axle weight distribution and traction, in both on and off-road situations. Mack's parallelogram bogie design prevents axle rotation and "hopping," allows maximum articulation and maneuverability, and maintains consistent tire contact and lubrication levels over irregular surfaces. Top-mounted carriers provide extra ground clearance, plus "straight-through" drive line angles for reduced horsepower losses, less vibration and longer U-joint life. And Mack's spiral bevel gearing is tough and durable, with high load-bearing capacity.

You can spec and expect your Super-Liner model to handle the toughest tasks, with Mack or vendor components from other quality suppliers... plus a host of performance-proven custom features.








The Perfect Business Climate.

Mack complements the Super-Liner

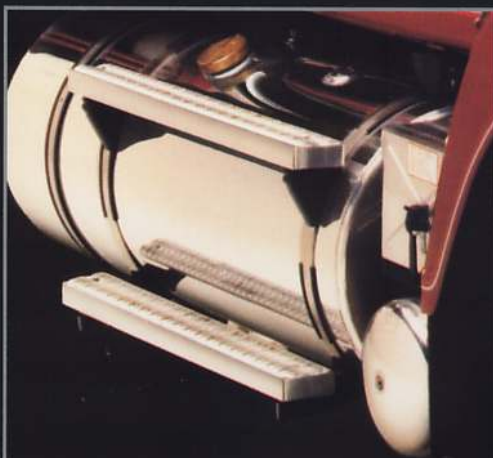
model's superior ride with a quiet, comfortable cab interior that enhances driver productivity. You can select one of four interior trim levels: Levels I and II in durable, attractive silver-gray vinyl; Level III, with deep-cushioned cloth and leather-grained vinyl in black or blue; or Level IV, featuring the ultimate in luxury in rich silver-gray high-loft cloth and vinyl. Carpeting, headliner and door panel fabrics, and optional sleeper compartments are fully coordinated with your specification. Extensive sound insulation behind all interior surfaces contributes to the Super-Liner cab's relaxing quiet and freedom from excess vibration and road noise.

The wrap-around instrument panel places all gauges and controls within convenient sight and reach, according to TMC recommendations. And drivers of all shapes and sizes will find the two-spoke, soft-feel steering wheel with fully adjustable column particularly accommodating. Mack's unique cab roof vent provides ample fresh air ventilation, along with cowl and side air inlets and indoor vent windows. Optional air conditioning adds powerful, efficient cooling and dehumidifying capabilities to the integrated, high-capacity heater/defroster unit, for draft-free comfort regardless of the weather outside.

Thoughtful finishing touches abound inside Mack's Super-Liner model. Provisions for your choice of premium audio systems are located in the handy overhead console, with ample room for speaker installations at the cab corners. Plus: easy walk-in access to your choice of custom sleepers, pre-wired for their own audio and climate control systems... mirror-mounted CB antennas... a full range of air suspension seating options... your imagination is the only limit!



Mack





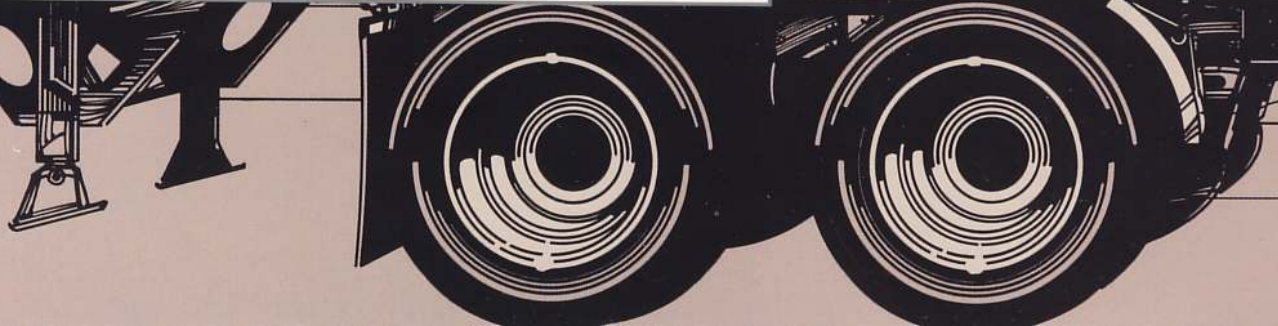
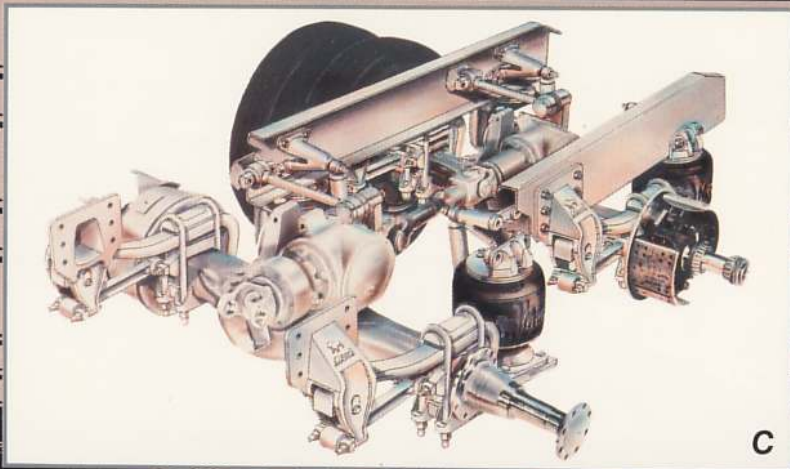
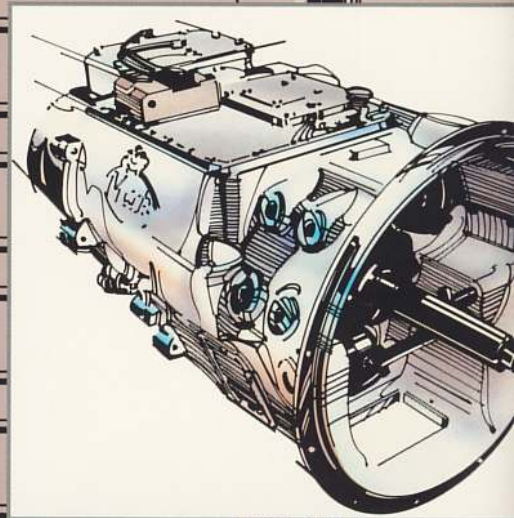
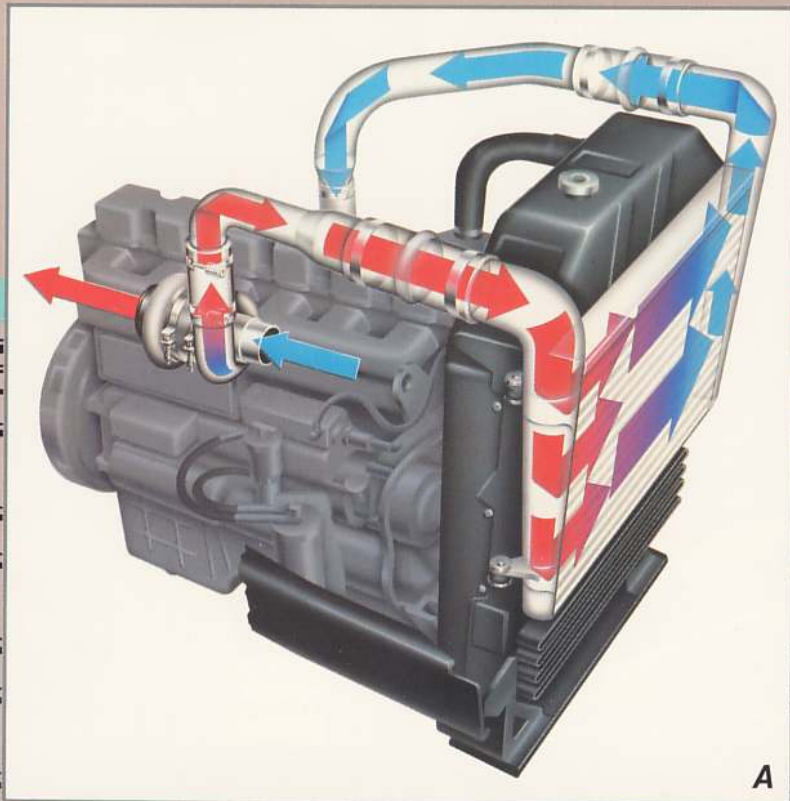
You Deserve The Finest.

You'll be as proud of your Super-Liner model as we are. And you can reflect your good sense and taste in a wide selection of appearance options, all designed to complement the bold good looks of our classic conventional.

Aluminum, stainless steel, and chrome finishes for components and accessories. Driving lights and appearance protection items. Heated Bulldog mirrors. High quality custom paint and striping treatments, including clear-coating for extra brilliance. The list continues, and your authorized Mack dealer will provide complete details.

Mack's service, parts, and warranty support really shines, too: a worldwide network of well-equipped facilities, staffed with factory-trained truck experts and backed by a fully computerized parts inventory... a toll-free, 24-hour service assistance hotline in the continental United States (1-800-262-MACK)... 3-year/300,000 mile (480,000 kilometers) warranty coverage on major Mack powertrain components... 5-year/unlimited mileage cab coverage against perforation due to rust or corrosion... and Bulldog Protection™ Plan options that let you tailor and extend coverage according to your specific needs.

Your selection of a Mack Super-Liner model will bring you personal and professional rewards throughout its years of faithful service... and at trade-in time. Consistently high resale value is the ultimate affirmation of the Mack Difference.



The Complete Package.



A Mack pioneered diesel engine efficiency measures such as chassis mounted charge-air cooling long before fuel economy became an economic imperative. Now, Mack stays ahead of the field with additional advancements, such as the debut of the E7 series six cylinder engines in mid-1989. Its comprehensive benefits include greater power output from an overall size similar to the E6 series it replaces, even better fuel economy, improved emissions performance and longevity, and a simpler design. Configurations range up to 425 horsepower... with the Mack E9 series Whispering Giant™ V-8 handling the ultimate hauling jobs at 450 and 500 horsepower ratings.

B Mack transmissions incorporate a triple-countershaft design for a more effective distribution of turning forces than a double countershaft arrangement. In addition, the Mack design limits parasitic losses due to oil churn and heat generation, allowing the transmission to transmit more power directly to the driving wheels. The Mack T-200 series transmissions are overdrive units, and also feature an aluminum case which is light in weight and acts as a built-in cooler.

C The Mack bogie completes the Balanced Design powertrain, now with the added availability of Mack's combination air and leaf spring rear suspension for extra comfort and cargo protection, light weight, and low maintenance.

D Mack's Custom Aerodynamics Packages, consisting of side and roof-mounted air fairings and trim tabs can deliver fuel economy improvements of up to 10 percent (depending on model and equipment), in highway applications by effectively managing the air flow around the cab and trailer. The fairings are designed specifically for Mack vehicles, and are offered as individual items or as a complete package.

E The Super-Liner cab meets the chassis with an exclusive suspension system combining air and shock absorbers for effective isolation from road shock... and a relaxing ride.

F Mack's double-wall all-welded galvanized steel conventional cabs defy rust and corrosion — a promise backed by powerful warranty protection: 5-years/unlimited mileage. Each cab receives extensive preparatory coating, including an electro-dip primer bath, prior to painting. Gasketed, knife-edge door seals and concealed hinges lock out heat, cold and moisture. One more key reason why Mack is #1 in heavy-duty conventionals!



MACK QUALITY

Depend on it!



The information in this brochure was accurate at the date of publication. Mack Trucks, Inc. reserves the right to make changes in specifications, equipment or design, or to discontinue models or options without notice at any time. Warranty terms and services may vary in certain countries. Some of the equipment shown or described in this brochure is available at extra cost or through retail organizations and establishments not associated with Mack Trucks, Inc.

© 1989: Mack Trucks, Inc.
Mack Canada Inc.
Mack Trucks Australia Pty. Ltd.

® Registered trademarks of Mack Trucks, Inc.