

**Kalmar DRF450-60S5**

<b>Lifting data</b>	<b>DRF450-60S5</b>
Lifting capacity at load centre L4, rated – at max. lifting height (kg)	45000 – 42000
Lifting capacity at load centre L5, rated – at max. lifting height (kg)	27000 – 27000
Lifting speed, unloaded – at 70% of rated load (m/s)	0,42 – 0,25
Lowering speed, unloaded – at rated load (m/s)	0,36 – 0,36

<b>Driving data</b>	
Travelling speed forward, unloaded – at rated load (km/h)	25 – 21
Travelling speed backward, unloaded – at rated load (km/h)	18 – 16
Gradeability at 2 km/h, unloaded – at rated load (%)	40 – 22
Max. gradeability, unloaded – at rated load (%)	40 – 34
Drawbar pull, max (kN)	362
Stability according to EN 1459	

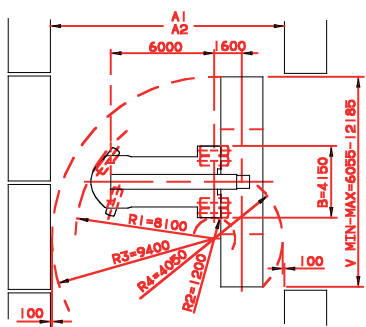
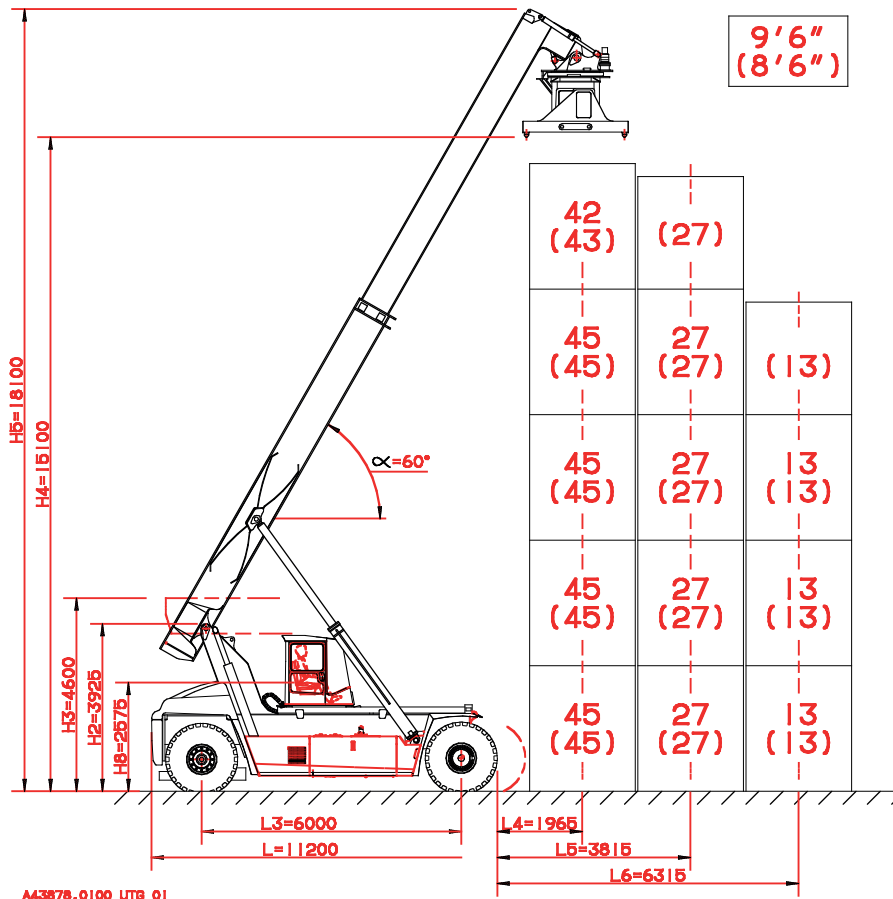
<b>Weight of truck</b>	
Service weight (kg)	67400
Axle load front at load centre L4, unloaded – at rated load (kg)	34600 – 100600
Axle load front at load centre L5, unloaded – at rated load (kg)	39000 – 86900
Axle load front at driving position according to EN 1459 and rated load (kg)	88800
Axle load rear at load centre L4, unloaded – at rated load (kg)	32800 – 11800
Axle load rear at load centre L5, unloaded – at rated load (kg)	28400 – 7500
Axle load rear at driving position according to EN 1459 and rated load (kg)	23600

<b>Engine</b>	
Manufacturer – type designation	Volvo TAD1360VE (Turbo-Intercooler)
Fuel – type of engine	Diesel – 4 stroke
Number of cylinders – compression (cm <sup>3</sup> )	6 – 18.1:1
Power according to ISO 3046 – at revs (kW/rpm)	256 – 1800
Torque according to ISO 3046 – at revs (Nm/rpm)	1740 – 1400
Alternator, type – power (W)	AC – 3600
Starting battery, voltage – capacity (V – Ah)	2×12 – 140
Fuel consumption, normal driving (l/h)	20
AdBlue consumption, normal driving (l/h)	0,7

<b>Transmission</b>	
Manufacturer – type designation	ZF – 5WG261
Clutch, type	Torque converter
Gearbox, type	Powershift
Number of gears, forward – reverse	5 – 3
Driving axle, type	Differential and hub reduction

<b>Wheels</b>	
Type	Pneumatic
Dimension, front – rear (inch)	18.00×25 – 18.00×25, PR40 E4
Number of wheels, front – rear (*driven)	4* – 2
Pressure (MPa)	1,0

<b>Miscellaneous</b>	
Steering system, type – maneuvering	Servo assisted – Steering wheel
Service brake system, type – affected wheels	Wet disc brakes – Drive wheel
Parking brake system, type – affected wheels	Spring brake – Drive wheel
Max. hydraulic pressure (MPa)	21,0
Noise level according to DIN 45635 part 36, cabin (db(A))	70
Noise level according to 2000/14/EC, outside (db(A))	–
Fuel volume (l)	550
AdBlue volume (l)	20
Hydraulic oil volume (l)	600
Overload protection	Electronic



**Dimensions**

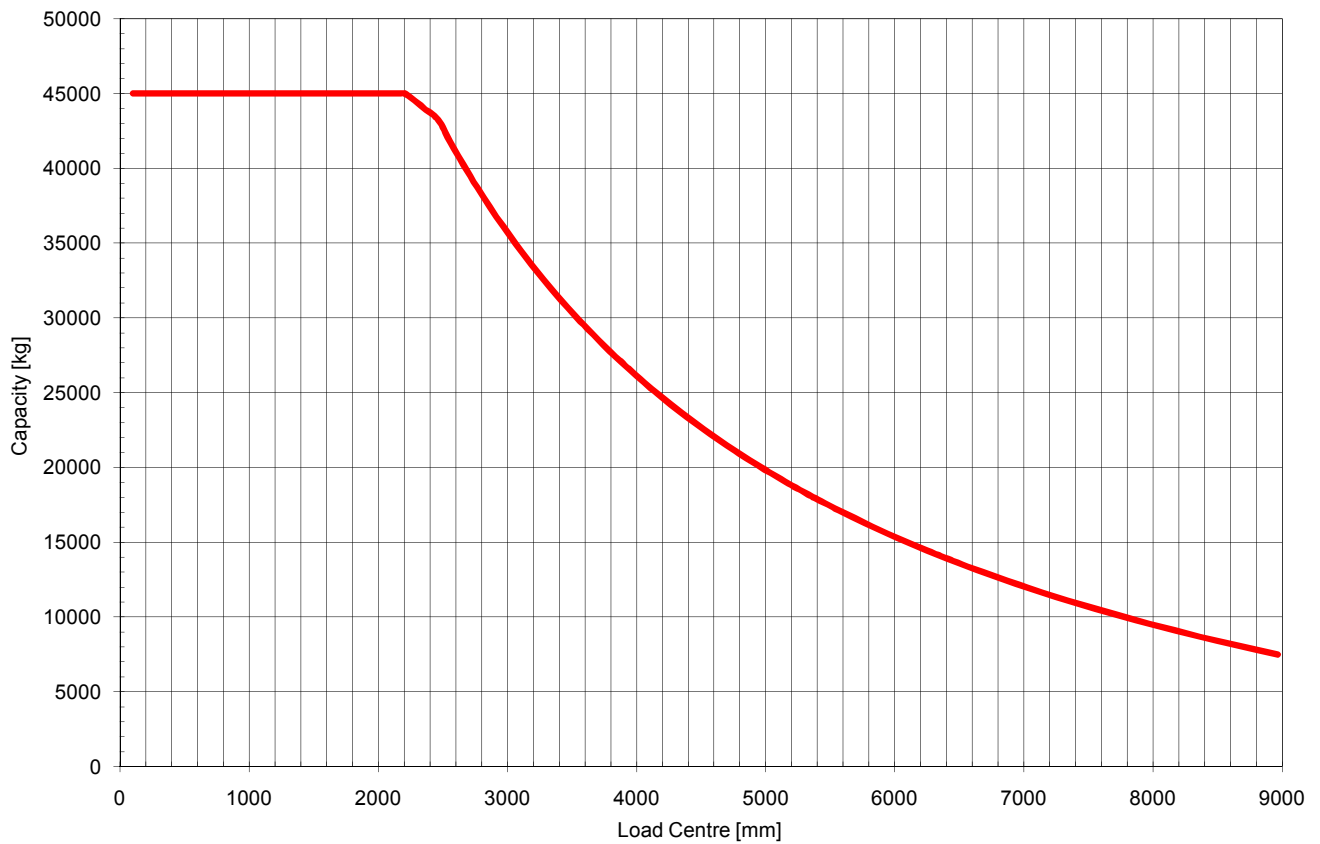
		<b>DRF450-60S5</b>
Beam angle, max (°)	$\alpha$	60
Attachment rotation, CW – CCW (°)	$\beta$	195 – 105
Min. aisle width for 90° stacking with 20' containers (mm)	A1	11200
Min. aisle width for 90° stacking with 40' containers (mm)	A2	13600
Sideshift $\pm$ (mm)	V1	$\pm 800$
Track (c-c), front – rear (mm)	S	3030 – 2600
Ground clearance, min. (mm)		250

The design and materials specification are subject to alternation without prior notice.  
Tolerances according to K-standard 95430.0008/0009

**Cargotec** improves the efficiency of cargo flows on land and at sea – wherever cargo is on the move. Cargotec's daughter brands Hiab, Kalmar and MacGregor are recognised leaders in cargo and load handling solutions around the world. Cargotec's global network is positioned close to customers and offers extensive services that ensure the continuous, reliable and sustainable performance of equipment. Cargotec's class B shares are quoted on the NASDAQ OMX Helsinki. [www.cargotec.com](http://www.cargotec.com)



**Cargotec Sweden AB**  
Torggatan 3  
SE-340 10, Lidhult, Sweden  
tel. +46 372 260 00  
fax +46 372 263 90  
[www.cargotec.com](http://www.cargotec.com)



**Cargotec** improves the efficiency of cargo flows on land and at sea – wherever cargo is on the move.

Cargotec's daughter brands Hiab, Kalmar and MacGregor are recognised leaders in cargo and load handling solutions around the world. Cargotec's global network is positioned close to customers and offers extensive services that ensure the continuous, reliable and sustainable performance of equipment.

Cargotec's class B shares are quoted on the NASDAQ OMX Helsinki. [www.cargotec.com](http://www.cargotec.com)



**Cargotec Sweden AB**

Torggatan 3

SE-340 10, Lidhult, Sweden

tel. +46 372 260 00

fax +46 372 263 90

[www.cargotec.com](http://www.cargotec.com)