

Technical passport machine and equipment

ZEPPELIN / SENNEBOGEN ABI PILING RIG ZR 28 T

Name of the base carrier : Sennebogen ZR 28 T
Fabr.- Nr.: of the base carrier: 5296148/CP
YOM : 7/1996
Weight : 24000 kg

Name of the mast : MS-M ABI -12000 T
S/N of the mast : 8576-96
YOM : 10/1996
Weight: approx. 6900 kg

Name of the vibrator: **ABI MRZV 600V**
Fabr.-Nr. of the vibrator: 2508
YOM: 1996
Weight: approx. 3150 kg

Name of engine: Deutz BF6L
Engine No.: 00153 887

1 EQUIPMENT SPECIFICATIONS

Base Machine

Uppercarriage

Model Zeppelin / Sennebogen ZR 28 T
Serial number 5296148/CP

Engine

Model Deutz BF6L
Engine serial number 00153887
Output 188 kW / 255 HP
Speed 3,5 km/h

Undercarriage

Width over crawlers 3000 mm
Length of crawlers 5880 mm
Width of track pads 500 mm

Mast Inclination

During operation without work equipment

Forward 3,8°
Backward 14°
To left 7°
To right 7°
turning left and right up to 90° both sites



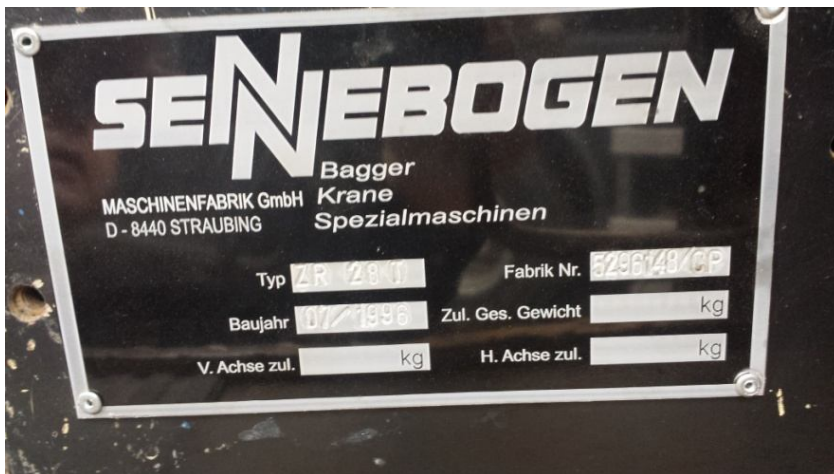
complete machine overview with vibrator



machine with leader in working position



Deutz Diesel - engine with hydraulic pumps



type plate for the machine



type plate for diesel fuel engine, DEUTZ (Germany)



DEUTZ Dieselfuel engine



side and part of back view



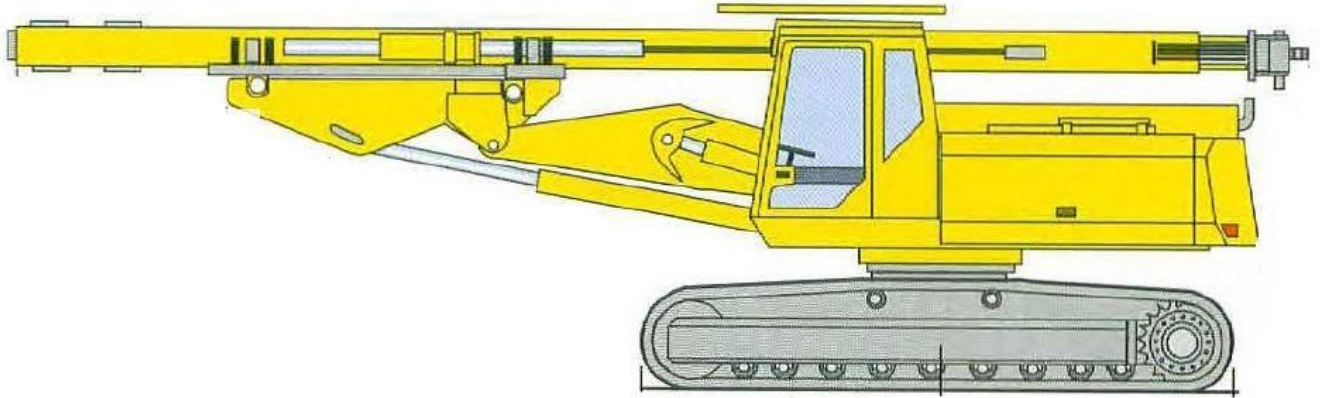
ABI Vibrator with hydraulic clamp

Type	:	MRVZ 600 V
operation weight	:	3150 kg
centrifugal force	:	600 KN
serial no.	:	2508
YOM	:	10/1996



2. Transport dimensions

Transportweight: approx 32.000 kg



Transport dimensions length 9500 x width 3000 x height 3300 mm

date of issue : 25-10-2014 / EM