

836G

Landfill Compactor



Cat® 3456 EUI Diesel Engine

Gross Power	392 kW	525 hp
Flywheel Power	358 kW	481 hp
Operating Weight	53 682 kg	118,348 lb

836G Landfill Compactor

An innovative, 21st Century landfill compactor designed for maximum production in the toughest environments.

Waste Protection

Waste resistant designs and features on the 836G combine to reduce production-robbing buildup of refuse, and provide added cooling capacity by preventing debris from entering the engine compartment. **pg. 4-5**

Wheels and Tips

Cat wheels are designed for the high performance expectations of the 836G, the Cat Axle Guard System, and power train. Equipped with Plus Tips or chopper blades, the 836G will provide productive and efficient compaction, as well as excellent traction and sidehill stability on sloped material. **pg. 6**

Landfill Features

- ✓ The Cat® Axle Guard System is standard along with several optional blades to match your site requirements — from spreading layers of refuse to dozing and clearing a dumping area. **pg. 7**

Revolutionary design, Caterpillar quality.

Cat has combined decades of waste handling experience with direct customer feedback in its design of a new Landfill Compactor. The 836 G-Series takes advantage of the latest technologies, while continuing the Caterpillar commitment to the industry since 1972.



Power Train

- ✓ The turbocharged and aftercooled Caterpillar® 3456 EUI diesel engine is U.S. EPA Tier 2 compliant and combined with Caterpillar planetary power shift transmission and Impeller Clutch Torque Converter with lockup clutch, provides excellent rimpull control for precise and efficient operation. **pg. 8-9**

Hydraulics

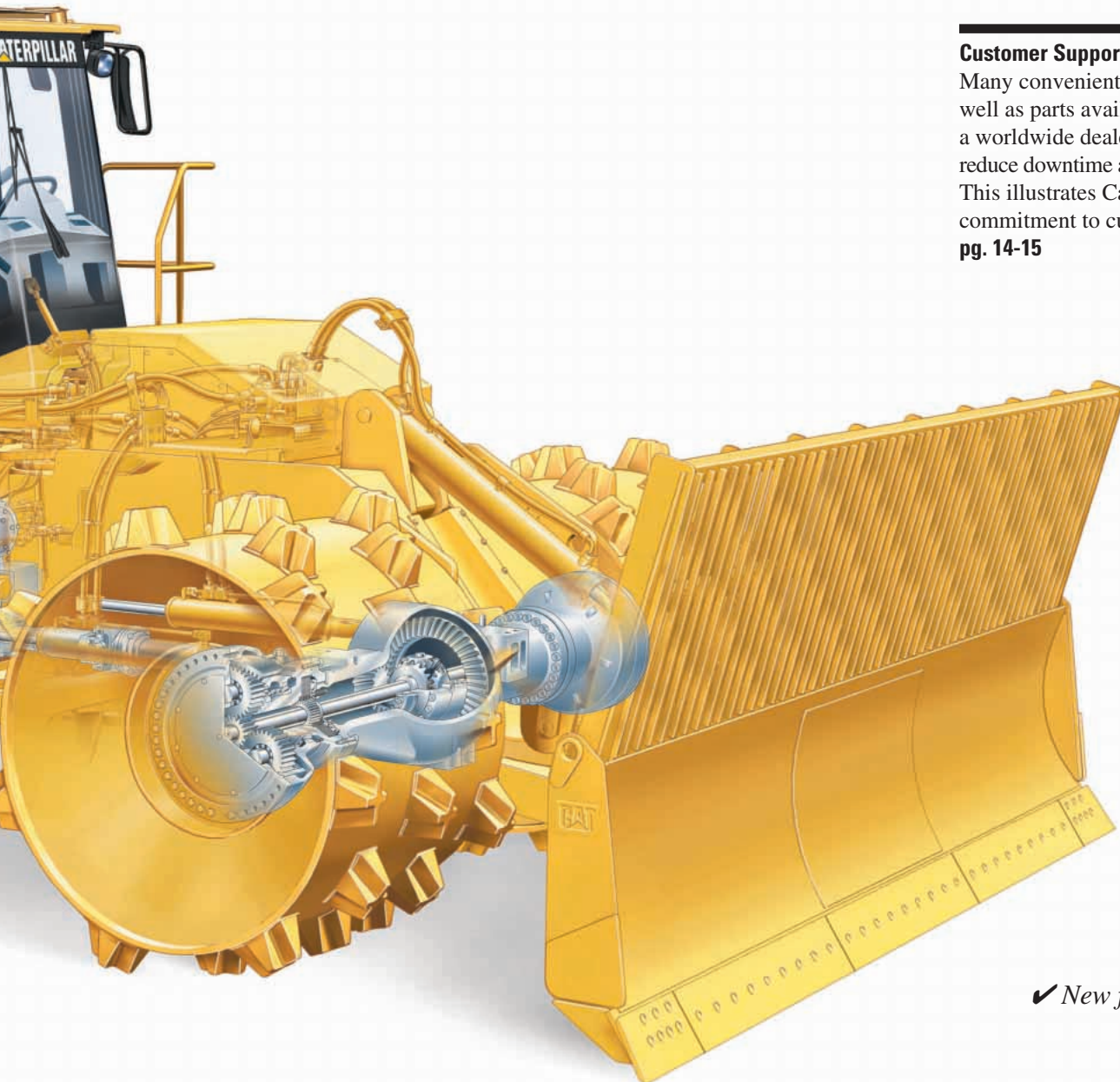
Innovative electro-hydraulics and load sensing steering play a key role in 836G performance and provide low operator effort. Increased flow rate results in faster hydraulics. Rugged XT-3 and XT-5 hose, O-ring face seals, and large-bore cylinders carry on the tradition of reliable, high-performance Caterpillar hydraulics. **pg. 10**

Operator Controls and Station

Experience a high level of efficiency and comfort with a state-of-the-art cab and Assist Steering, which integrates speed and direction switches into the steering wheel. One-hand operation, provided by the STIC controller, is available as an option. More glass area provides an improved range of viewing. Increased comfort through reduced sound levels, improved ventilation, increased roominess, and finger tip implement controls translates to increased operator productivity. **pg. 11-13**

Customer Support/Serviceability

Many convenient service features, as well as parts availability supported by a worldwide dealer network, help to reduce downtime and increase production. This illustrates Caterpillar's total commitment to customer support. **pg. 14-15**



✓ *New feature*

Waste Protection

Increases cooling capacity and reduces trash and debris build-up.



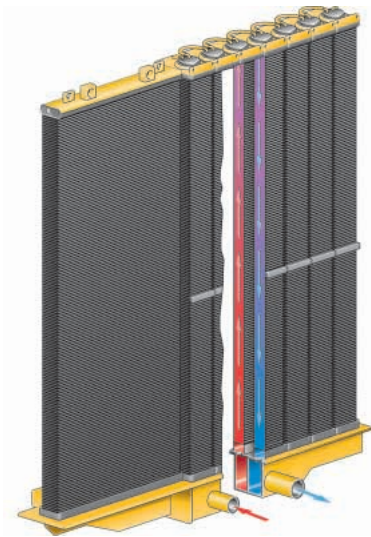
The new separated fan and cooling system on the 836G incorporates many trash resistant features, including an automatic reversing hydraulic demand fan, which reduces the chance of trash and debris entering the engine compartment. The system also reduces operating costs (fender cleanouts) and increases cooling capacity.

- 1 Roof mounted A/C** makes the rear cooling package easier to clean by removing the A/C core from the rear. The frequency of cleaning the condenser core is reduced, providing better cooling to the cab for longer periods of time.
- 2 Air inlet screen** is vertically corrugated fine mesh to help reduce trash from entering radiator area and allows debris to fall off.



Hydraulically driven demand fan automatically adjusts fan speed for optimum cooling, resulting in reduced power draw on the engine, better fuel efficiency, and more power for the hydraulics and rimpull.

- Demand fan swings out 65 degrees for easy cleaning.
- Reverses automatically at preset interval to remove trash from air inlet screen that may have accumulated.
- Also reverses manually from the cab.



AMOCS radiator module provides superior heat transfer and increased cooling with a two-pass system.



Electrically actuated engine and power train guards help prevent trash build-up and shield components from demolition debris, trash, wire, rebar and harmful chemicals.



Cab bottom guard protects hoses and wires beneath the cab from damage due to flying debris and waste.



Striker bars are in front and behind the rear wheels, and behind the front wheels. They provide substantially improved protection from trash that can be thrown or carried by the wheels. The front also provides for access to the fuel tank in front frame.



Front frame guards prevent trash build-up inside the frame that could damage hydraulic lines. The lift lines are in a higher location where damage from debris is less likely.



Rear access walkover stairway provides easy access to operator's station. Optional swingout stairway, provides for unparalleled access for clean-out, service and maintenance.



Bolt protection is provided on machine bottom to prevent premature wear out.



Fuel fill tube, optional fast fuel fill attachment, and fuel tank are positioned away from debris and easily reached.



Hydraulic tank is guarded to resist damage. Oil sight gauge is visible for easy checking.

Wheels and Tips

Cat 836G Landfill Compactor offers excellent traction, productivity, and high compaction.

Extending the life of your current site through increased compaction can be a cost-effective alternative to new site development.

The Caterpillar 836G Landfill Compactor, the heaviest in its class, is available in a combination of wheel tip designs to provide productive and efficient compaction in landfill applications.



Long-life Weld-on Plus Tips with Extended Abrasion-Resistant Material (ARM). Exclusive Plus-shaped design provides superior compaction densities, excellent traction and sidehill stability on sloped material. A widely-spaced tip pattern, engineered to require fewer tips than competitors, results in less plugging, lower replacement cost and maximum compaction. Each tip contains more wear material than competitive tips.

- Proven exceptional compaction.
- Caterpillar guarantees 10,000 hours or four years wear life.
- Lower replacement cost.
- Cat tips offer the lowest cost per hour of any compactor tips in the industry.



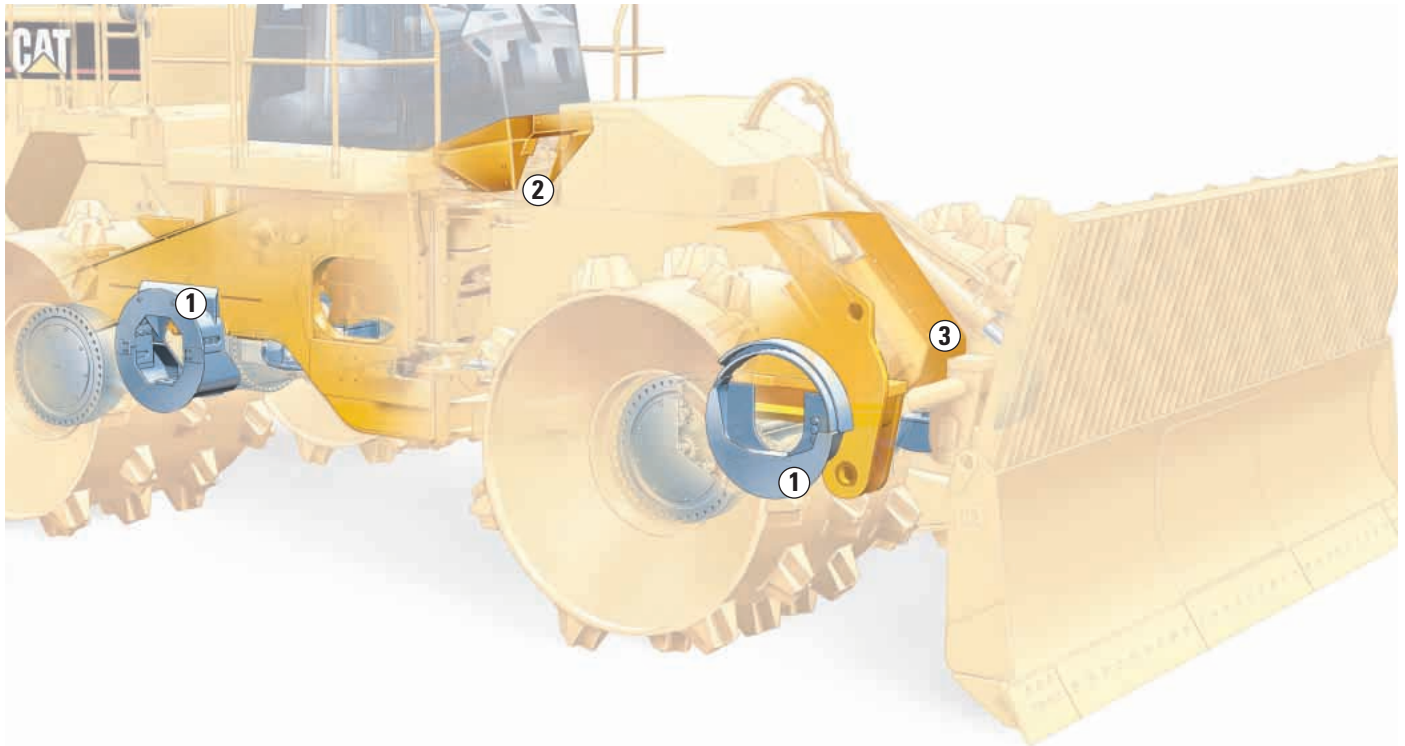
Self-cleaning Chopper Wheels (optional) are designed to deliver maximum compaction and traction in landfill work.

- Aggressive chopping action is provided by 28 blades per wheel.
- Heat-treated DH-2, Abrasion-Resistant Material steel blades provide longer wear.
- The staggered-chevron blade arrangement evenly distributes chopping coverage and blade center gussets help assure maximum refuse demolition.
- Blades are mounted differently on front and rear wheels to maximize chopping and compaction in both forward and reverse.

Smooth Wheel Option. If our tip selection does not meet your needs, consider Caterpillar smooth steel wheels. This option ensures that no matter what landfill tip you prefer, you get Caterpillar wheels built to our stringent specifications. Our manufacturing and research engineers work together to design, build and test a complete power train system. The wheels, a critical component to the total system, are manufactured in the same facility as our landfill compactors. This ensures the entire system is complemented by each component. Altering critical components can compromise our power train system that is designed for peak performance. If an off-the-shelf manufacturer's wheels are installed that do not meet our design specifications and do not balance the load over our final drives, bearing life could be reduced substantially and cause premature wear out of other components, resulting in unnecessary downtime. This situation runs contrary to the Caterpillar goal to keep our customers operating with maximum productivity, performance and compaction. This option also allows our standard axle guard system to work with the components for which it was designed.

Landfill Features

Standard and optional features are designed for heavy-duty work in waste management situations.



The Cat Axle Guard System protects final drives, planetaries and seals from damage caused by wire, cable, plastics or other materials which can wrap or become packed around axle components.

- Guarding increases axle circumference to avert stringy materials from wrapping and encircling the axle.
- Extended rim wheels further help to seal out materials which cling to wheel or axle surfaces.
- Recessed bolt heads reduce snagging of stringy or stranded materials.
- System reduces the need for periodic cleaning of axle assemblies.

The Axle Guard System is comprised of three basic components:

- Frame bosses are first welded to the frame.
- Bolt-on guarding assemblies (1) are then mounted onto the frame bosses and frame.
- Rim extensions complete the assembly and are welded directly to rims of the wheels.

A cab bottom guard (2) protects hoses and wires beneath the cab from damage due to flying debris and waste.

Front frame guards (3) prevent trash build-up inside the frame that could damage hydraulic lines.



Optional Front Window Guard. An all new, tubular steel guard across the bottom of the front cab glass prevents large debris from damaging the lower portion of the front windows.

Ground clearance has been increased by 76 mm (3 in).

The straight blade is ideal for most waste management applications.

- Built to withstand the rigors of heavy-duty dozing.
- Versatile blade for most applications.
- Trash rack design provides excellent viewing and load-carrying capability.
- Design incorporates Cat cutting edges.

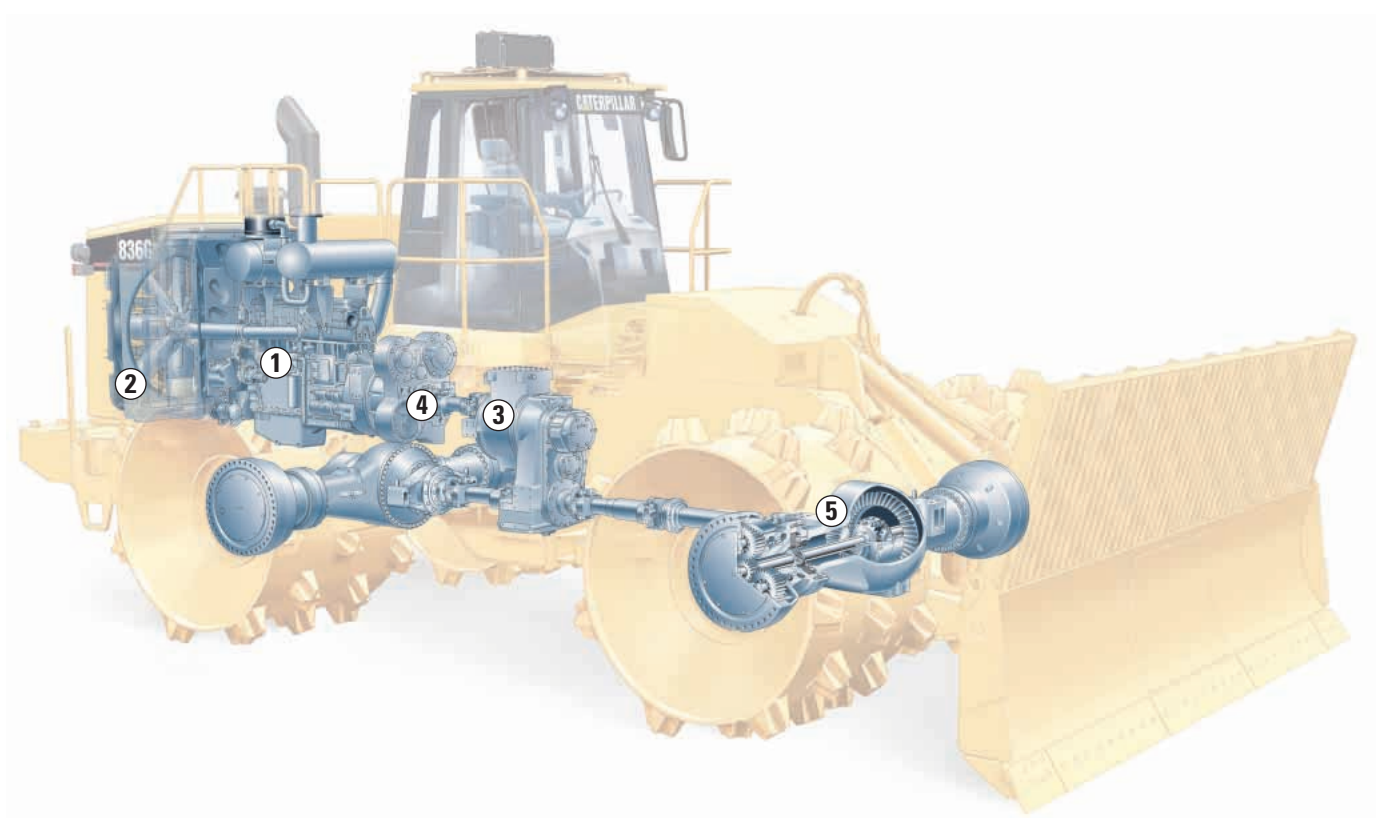
The U-Blade is heavier and has a larger capacity than the straight blade.

- Offers more control of trash when pushing longer distances.

See a Caterpillar dealer for blade and other specialty attachments available from Caterpillar.

Power Train

836G power train components deliver dependable, reliable performance customers expect from Cat Landfill Compactors.



- **1 The Caterpillar 3456 Diesel Engine** is based on one of the most popular Cat engines available — the 3406E. It meets U.S. Environmental Protection Agency Tier 2 emissions regulations and Stage II EU Emissions Directive 97/68/EC. The 3456 features 481 net horsepower, compared to the 473 horsepower available in the previous model. The 3456 provides quick response, high productivity and exceptional service life while improving fuel efficiency up to 17 percent.
- **The 49 percent torque rise** provides high lugging force during dozing and spreading applications and acceleration in high rimpull conditions.
 - The torque curve effectively matches the transmission shift points to provide maximum efficiency and faster cycle times.

- **Two-piece articulated pistons**, with forge steel crown and cast aluminum skirts, are gallery cooled by oil spray for improved oil control and increased service life. These gallery cooled steel pistons feature:
 - Better ring cooling.
 - Reduced emissions.
 - Better performance.
 - Improved fuel efficiency.
- **Airflow matched turbocharger** with power rating helps reduce emissions.
- **Nineteen percent more bearing area** allows the engine to operate at the maximum cylinder pressure.
- **Higher cylinder pressure capability** helps reduce fuel consumption and improves high altitude operation.

- **Aftercooler lowers inlet charge temperature** and reduces thermal stress that can cause premature wear of pistons, rings, and liners.
- **Cylinder head exhaust port sleeves** reduce heat rejection, which results in less heat transfer into the water jacket system.
- **Advanced Diesel Engine Management II (ADEM II)** system controls the fuel injector solenoids to start and stop fuel injection. This system provides automatic altitude compensation, air filter restriction indication, and will not allow the engine to fire until it has oil pressure — acting as cold start protection.

2 Separate engine cooling system

isolates the radiator and fan from the engine compartment, which provides:

- Lower sound levels.
- A cleaner engine compartment.
- A sloped hood for improved viewing.
- More efficient cooling by drawing air through the side instead of through the engine compartment.

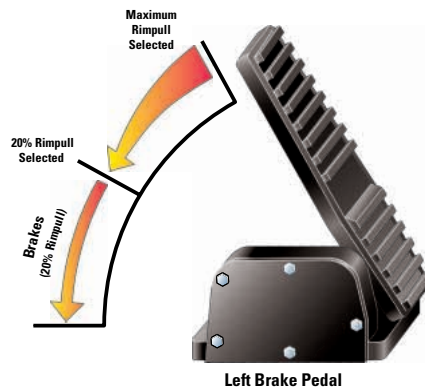
- **Advanced Modular Cooling System (AMOCS)** improves cooling capabilities with 10 cores using a two-pass system.

- Coolant travels from the engine up the fan side of the cores over the top and down the engine side of the cores.
- With no top tank to remove and no tilting of radiator guard required to remove any cores, serviceability is improved.

3 Caterpillar planetary, electronic, power shift transmission.

Electronic shifting provides smooth, consistent shifts with finger tip controls housed in the steering system. Large diameter clutches coupled with four and five planet gear trains provide added durability for extended, trouble-free life.

- **The programmable Controlled Throttle Shift** works with the transmission ECM to prolong transmission life through efficient shifting.



4 Impeller Clutch Torque Converter

offers improved rimpull control and extended tip and wheel life. The torque converter is equipped with a lockup clutch and free wheel stator for improved fuel efficiency.

- **Left pedal control** allows the operator to reduce rimpull from 100 percent to 20 percent while maintaining high engine speed for slower controlled work without a loss of power. After 20 percent is achieved, further pedal travel applies the brake.
- **Impeller clutch** is locked in fully engaged position for maximum engine power transfer.
- **Lockup clutch** provides direct drive efficiency for increased productivity and improved fuel economy on long distance dozing.

5 Oil-enclosed, multiple-disc brakes

on front axle provide consistent performance and reliability through heat rejection and easy serviceability.

- **Inboard mounted brakes** operate on the low-torque side of the final drive, requiring less braking force. The location of the brake disc improves axle oil circulation, promoting efficient cooling and heat dissipation. The overall result is less heat build up and a long service life.
- **Parking brake** is dry disc, spring applied, and oil released. It is mounted on the transmission transfer gear output shaft for manual operation.
- **EMS II** monitors the parking brake and alerts the operator if the brake is engaged.

Hydraulics

Well-balanced hydraulics deliver precise low-effort control and trouble-free operation.



Revolutionary electro-hydraulic control system provides low-effort fingertip control. Floor-mounted control pod lever sends electrical signals to a pilot valve mounted on the front frame. This moves the sound, heat and effort caused by a hydraulic valve out of the operator's station.

1 Lift lines are in a higher location where damage from debris is less likely.

Low-effort, Assist, or STIC steering are other results of innovative design. A new mechanical feedback system and a redesigned valve ratio provide quarter-turn wheel or side-to-side STIC steering. Unlike systems that rely on steering wheel velocity to activate steering cylinders, this system directly links steering wheel or STIC position to articulation angle. This provides:

- Precise control.
- Quicker response.
- Dramatically reduced operator motion and effort.

Load sensing steering maximizes machine performance by directing power to the steering system only when the operator steers the machine. This allows more power to be applied to the ground when the machine is not being steered. It also helps decrease fuel consumption because the steering system does not constantly draw on the engine.

XT-3 and XT-5 hose, O-ring face seals, and large capacity lift cylinder top off the hydraulic system, delivering the performance and durability owners expect. Reliable components reduce the risk of leaks and blown lines, helping protect the environment, and reducing operating costs.



The Reversing Demand Fan is a speed controlled, hydraulic fan that provides maximum cooling efficiency. Power is directed through the fan system only when it is needed and reverses automatically to purge debris. (Pressing rocker switch in cab may also manually reverse fan.)

Operator Controls

A revolutionary way to operate with easy-to-use, low-effort controls.



The 836G benefits significantly from the dramatic reduction in operator motion effort provided by Assist steering, STIC steering, and hydraulic blade controls. These features make the 836G the easiest operating machine in its size class.

1 Assist steering allows one hand operation of steering and transmission controls. Unlike traditional steering, which rotates more than one full turn, the assist steering wheel rotates approximately 50 degrees in both directions. Tilt and telescoping steering column help fit the machine to the operator.

2 STIC Control System (optional) is a revolutionary system that integrates steering and transmission into a single controller. Simple side-to-side motions of the operator's left arm turn the machine right or left.

- Transmission shifting forward, neutral or reverse is controlled by the operator's fingers, and gear selection is controlled by the operator's thumb.
- Produce a fluid motion that reduces effort and allows the operator to work the machine for long periods with little or no fatigue.

3 Floor-mounted electro-hydraulic blade controls are adjustable fore and aft, with a height-adjustable armrest so that operators of any size can find a comfortable operating position. Single lever control allows operator to control blade functions.

Operator Station

Comfort and control — a top-quality operator station will help maximize productivity.



The 836G cab design promotes productivity and operator comfort.

The cab includes improved viewing area and ventilation, intermittent wet-arm wipers, ergonomic design and control placement, and is radio-ready for two-way radios.

Improved viewing in all directions:

- Extended windows open the operator's view for exceptional forward and peripheral viewing.
- Bonded glass in the front window eliminates distracting metal frames for improved operator viewing to the blade.
- The downsloped hood improves rearward viewing by allowing the operator to see objects closer to the machine.

- 1 Internal ROPS** improves visibility and styling, giving the 836G a sleek new look.
- 2 Left foot pedal** operates Impeller Clutch Torque Converter for about the first inch of travel, then engages the brakes. Within the first inch of pedal travel, rimpull can be controlled from 100 percent to 20 percent.
- 3 Comfort Series seat** is six-way adjustable and has a one inch thicker seat cushion, providing increased operator comfort and support. The seat cushions reduce the pressure on the lower back and thighs, while offering freer arm and leg movement. Air suspension adds to the overall comfort level for a smooth ride over rough terrain.
- 4 Throttle lock** allows operator to preset the engine speed and remove his foot from accelerator pedal while maintaining constant power. The throttle lock can be deactivated by pressing the brake pedal.

- 5 Electronic Monitoring System (EMS)** provides gauges, tachometer, speedometer, and three-level warning for full-time monitoring of key functions. The system alerts the operator of immediate or impending problems with engine oil pressure, brake oil pressure, charging system, parking brake, hydraulic oil level, transmission filter, and low fuel.

- 6 Heating, air conditioning and lights** are controlled by easy to access rocker and rotary switches located above right door.

- 7 Armrests and controls** are mounted on the floor and off of seat for a more durable seat and added stability of controls.

Ventilation ducts and vents provide better airflow to the operator and windows through 12 louvered vents, including two on each door post.

Complete Customer Support

Cat dealer services help you operate longer with lower costs.



Cat dealers offer a wide range of services that can be set up under a customer support agreement when you purchase your equipment. To help you get the best return on your investment, the dealer will help you choose a plan that can cover everything from machine and attachment selection to replacement.

Selection. Customers should make detailed comparisons of the machines under consideration before buying. Cat dealers can give precise answers to these questions: How long do components last? What is the cost of preventive maintenance? What is the true cost of lost production?

Purchase. Look past initial price. Consider the financing options available as well as day-to-day operating costs. This is also the time to look at dealer services that can be included in the cost of the machine to yield lower equipment owning and operating costs over the long run.

Operation. Improving operating techniques can boost your profits. Cat dealers have training videotapes, literature and other ideas to help you increase productivity.

Maintenance. More and more equipment buyers are planning for effective maintenance before buying equipment. Choose from a Cat dealer's wide range of maintenance services at the time of purchase. Repair option programs guarantee the cost of repairs up front. Diagnostic programs such as S•O•SSM Fluids Analysis and Technical Analysis help avoid unscheduled repairs.

Replacement. Repair, rebuild or replace? Cat dealers can help evaluate the cost involved so you can make the right choice.

Product support. You will find nearly all parts at a Cat dealer parts counter. Cat dealers utilize a world-wide computer network to find in-stock parts to minimize machine down time. Save money with remanufactured parts. You receive the same warranty and reliability as new products at cost savings of 40 percent to 70 percent.

Literature support. An easy-to-use operation and maintenance manual helps you get the full value from an equipment investment.

Serviceability

Keep your machine up and running with easy-to-perform daily maintenance.



Accessibility for daily maintenance has never been easier than on the 836G. If maintenance is simple and accessible, it gets done.

- 1 Standard swing-out radiator fan** provides for easy access to the radiator cores for easy cleaning and/or inspection.
- 2 Advanced Modular Cooling System (AMOCS) maintenance** is simplified since it is isolated from the engine compartment and allows service technicians to replace individual cores for enhanced serviceability.
- 3 Swing-out doors on both sides of the engine compartment** provide easy access to the engine oil dipstick and filler spout, S•O•SSM port, fuel filters, engine oil filters, alternator, starting receptacle, air filter service indicator and ether starting aid. Disconnect switch and diagnostic connector are located in rear platform.
- 4 Cab support** bracket provided with every machine improves access under the cab. The bracket is conveniently stored behind the cab.
- 5 Optional swing out stairways** provide easy inspection of rear axle components and access to engine compartment.

Electronic Monitoring System II notifies the operator and service technician of potential problems and logs events.

Diagnostic connector enables quick evaluation of eleven starting and charging functions.

U-Joints and slip shaft are permanently lubricated.

Lube points are centralized in accessible locations from ground level for quicker and easier service.

Engine

Four-stroke cycle, six cylinder, Cat 3456 Turbocharged and Air-to-air Aftercooled Diesel Engine.

Ratings at 1,900 rpm*	kW	hp
Gross power	392	525
Net power	358	481

The following ratings apply at 1,900 rpm when tested under the specific standard conditions for the specified standard:

Net Power	Direct Drive		Converter Drive	
	kW	hp	kW	hp
Caterpillar	336	451	358	481
EEC 80/1269	336	451	358	481
ISO 9249	336	451	358	481
SAE J1349 (JAN90)	333	446	358	477

Dimensions

Bore	140 mm	5.5 in
Stroke	172 mm	6.75 in
Displacement	15.8 liters	966 in ³

Power rating conditions

- based on standard air conditions of 25° C (77° F) and 99 kPa (29.32 in Hg) dry barometer
- used 35° API gravity fuel having an LHV of 42 780 kJ/kg (18,390 Btu/lb) when used at 30° C (86° F) [ref. a fuel density of 838.9 g/L (7.001 lb/gal)]
- net power advertised is the power available at the flywheel when the engine is equipped with air cleaner, muffler, alternator, and hydraulic fan drive
- no derating required up to 2286 m (7,500 ft) altitude

Features

- direct-injection fuel system with individual adjustment-free injection pumps and valves
- three-ring, aluminum alloy pistons, cam-ground, tapered and cooled by oil spray
- steel-backed, copper-bonded, aluminum crankshaft bearings
- pressure lubricated with full-flow filtered and cooled oil
- dry-type air cleaner with primary and secondary elements, automatic dust ejector and service indicator
- direct-electric 24-volt starting system with ether, 100-amp alternator and two, 12-volt, 190-amp-hour batteries

Transmission

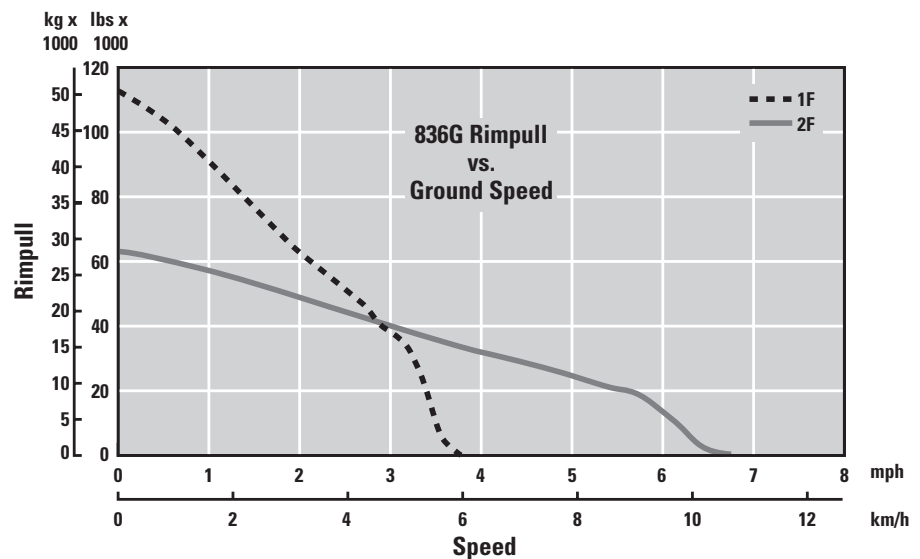
432 mm (17 in) planetary power shift transmission with two speeds forward and reverse.

Maximum speeds, forward and reverse, with lock-up (clutch) engaged.

		km/h	mph
Forward	1	6.1	3.8
	2	10.9	6.8
Reverse	1	6.4	4.0
	2	11.4	7.1

Features

- electronic shift control
- control throttle shift feature
- speed and direction finger tip controls are housed in Assist steering wheel or optional STIC controller
- Impeller Clutch Torque Converter is standard with lockup clutch



Brakes

Meets the following standards: OSHA, SAE J1473 DEC84, ISO 3450-1985.

Service brake features

- brakes located on two front wheels with stopping capability provided to all four wheels through full-time all-wheel driveline
- completely enclosed
- self adjusting with modulated engagement
- two brake pedals allow standard braking with right pedal and transmission neutralization braking with left pedal
- ease of service by unbolting spindle joint to expose brake components

Parking brake features

- spring applied, oil-released, dry drum brake
- mounted on transmission output shaft driveline for manual operation
- electronic monitoring system alerts operator if transmission is engaged while parking brake is applied

Secondary brake features

- electronic monitoring system alerts operator if pressure drops and automatically applies parking brake
- operator can apply manually

Hydraulic System

Gear pump output at 2,014 rpm and 2400 kPa (3,480 psi)	188 L/min	26.5 gpm
Relief valve setting	24 100 kPa	3,500 psi
Lift cylinder bore × stroke	127 mm × 740 mm	5" × 29.1"

Service Refill Capacities

	L	Gallons
Fuel tank	795	210
Cooling system	91	24
Crankcase	60	16
Transmission	83	22
Differentials and final drives *		
front	148	39
rear	148	39
Hydraulic system (including tank)	240	63.4
Hydraulic tank	140	37

* With 2 liters (.53 gallons) of additive

Final Drives

All-wheel drive.

Features

- planetary reduction at each wheel
- torque developed at the wheel, less stress on the axle shafts
- planetary units can be removed independently from the wheels and brakes

Axles

Fixed front, oscillating rear ($\pm 6^\circ$).

Features

- maximum single-wheel rise and fall 448.3 mm (17.6")
- bevel gear set and differentials
- Duo-Cone seal between axle hub and housing
- axle shaft brakes
- use SAE 30 or 40W (depending on temperature) (oil change interval every 2,000 hours or one year)

Wheels

Plus Tip Teeth wheels with Abrasion-Resistance Material (ARM).

Drum width	1397 mm	4'7"
Outside diameter	2050 mm	6'7"
Drum diameter	1720 mm	5'7"
Tips per row	7	
Tips per wheel	35	
Replacement	weld-on	

Chopper-blade wheels (optional)

Drum width	1397 mm	4'7"
Outside diameter	1992 mm	6'5"
Drum diameter	1672 mm	5'5"
Blades per row	7	
Blades per wheel	28	
Replacement	N/A	

Cab

Integrated Rollover Protective Structure (ROPS) is standard.

Features

- reduced sound levels
- the operator sound exposure Leq (equivalent sound pressure level) measured according to the work cycle procedures specified in ANSI/SAE J1166 OCT98 is 77 dB(A), for the cab offered by Caterpillar, when properly installed and maintained and tested with the doors and windows closed
- the exterior sound pressure level for the standard machine measured at a distance of 15 meters according to the test procedures specified in SAE J88 JUN 86, mid-gear-moving operation, is 82 dB(A)
- ROPS meets the following criteria:
 - SAE J1040 MAY94
 - ISO 3471:1994
- also meets the following criteria for Falling Objects Protective Structure (FOPS):
 - SAE J231 JAN81
 - ISO 3449:1992 LEVEL II
- standard air conditioning system contains the environmentally safe R-134A refrigerant

NOTE: Sound Suppression package is available, but levels have not been tested at time of print.

Blades

	Straight Blade	U-Blade
Width over end bits	5193 mm (17'0")	5273 mm (17'5")
Height	2222 mm (7'3")	2215 mm (7'3")
Lift speed at rated rpm	364 mm/sec (1'4"/sec)	364 mm/sec (1'4"/sec)
Cutting edges, reversible:		
Length, each end section (3 edges)	1408.2 mm (4'7")	817 mm (2'8")
Length, each end section (2 edges)	—	990 mm (3'3")
Width × thickness	254 mm × 25 mm (10" × 1")	254 mm × 25 mm (10" × 1")
End bits (2), self-sharpening:		
Length, each	472 mm (1'6")	Right 472 mm (1'6") Left 432 mm (1'5")
Width × thickness	254 mm × 25 mm (10" × 1")	254 mm × 25 mm (10" × 1")
Capacity, rated	19.8 m ³ (25.9 yd ³)	25.8 m ³ (33.7 yd ³)
Turning radius outside corner of blade	8737 mm (28'8")	9125 mm (29'11")

NOTE: See your Cat dealer for other blade options.

Frame

Articulated frames fabricated from steel plate and rolled box sections.

Features

- front and rear frames coupled by two hardened steel pins
- each pin rides in two tapered roller bearings
- robotically welded for increased fatigue strength

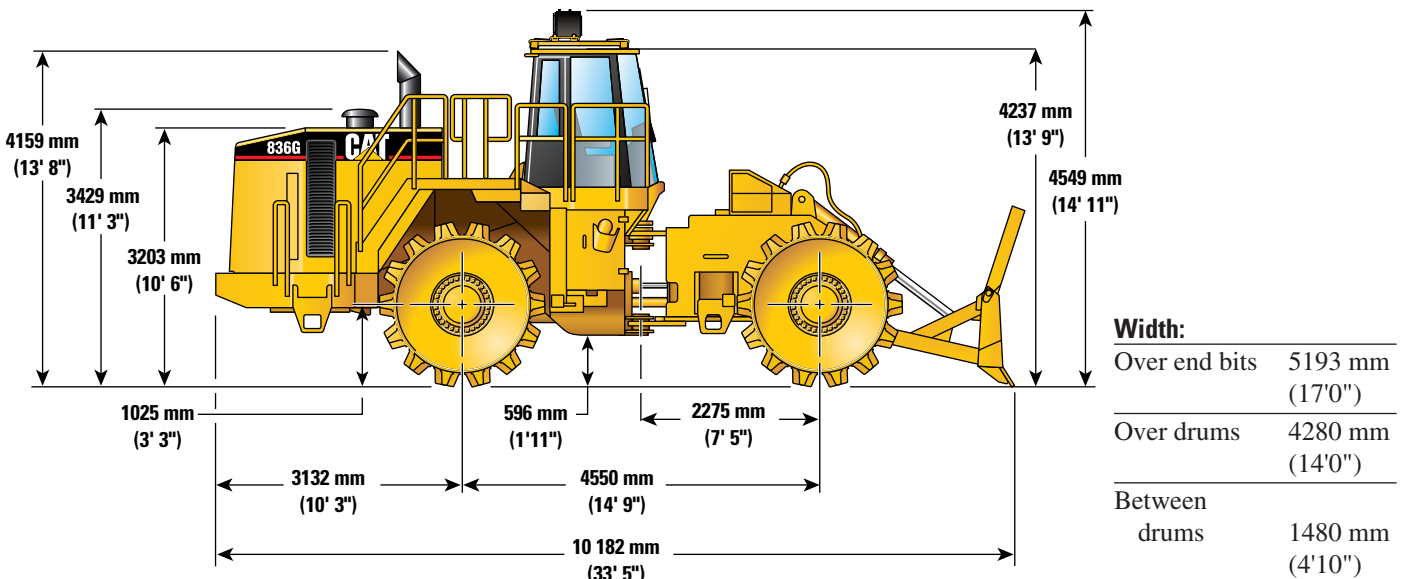
Weight (approximate)

Maximum operating weight includes ROPS cab, full fuel tank, coolant, lubricant, landfill blade, 1397 mm (55") Plus Tips, an 82 kg (180 lb) operator and all available options with the greatest weight 53 682 kg (118,348 lb).

NOTE: Optional equipment weight varies.

Dimensions

All dimensions are approximate.



Standard Equipment

Standard and optional equipment may vary. Consult a Caterpillar dealer for specifics.

Electrical

100-amp alternator
 Backup alarm
 Electric starter (heavy-duty)
 Lighting system, Halogen (front and rear)
 Maintenance-free batteries
 Master disconnect, lockable
 Starting receptacle for emergency starting
 Starting and charging system diagnostic connector

Operator environment

Air conditioner (roof mounted)
 Air suspension Cat Comfort seat
 Cab, ROPS, sound suppressed, pressurized
 Cigar lighter
 Dome lights (cab)
 Electric horn
 Electro-hydraulic implement controls
 Gear selection display
 Heater and defroster
 Hour meter display, electric
 Implement system lock
 Electronic Monitoring System II (EMS II) Instrumentation
 Gauges (4):
 Engine Coolant Temperature
 Hydraulic Oil Temperature
 Torque Converter Temperature
 Fuel Level

Warning Indicators (9)
 Brake Oil Pressure
 Coolant Flow Status
 Electrical System, low voltage
 Engine Oil Pressure
 Hydraulic Filter Status
 Parking Brake Status
 Steering Oil Pressure
 Transmission Filter Status
 Engine Overspeed
 Radio-ready cab for entertainment or 2-way radio (Antenna, Speakers, and Converter included)
 Rearview mirrors (exterior mounted)
 Seat belt, retractable
 Steering, Assist (wheel) pilot operated
 Throttle lock
 Wet-arm wiper/washers (front and rear)

Power Train

Advanced Modular Cooling System (AMOCS) radiator
 Caterpillar 3456 EUI Diesel Engine (with 500 hour oil change interval crankcase and CH4 oil)
 Differentials, NoSPIN (front)
 Engine air intake precleaner
 Fuel priming aid (ether)
 Full hydraulic, enclosed, wet multiple-disc brakes (front)

Hydraulically driven, automatically reversible Demand fan (swing out)
 Planetary power shift transmission with 2F/2R speed range control
 Muffler (under hood)
 Torque converter, Impeller Clutch with Lockup Control System
 Transmission neutralizer on/off switch

Other standard equipment

Axle guards, front and rear
 Drawbar hitch with pin
 Electrically actuated power train and crankcase guards
 Engine, crankcase, 500-hour interval with CH4 oil
 Hydraulic oil cooler
 Landfill guard package
 Locking engine enclosures
 Stairways, fixed left and right (rear access)
 Striker bars
 Vandalism protection caplocks

Wheels

1397 mm (55"), long-life, weld-on plus tips with 7 wear bars on inside wheel disc

Optional Equipment

With approximate changes in operating weights.

	kg	lb		kg	lb
Bulldozer arrangement			Mirror, inside (panoramic)	5	11
Straight blade	3120	6,880	Sound suppression	80	177
U-blade	3840	8,465	Stairway, Swing, left and right	54	119
Cab, Rubber mounted glass	14	30	STIC Steering	-4	-9
Cleaner bars, front and rear (fingers between Plus Tips)	1111	2,450	Wiper, Intermittent rear	1	2
Differentials, NoSPIN (rear)	5	11	Visor, Front	5	10
Fast fill system			Wheels		
Fuel	4	8.8	Smooth	-3827	-8,436
Oil	1.2	2.6	Chopper blades	-1810	-3,990
Filtration, Case Drain	12	5	Rim Extensions (for axle guards)	1060	2,336
Heater, engine coolant	1.8	4	Various wheels, see price list		

836G Landfill Compactor

AEHQ5343-01 (4-03)

Replaces AEHQ5343

For more complete information on Cat products, dealer services,
and industry solutions, visit us on the web at www.CAT.com

© 2003 Caterpillar
Printed in U.S.A.

Materials and specifications are subject to change without notice.
Featured machines in photos may include additional equipment.
See your Caterpillar dealer for available options.

CATERPILLAR[®]