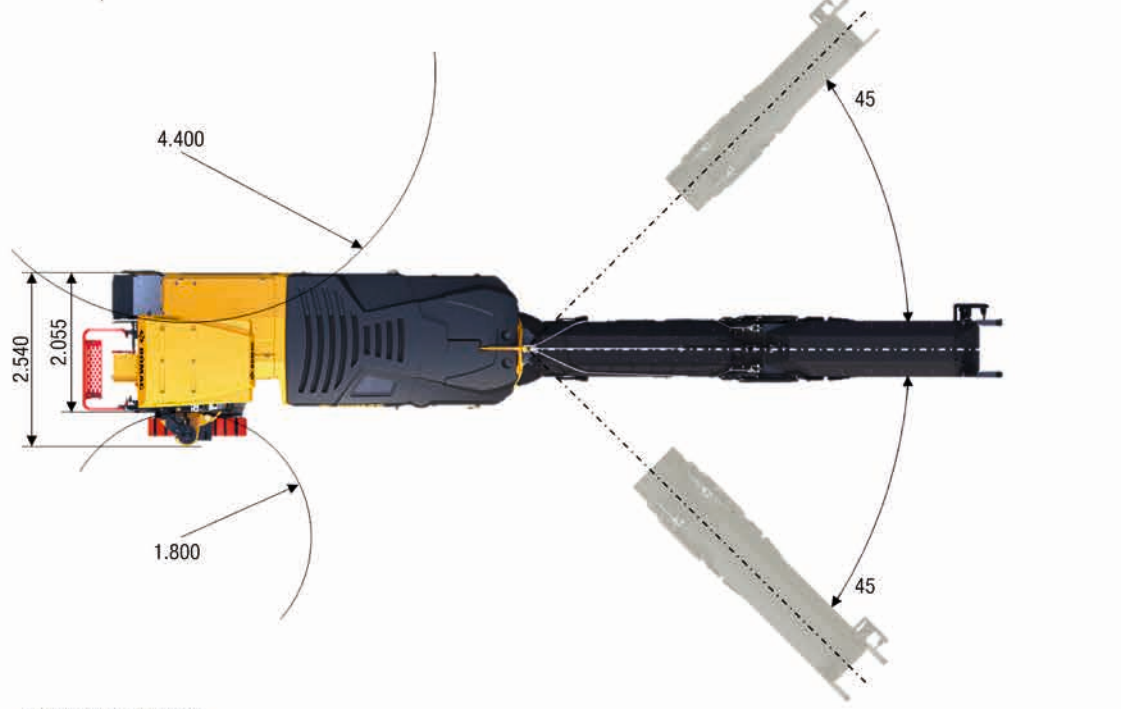
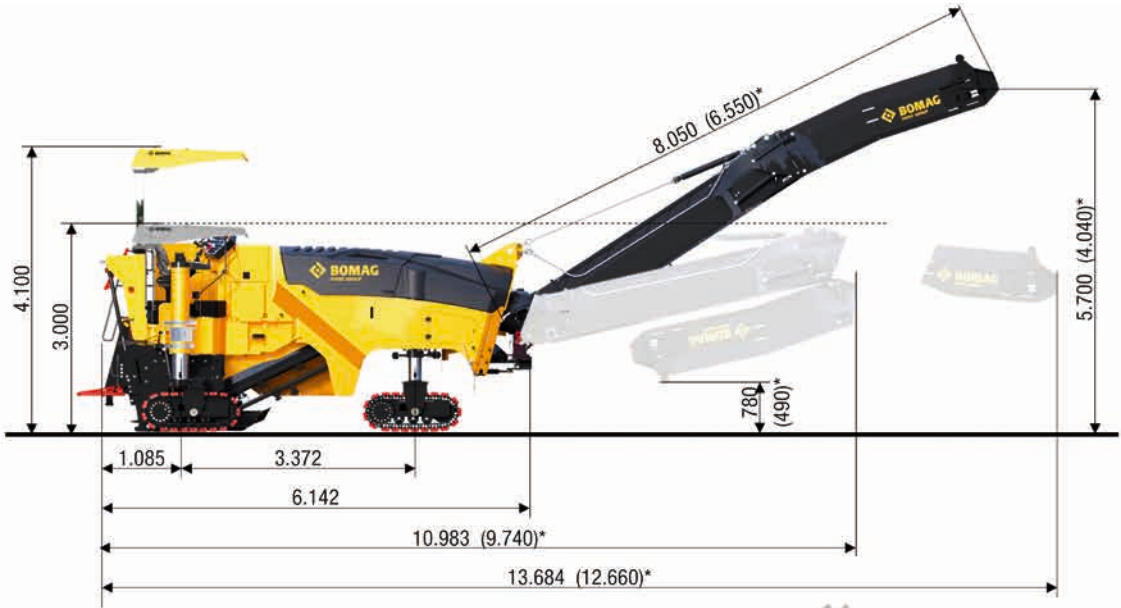


TECHNICAL DATA

COLD PLANER (TIER 3)
BM 1000/35, BM 1200/35, BM 1300/35





BM 1200 & BM 1300



* FO22

Technical Data

Milling Drum

Milling width max.	mm	1.000	1.200	1.300
Milling depth	mm	0 – 330	0 – 330	0 – 330
Milling line space	mm	15	15	15
Cutting diameter	mm	980	980	980
No. of Tools		99	115	121
Milling Drum Speed	min ⁻¹ min ⁻¹	variable, 85, 95, 107	variable, 85, 95, 107	variable, 85, 95, 107

Drive

Engine Manufacturer		MTU (Mercedes)	MTU (Mercedes)	MTU (Mercedes)
Type		OM 926 L	OM 926 L	OM 926 L
Emission standards		3/3a	3/3a	3/3a
Cooling		Liquid cooled	Liquid cooled	Liquid cooled
No. of cylinders / Displacement	cm ³	6 / 7.200	6 / 7.200	6 / 7.200
Power	kW / PS	240 / 326	240 / 326	240 / 326
Engine Speed	U/min	2.200	2.200	2.200
Peak Torque	Nm	1.300	1.300	1.300
Consumption at rated Power	g/kWh	215	215	215
Consumption at Job-mix	l/h	26	26	26
Generator	V / A	28 / 150	28 / 150	28 / 150
Battery	V / Ah	2 x 12 / 155	2 x 12 / 155	2 x 12 / 155

Driving Characteristics

Transport-speed	km/h	0 – 7,5	0 – 7,5	0 – 7,5
Operating-speed	m/min	0 – 50	0 – 50	0 – 50
Crawler size L x W x H	mm	1.425 x 268 x 570	1.425 x 268 x 570	1.425 x 268 x 570

Capacities

Fuel	l	600	600	600
Water	l	1.450	1.450	1.450
Hydraulic	l	150	150	150

Loading-system

Conveyer width, inside / outside	mm	650 / 600	650 / 600	650 / 600
Theoretical capacity	m ³ /h	180	180	180
Discharge height	mm	5.700	5.700	5.700

Weights

Max. Operating weight (incl. Options)	t	25,5	26,5	26,7
Operating weight CE	t	22,6	23,6	23,8
Basic weight	t	21,5	22,5	22,7

Additional weights for Options

Weather protection roof	kg	180	180	180
Dust reduction	kg	140	140	140
Splitted Scraper	kg	200	200	200
Quick Drum exchange system	kg	100	100	100
Fine-milling-drum LA8	kg	300	300	300
Ballast 1, frame	kg	500	500	500
Ballast 2, milling compartment	kg	400	400	400

Technical modifications reserved. Machines may be shown with options.

Standard

Milling technology

- Milling Drum LA15
- BOMAG BMS 15 exchangeable toolholder
- 3 Milling-Drum-speeds
- Proportional adjustable water injection
- Automatic water saving device
- Water filling pump
- Wear-free, digital Milling depth display
- Proportional Milling depth adjustment
- Two proportional speeds for Milling-depth-adjustment
- Hydraulically operated side-plates
- Hydraulically operated front mouldboard
- Rear mouldboard with adjustable pre-load-pressure
- Right side-plate for fast Drum-exchange
- Automatic load-control
- Automatic distribution of traction
- Hydraulically foldable Conveyor

Drive Systems

- 4-Crawlers
- Changed swivelling mechanism: Rear right track chain can be swivelled in front of the milling drum fully automatically by means of a gear
- Rear right crawler steerable
- Variable transport speed
- Variable operating speed
- Mechanical Drum-drive

Operation comfort

- Fully vibration-isolated operator-platform
- Comfort-workstation for sitting operation
- Ergonomic adjustable operator seat, 45° to slew
- Ergonomic adjustable steering wheel / column
- Height- adjustable arm-rest with integrated ergonomic operation panel
- Self-explanatory, well-arranged dashboard
- Large storage at ground level
- Service- and maintenance-points ergonomic concentrated

Safety & environmental protection

- Whisper-package for noise elimination
- Liquid cooled engine following latest emission rules
- Variable placeable working-lights
- Rotary-beacon
- Mirror
- Back-up-alarm
- Vandalism protection

Optional

Basic machine

- Weather protection roof
- High pressure cleaner
- Dust reduction system
- Auxiliary Drum Drive for easy tool exchange
- Road lights
- Additional working-light, plug in
- Additional working-light, magnet base
- Ballast weights
- Seat heating
- Special colour
- Biodegradable hydraulic oil
- Hydraulically portable conveyor, short
- Quick-exchange drum-system

Milling technology

- Milling-Drum 600 LA15
- Milling-Drum 900 LA15
- Milling-Drum 1000 LA15
- Milling-Drum 1200 LA15
- Milling-Drum 1300 LA15
- Fine-Milling-Drum 1000 LA8
- Fine-Milling-Drum 1200 LA8
- Fine-Milling-Drum 1300 LA8
- POWER DRUM 1000 LA22
- POWER DRUM 1200 LA22
- POWER DRUM 1300 LA22
- Splitted Scraper
- Additional Milling Drum Bearing

Levelling Systems and electronic support

- Levelling, 2 sides + slope
- Camera
- BOMAG TELEMATIC

