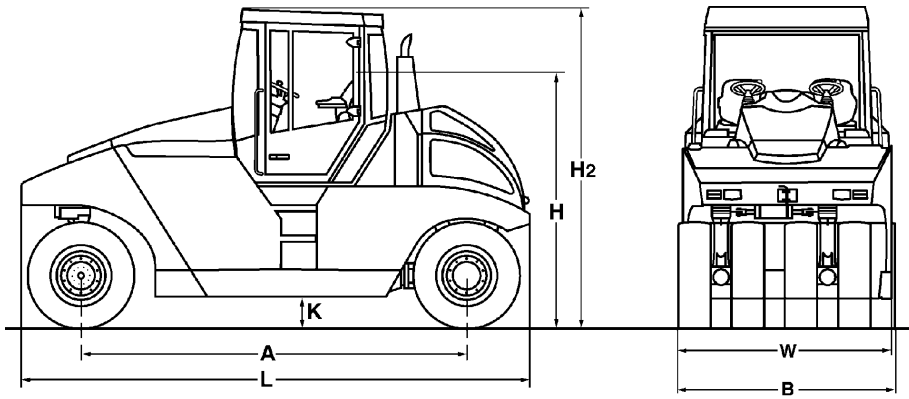


TECHNICAL DATA

PNEUMATIC TYRED ROLLERS

BW 27 RH-4I





Dimensions in mm

	A	B	H	H2	K	L	W
BW 27 RH-4I	3700	2098	2840	3090	300	4940	2042

Shipping dimensions in m3

BW 27 RH-4I

without ROPS

29,434

with ROPS

32,025

Machine type	Compaction output (m3/h) (layer thickness) at recommended soil layer thicknesses		
	Silt, clay (0,20 m)	Gravel, sand (0,30 m)	Mixed soil (0,25 m)
BW 27 RH-4I	120-250	120-200	80-180

Machine type	Compaction output (t/h) at different asphalt layer thicknesses		
	2-4 cm	6-8 cm	10-12 cm
BW 27 RH-4I	30-80	60-100	80-150

Technical Data

BOMAG BW 27 RH-4I

Weights

Operating weight w. ROPS + Cabin	kg	8.800
Grossweight	kg	27.000
Max. middle wheel load CECE	kg	3.375

Dimensions

Track radius, inner	mm	5.320
---------------------------	----	-------

Driving Characteristics

Speed (1)	km/h	0- 7,0
Speed (2)	km/h	0- 10,5
Speed (3)	km/h	0- 20,0
Max. gradeability (dep. on soil con.)	%	27

Drive

Engine manufacturer		Deutz
Type		TCD 4.1 L04
Emission stage		Stage IIIb / TIER4i
Exhaust gas aftertreatment		DPF
Cooling		water
Number of cylinders		4
Performance ISO 14396	kW	95,0
Speed	min-1	2.200
Electric equipment	V	12
Drive system		
Driven axles		rear

Tyres

Tyre size		11,00-20 18PR
Wheel track overlap	mm	42,0

Brakes

Service brake		pneum./hydr.
Parking brake		Federsp./hydr. gel.

Steering

Steering system		2 Punkt Schemell.
Steering method		hydrost.
Steering angle +/-	grad	30
Oscillation of tyres, front	grad	4
Level adjustment	mm	100

Sprinkler System

Type of sprinkling		pressure
--------------------------	--	----------

Capacities

Fuel	l	250,0
Water	l	400,0
Volume of ballast compartment	m3	3,5

Technical modifications reserved. Machines may be shown with options.

Standard Equipment

- Scraper per wheel
- Hour meter
- Warning horn
- Control panel for
 - Engine oil pressure
 - Engine temperature
 - Air filter vacuum
 - Charge control
 - Hydraulic oil filter
 - Coolant Level
 - fuel tank capacity
- 2 Outside mirrors
- Pressure sprinkler system
- Lockable anti vandal dashboard protection
- Operator's platform with:
 - two steering wheels
 - Laterally sliding seat
- Indicator and hazard lights
- Back-up alarm
- Central tyre inflating system

Optional Equipment

- * ROPS/FOPS with safety belt
- * ROPS-cabin with heating
- * ROPS cabin with air conditioning
- Thermal aprons
- Special painting
- Rotary beacon
- Additional weight
 - Steel 4.800kg
 - Granulate 5.000kg
 - Granulate 10.400kg
 - Granulate 13.100kg
- Wheels DUNLOP 11,00-R20
- Wheels MICHELIN 13/80R20
- Profiled tyres
- Speedometer
- Watertight frame
- Tool kit
- Environmentally compliant hydraulic oil
- Tachograph
- Radio Bluetooth
- Sun roof
- Cold start device
- Scraper brush, spring loaded and tiltable
- Scraper coco mat, spring loaded and tiltable
- Edge cutter
- Lamp guard
- Working lights
- Railing
- BOMAG TELEMATIC
- Fire extinguisher
- Rearview camera

* Standard delivery with CE conformity
(valid within European Union)



PRE 538 12 010

300117 Sa01

BOMAG
Hellerwald
D-56154 Boppard
P.O. Box 5162
Tel. (0)6742 - 1000
Fax (0)6742 - 3090

