



## HD 12 VV

**HD 12 VV** - Articulated tandem roller with two vibratory drums



- ▶ Hydrostatic dual drum drive
- ▶ Automatic/manual vibration system
- ▶ Hydrostatic articulated steering
- ▶ Excellent maneuverability
- ▶ Low sound level
- ▶ 3 braking systems with Emergency Stop button
- ▶ Plastic water tank, pressurized water system, hand serviceable, plastic spray nozzles
- ▶ 2" (50mm) offset capability

# HD 12 VV



HD 12 VV - Articulated tandem roller with two vibratory drums  
 HD 12 VO - Articulated tandem roller with vibratory and oscillating drum

<b>Weights</b>			<b>HD 12 VV</b>
Operating weight with ROPS	lbs (kg)		5,941 (2695)
Maximum weight	lbs (kg)		7,518 (3410)
Axle load, front/rear	lbs (kg)		2,943 / 2,998 (1335 / 1360)
Static linear load, front/rear	lbs/in (kg/cm)		62.3 / 63.5 (11.2 / 11.4)
<b>Machine Dimensions</b>			
Maximum working width	in (mm)		49.2 (1250)
Lateral overhang, left/right	in (mm)		2.2 / 2.2 (55 / 55)
Ground clearance, left/right	in (mm)		22.4 / 22.4 (570 / 570)
Ground clearance, center	in (mm)		11 (280)
Turning radius, inside	in (mm)		93.3 (2370)
Drum thickness, front/rear	in (mm)		0.59 / 0.59 (15 / 15)

<b>Diesel engine</b>			
Manufacturer			KUBOTA
Model			D1503-M-E3B
Number of cylinders			3
Power rating ISO 14396, kW/HP/rpm			22.9/31,1/2700
Power rating SAE J1349, HP/kW/rpm			30.7/22.9/2700
Emissions standard EU/USA			III A / Tier 4i
Fuel tank, capacity	Gal (Ltr)		11 (42)

<b>Drive</b>			
Hydrostatic drive, front/rear			Hydraulic motor/hydraulic motor
Speed, infinitely variable	mph (km/h)		0-7.5 (0-12.0)
Climbing ability, vibration on/off	%		30/40

**Vibration system**  
 Hydrostatic drive. Vibration, front and rear, activated separately or together (VV). Automatic switch off function at excessive speed. Vibration can be activated manually or started automatically.

<b>Vibration</b>			
Vibration frequency, front, high/low	vpm (Hz)		4,020 / 3,120 (67/52)
Vibration frequency, rear, high/low	vpm (Hz)		4,020 / 3,120 (67/52)
Amplitude, front, high/low	in (mm)		.020 / .020 (0.52/0.52)
Amplitude, rear, high/low	in (mm)		.020 / .020 (0.52/0.52)
Centrifugal force, front, high/low	lbs (kN)		11,700 / 7,200 (52/32)
Centrifugal force, rear, high/low	lbs (kN)		11,700 / 7,200 (52/32)

<b>Oscillation</b>			
Oscillation frequency, rear high/low	vpm (Hz)		
Tangential amplitude, rear, high/low	in (mm)		
Oscillation force, rear, high/low	lbs (kN)		

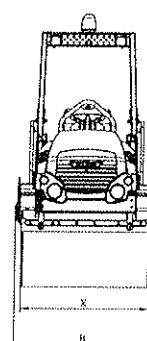
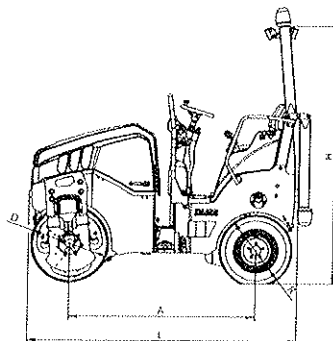
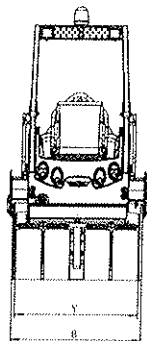
<b>Steering</b>			
Steering, type			Articulated steering
Steering, actuation			hydrostatic, steering wheel
Steering angle +/-	Grad		32°
Oscillation angle +/-	Grad		8°

<b>Sprinkler system</b>			
Water sprinkler, type			Pressure
Actuation, sprinkling			interval/manual
Water tank, capacity	Gal (Ltr)		47.6 (180)

**Standard equipment**  
 2" offset capability, comfort seat, multifunctional control lever, hourmeter, pilot lamps and emergency stop button. ROPS, seat belt, back up alarm. Lighting according to German Road Regulation. CE-conformity.

**Optional equipment**  
 ROPS mounted, front and rear work lights. Rotating beacon. Special paint.

Total length	L	96.8" (2460)	96.8" (2460)
Total width	B	51.6" (1310)	51.6" (1310)
Total height	H	94" (2390)	94" (2390)
Wheel base	A	67" (1700)	67" (1700)
Drum width	X	47.2" / 47.2" (1200/1200)	47.2" / 47.2" (1200/1200)
Drum diameter	D	28.3" / 28.3" (720/720)	28.3" / 28.3" (720/720)
Height loading, min.	HI	69" (1752)	69" (1752)



**WIRTGEN AMERICA - HAMM COMPACTION EQUIPMENT**

6030 Dana Way • Antioch, TN 37013 • 615-501-0600 • Fax 615-501-0691 • www.wirtgenamerica.com

S:HD 12 VV/HD 12 VO / 2500 / 0613 - Further data on request / subject to change