

1972



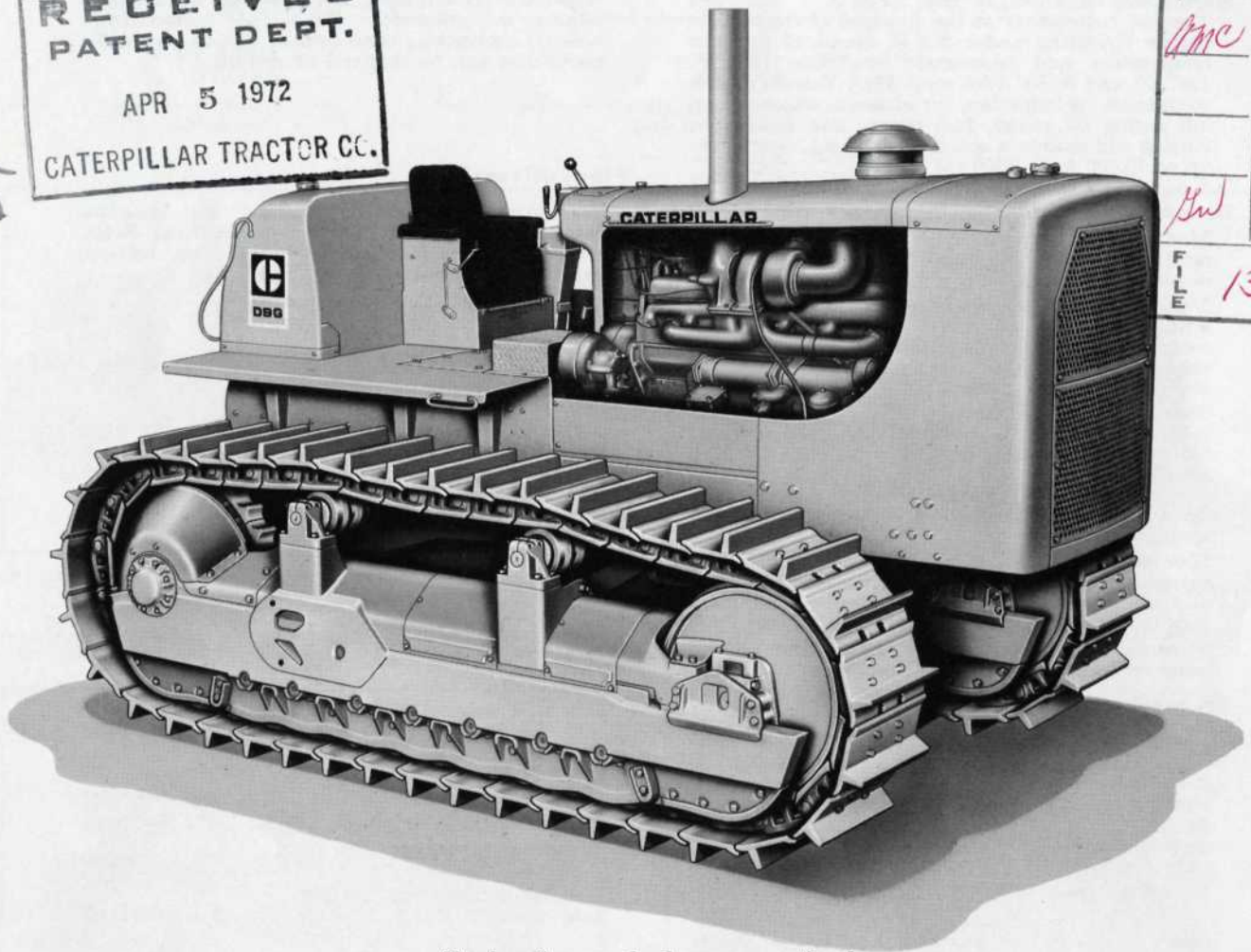
CATERPILLAR

D9G Track-type Tractor

RECEIVED
PATENT DEPT.
APR 5 1972
CATERPILLAR TRACTOR CO.

13/D9

LHB	Pg
AMC	AD
FILE	13



Track roller guards shown are optional.

Turbocharged Cat Diesel Engine with aftercooler provides 385 flywheel horsepower.

Planetary-type power shift transmission has large diameter, high-capacity oil clutches. Torque Divider combines torque converter smoothness with direct drive economy.

Oil cooled steering clutches and brakes provide long life. Hydraulically-actuated steering clutches need no adjustment.

Bolt-on rim segments permit re-rimming sprockets in the field without breaking track chain, removing sprocket or track roller frame. Track guiding guards have bolt-on, replaceable wear strips.

Sealed Track extends pin and bushing life up to 30%. Track rollers, carrier rollers and idlers are Lifetime Lubricated.

D9G

Track-type Tractor

Engine:

Horsepower (flywheel) @ 1330 RPM 385
 The net horsepower at the flywheel of the vehicle engine operating under S.A.E. standard ambient temperature and barometric conditions [85° F. (29° C) and 29.38" (746 mm) Hg.] Vehicle engine equipment includes fan, air cleaner, water pump, lubricating oil pump, fuel pump, and alternator. Engine will maintain specified flywheel horsepower up to 10,000 feet (3000 m) altitude.

U.S.A. taxable horsepower 79.4

Design Data: Caterpillar four-stroke cycle diesel Model D353 with six cylinders, 6.25" bore (159 mm), 8" stroke (203 mm), and 1473 cubic inch displacement (24,1 lit).

Turbocharged and aftercooled, with individual adjustment-free fuel injection pumps and non-clogging precombustion chambers. Stellite-faced valves and hard alloy steel seats. Valve rotators provide even heat distribution.

Spray cooled, cam shaped and tapered aluminum alloy pistons with three-ring design. Cast-iron ring bands for both compression rings. Steel-backed aluminum alloy bearings. "Hi-Electro" hardened crankshaft journals. Torque limiting clutch on fan drive. Dry-type air cleaner with automatic dust ejector.

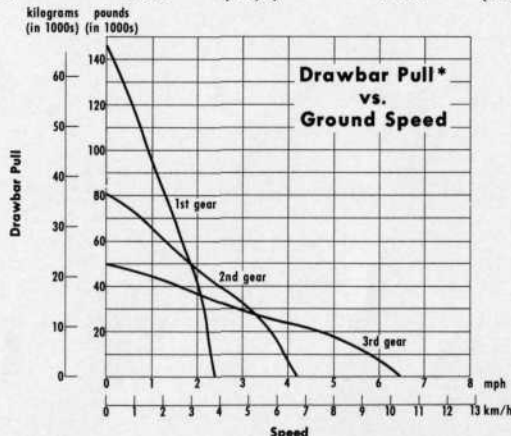
Uses economical No. 2 Fuel Oil (ASTM Specification D396), often called No. 2 furnace or burner oil, with a minimum cetane rating of 35. Premium quality diesel fuel can be used but is not required. 24-volt direct electric starter with 19 amp alternator and two 220 amp 12V batteries.

Transmission:

Planetary-type power shift with 21" (530 mm) diameter, high torque capacity oil clutches. Special valve permits unrestricted speed and direction changes under full load.

Single-stage torque converter with output torque divider combines smoothness and economy. Connected to transmission by double universal joint for unit construction.

Gear	Forward Speed		Reverse Speed	
	MPH	(km/h)	MPH	(km/h)
1	0-2.4	(3,9)	0-3.0	(4,8)
2	0-4.2	(6,8)	0-5.2	(8,4)
3	0-6.5	(10,5)	0-7.9	(12,7)



*Usable pull will depend on traction and weight of equipped tractor.

Steering:

Hydraulically-actuated, multiple-disc oil clutches require no adjustment. Oil-cooled, hydraulically boosted contracting band brakes. Clutch and brake assemblies can be serviced as a unit.

Final drives:

Planetary type gearing. Filtered, full pressure lubrication and Duo-Cone® Floating Ring Seals. Steel final drive cases. Sprockets with bolt-on, replaceable rim segments.

Track roller frame:

Reinforced box-section construction includes welded-on track guiding guards with replaceable, bolt-on wear strips. Outside mounted carrier rollers. Lifetime Lubricated rollers and idlers. Adjustable, two-position idler.

Number of rollers (each side) seven
 Oscillation at front idler 21¼" (540 mm)

Track:

Sealed Track extends pin and bushing life up to 30%. Hydraulic adjustment of track. Split master link.

Number of shoes (each side) 39
 Width of standard shoe 24" (610 mm)
 Length of track on ground 133" (3350 mm)
 Ground contact area with standard shoes 6354 sq. in. (4,10 m²)
 Grouser height (from ground face of shoe) 3 7/16" (87 mm)

Service refill capacities:

	U.S. Gal.	(liters)
Fuel Tank	200	(760)
Cooling System	40	(151)
Diesel engine crankcase	11¼	(43)
Starting engine crankcase	¾	(2,8)
Transmission, bevel gear, and steering clutch compartments (includes torque converter)	31	(117)
Final drives (each)	11¼	(43)

Shipping weight (approx.):

Includes lubricants, coolant and 10% fuel in tank 68,000 lb. (30 800 kg)

STANDARD EQUIPMENT

Alternator - 19 amp.
 Air cleaner service indicator.
 Lifetime lubricated rollers and idlers.

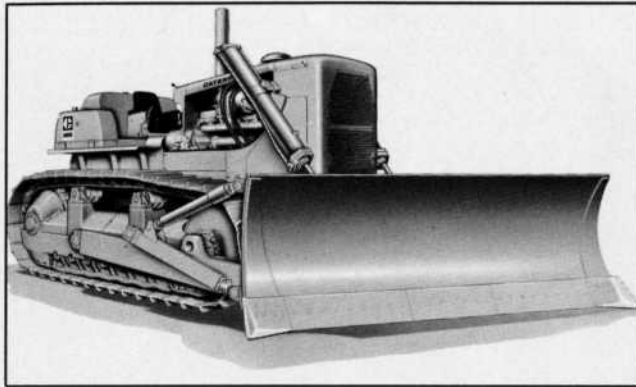
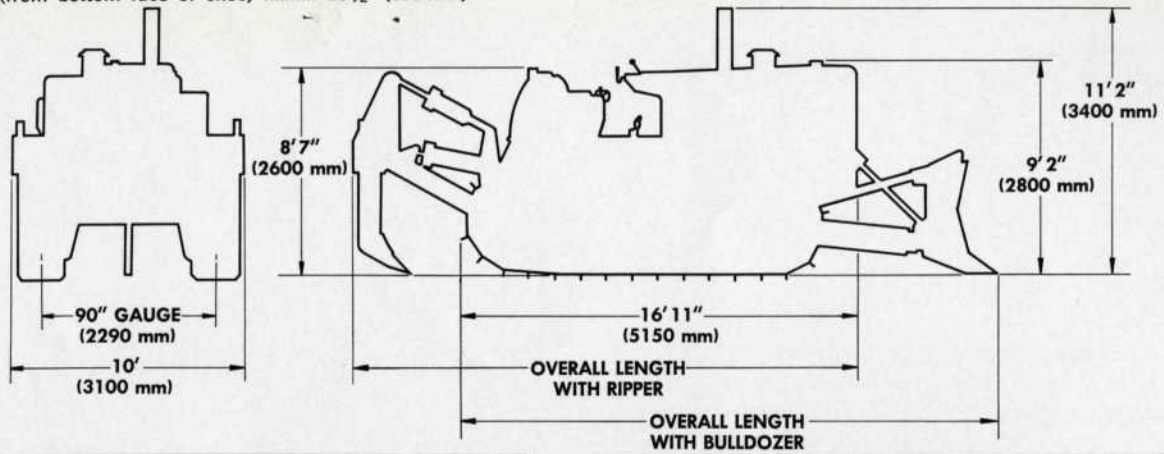
Hydraulic track adjusters.
 Bolt-on replaceable sprocket rim segments.
 Automatic air cleaner dust ejector.

Split master links.
 Track guiding guards.
 Sealed track.
 Double universal joint.
 Replaceable individual fuel pumps.

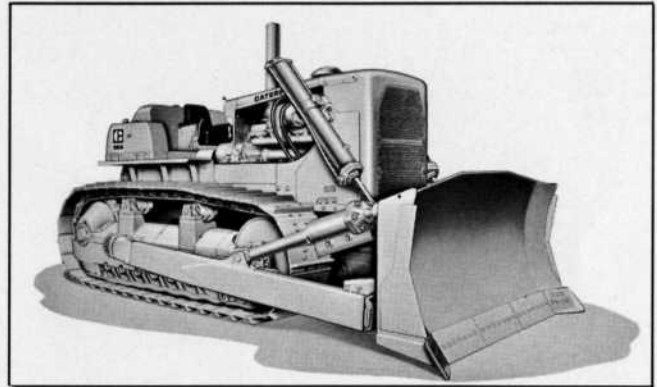
Outside mounted carrier rollers.
 High torque capacity oil clutches.
 Adjustable two position idler.

DIMENSIONS:

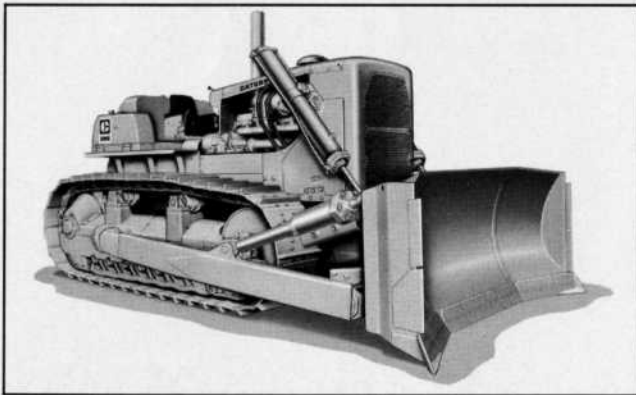
Ground clearance (from bottom face of shoe) 23½" (600 mm)



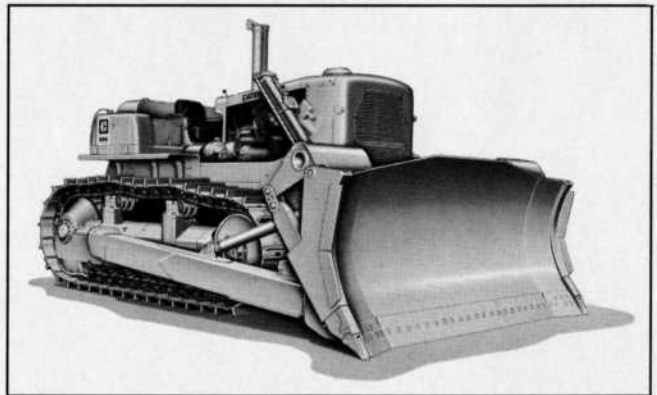
D9G with Model 9A Angling Bulldozer
 Total length (blade straight) 22' 5" (6830 mm)
 Total width (blade straight) 16' (4850 mm)
 Total width (blade angled) 14' 2" (4300 mm)
 Shipping weight, including tractor,
 hydraulic control and bulldozer 84,800 lb. (38 500 kg)



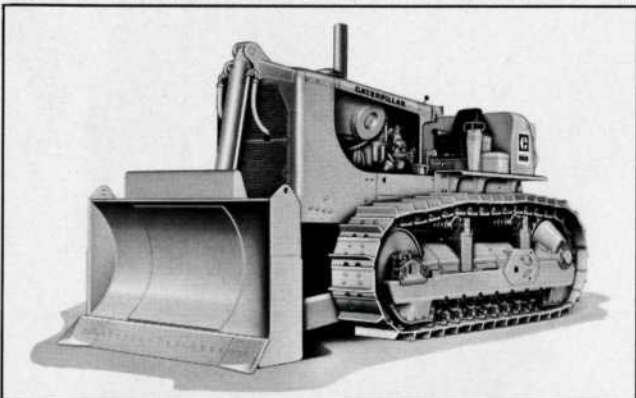
D9G with Model 9S Straight Bulldozer
 Total length 22' 9" (6930 mm)
 Total width 14' 5" (4350 mm)
 Shipping weight, including tractor,
 hydraulic control and bulldozer 85,600 lb. (38 800 kg)



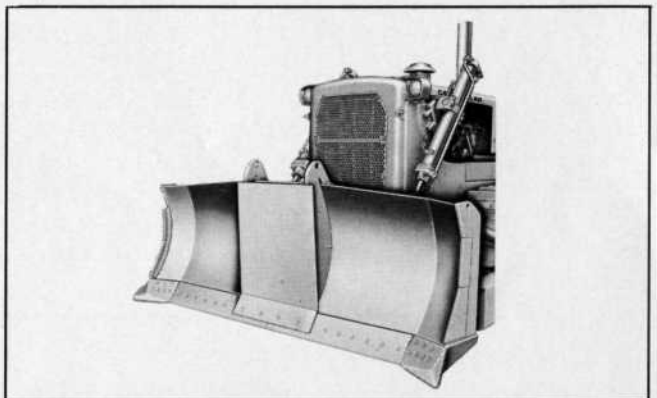
D9G with Model 9U Universal Bulldozer
 Total length 23' 11" (7290 mm)
 Total width 15' 9" (4800 mm)
 Shipping weight, including tractor,
 hydraulic control and bulldozer 87,400 lb. (39 600 kg)



D9G with Model 9R Rip Bulldozer
 Total length 22' 6" (6860 mm)
 Total width 14' 5" (4390 mm)
 Shipping weight, including tractor,
 hydraulic control and bulldozer 89,000 lb. (40 400 kg)



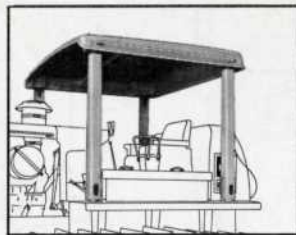
D9G with Model 9C Cushion Bulldozer
 (single or dual cylinders)
 Total length 21' 8" (6600 mm)
 Total width 10' 1" (3050 mm)
 Shipping weight, including tractor,
 hydraulic control and bulldozer:
 Two cylinder model 83,200 lb. (37 700 kg)
 Single cylinder model 81,500 lb. (37 000 kg)



Push Cup attachment for model 9S and 9R bulldozers
 Shipping weight, installed 1,550 lb. (700 kg)



Cab keeps out the weather and helps operator maintain production.

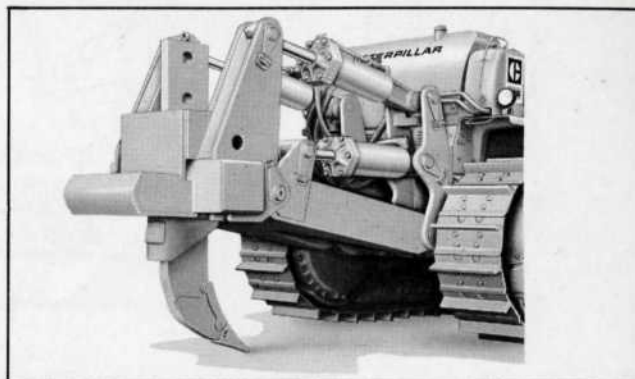


Canopy protects against rain and sun. Steel legs and fiberglass top.

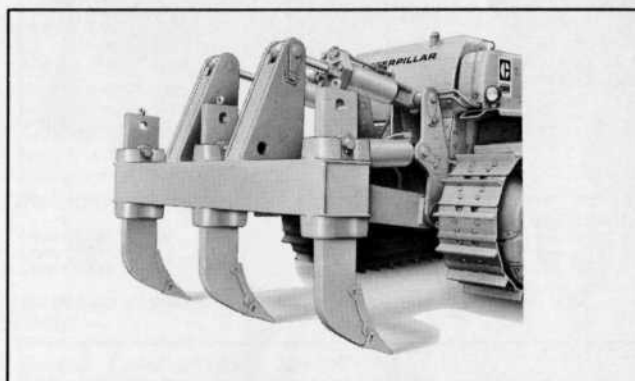
OPTIONAL EQUIPMENT

with approximate installed weights

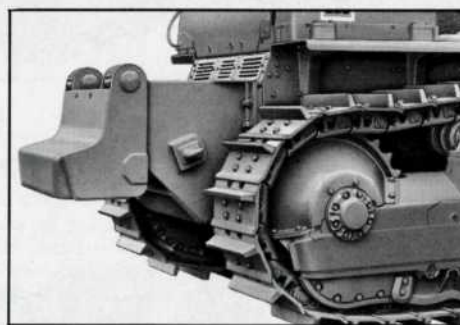
Alternators, 50 amp or 75 amp	15 lb. (7 kg)
Bulldozers	(refer to page 3 and to separate specification sheet)
Cab, steel	1280 lb. (580 kg)
Canopy	300 lb. (136 kg)
Canopy, roll-over protection (includes heavy-duty fenders and seat belt)	2560 lb. (1160 kg)
Counterweights (cannot be used with rear mounted equipment):	
For use with 9R bulldozer	7,170 lb. (3250 kg)
For use with 9U bulldozer	5,130 lb. (2330 kg)
Defroster fan	6 lb. (3 kg)
Fan, reversible blade	20 lb. (9 kg)
Fan blast deflector, radiator front	40 lb. (18 kg)
Fuel systems, fast fill:	
Automatic shut-off	20 lb. (9 kg)
Manual shut-off	10 lb. (5 kg)
Guards:	
Crankcase (cannot be used with 9C bulldozer)	1320 lb. (600 kg)
Engine upper (recommended for use with bulldozers)	200 lb. (90 kg)
Instrument panel, lockable	3 lb. (1.4 kg)
Radiator, hinged, swing open, 2 piece	10 lb. (5 kg)
Lower half only	5 lb. (2.3 kg)
Track roller	1,260 lb. (570 kg)
Heater, cab, hot water (recirculating and fresh air combination)	60 lb. (27 kg)
Hook, front pull (for use with crankcase guard)	90 lb. (40 kg)
Hydraulic systems for bulldozers and rippers	(weight included in specifications on page 3 and separate specification sheet)
Lighting system, 4 light	40 lb. (18 kg)
Muffler	10 lb. (5 kg)
Oil change system, quick service	10 lb. (5 kg)
Prescreener, engine intake air	7 lb. (3 kg)
Push block, cushioned, rear mounted	2,870 lb. (1300 kg)
Push cup, 9S or 9R bulldozer (cannot be used with moldboard push plate)	1,550 lb. (700 kg)
Push plate, moldboard, 9S or 9R bulldozer	530 lb. (240 kg)
Push plate, cushioned	5,000 lb. (2270 kg)
Radiator core protector grid	90 lb. (40 kg)
Rain cap, diesel exhaust stack	7 lb. (3 kg)
Rippers	(see right and separate specification sheet)
Ripper hydraulic pin puller (single shank only)	120 lb. (54 kg)
Ripper tip, moderate service	no weight change
Roll-over protective structure	2,560 lb. (1160 kg)
Seat belt	6 lb. (3 kg)
Starting receptacle, external power	2 lb. (1 kg)
Tool kit	15 lb. (7 kg)
Tracks, grouser shoe:	
24" (610 mm)	standard
24" (610 mm) extreme service	1,670 lb. (760 kg)
27" (690 mm)	590 lb. (270 kg)
27" (690 mm) extreme service	2,450 lb. (1110 kg)
30" (760 mm)	1,290 lb. (590 kg)
Vandalism protection group (includes crankcase, fuel tank, hydraulic tank and radiator locking filler caps)	9 lb. (4 kg)
Wiper, windshield	4 lb. (2 kg)



D9G with No. 9D Single Shank Adjustable Ripper	
Total length, ripper lowered	24' 10" (6350 mm)
Total length, ripper raised	23' 5" (7140 mm)
Total width	(no increase)
Shipping weight, installed, including hydraulics:	
Standard shank	11,400 lb. (5200 kg)
Deep ripping shank	11,900 lb. (5400 kg)




D9G with No. 9D Multi-Shank Adjustable Ripper	
Total length, ripper lowered	23' 8" (7210 mm)
Total length, ripper raised	22' 3" (6780 mm)
Total width	(no increase)
Shipping weight, installed, including hydraulics:	
Single shank	11,600 lb. (5300 kg)
Double shank	12,400 lb. (5600 kg)
Triple shank	13,200 lb. (6000 kg)



D9G with Rear Cushion Push Block	
Total length	20' (6100 mm)
Shipping weight, installed	2,870 lb. (1300 kg)

Materials and specifications are subject to change without notice.

Caterpillar, Cat and  are Trademarks of Caterpillar Tractor Co.



CATERPILLAR