



GROVE[®]
MANLIFT[®]

A GROVE WORLDWIDE COMPANY

SUPER-MAXX Series

SM3184/SM3884/SM4688
& SM3184XT/SM3884XT/SM4688XT

Self-Propelled Aerial Work Platforms



“THE SUPER-MAXX SERIES”...The Grove Manlift line of high-reach, high-capacity scissor lifts. With working heights of up to 46 ft. (14.0 m) and platform capacities up to 2,000 lbs. (907 kg). The **SUPER-MAXX** series is designed to take on your biggest, toughest jobs.

Check-out these features:

- Working heights of 31 ft. (9.4 m), 38 ft. (11.5 m), and 46 ft. (14.0 m).
- Front wheel drive and steer.
- Proportional control of drive and lift.
- Removable platform railing.
- Patented control enable button.
- Outstanding platform capacities.

Standard Equipment

PLATFORM

Diamond-embossed steel platform deck and removable 44 in. (1.1 m) railings with 6 in. (0.15 m) toe-board.



Large standard deck offers 71.9 sq. ft. (6.7 m²) of area.

CONTROLS

Weather resistant upper control console with joystick for proportional control of drive and lift functions. Toggle switches for drive/lift select, range select, and high/low drive speed.



Convenient removable control box features patented enable button.

Proportional control of the drive and lift functions eliminates jolting starts and stops. For your convenience, the removable control box, with umbilical cord, permits operation from either side of the platform...or off-platform, if necessary. The control enable button* is designed to prevent inadvertent functioning of all controls.

Lower control panel with keyswitch for off/on and start. Toggle switches for lower control select and lift up.

Manual emergency lowering valve.

Motion alarm, tilt alarm, hourmeter, and voltmeter.

SCISSORS ARMS

Heavy-duty, rectangular steel scissors arms with low maintenance greaseless bushings.

HYDRAULIC SYSTEM

Load sensing hydraulics with variable displacement axial piston pump. Torque limiting feature prevents engine stalling. A piggy-back gear pump provides priority flow, for steering function.

14 gal. (53 L) translucent polyethylene hydraulic tank.

10 micron nominal hydraulic pressure filter and a 10 micron absolute in-tank return filter.



Piggy back gear pump provides priority flow for steering.

POWER PLANT

20 hp Kohler M20S 2-cylinder air-cooled gasoline engine.

13 gal. (49.2 L) translucent polyethylene fuel tank.

CHASSIS

Heavy-duty all-steel frame provides exceptional stability and durability.

Front-wheel hydrostatic drive with counter-balance valve.

Brakes are automatically spring applied and hydraulically released.

Wheel torque-hubs disengage easily for towing.

Cylinder-actuated, front wheel steering provides a tight turning radius.



SUPER-MAXX Series XT versions offer standard four-wheel drive.

Options

- 48 in. (1.2 m) roll-out deck extension with 250 lbs. (133 kg) capacity.
- 48 in. (1.2 m) hydraulic powered deck extension with 250 lbs. (133 kg) capacity.
- Air-Boss tires (eliminates drive-cutout on the SM4688 models).
- 110-V AC wiring to platform, with dual outlets on platform and chassis. 15-amp resettable circuit breaker and ground fault interrupter.
- Foam-filled tires (standard loader tires only).
- High flotation terra grip or terra rib tires (increases unit width to 7 ft. 6 in. (2.29 m)).

- Oscillating rear axle with four wheel steer.
- Hydraulically-operated outriggers with independent leveling capability.
- 20 hp Kohler M20S 2-cylinder air-cooled dual fuel engine.
- 19.5 hp Kubota D950 water-cooled diesel engine.
- 28 hp Hatz 2L31C diesel engine with Hatz silent pack.
- Sheetmetal side cover for gasoline tank or LP.
- Additional LP gas tank bracket.

^{*}Grove patented feature



Optional four-wheel steering makes it easy to maneuver close to walls and through congested job sites.



Optional 48 in. (1.22 m) roll-out or hydraulic deck extension with 250 lbs. (133 kg) capacity lets you reach over obstacles.



Oscillating rear axle is optional.

Specifications

SM3184/SM3184XT SM3884/SM3884XT SM4688/SM4688XT

Platform

Working Height	31 ft. (9.45 m)	38 ft. (11.58 m)	46 ft. (14.02 m)
Platform Height	25 ft. (7.62 m)	32 ft. (9.75 m)	40 ft. (12.19 m)
Platform Capacity*	2,000 lbs. (907 kg)	1,750 lbs. (794 kg)	1,500 lbs. (680 kg)
Platform Capacity* (w/deck extension)	1,500 lbs. (680 kg)	1,250 lbs. (567 kg)	1,000 lbs. (454 kg)

Dimensions

Platform Size	74 x 140 in. (1.88 x 3.56 m)	74 x 140 in. (1.88 x 3.56 m)	74 x 140 in. (1.88 x 3.56 m)
Roll Out Deck Extension	48 in. (1.22 m)	48 in. (1.22 m)	48 in. (1.22 m)
Overall Height (rails removed)	4 ft. 4 in. (1.32 m)	4 ft. 11 in. (1.50 m)	5 ft. 9 in. (1.75 m)
Overall Length	12 ft. 9 in. (3.89 m)	12 ft. 9 in. (3.89 m)	12 ft. 10 in. (3.91 m)
Overall Width	7 ft. (2.13 m)	7 ft. (2.13 m)	7 ft. 4 in. (2.24 m)
Wheelbase	7 ft. 8 in. (2.34 m)	7 ft. 8 in. (2.34 m)	7 ft. 8 in. (2.34 m)
Outside Turning Radius			
2 Wheel Steer	23 ft. (7.01 m)	23 ft. (7.01 m)	23 ft. 2 in. (7.06 m)
4 Wheel Steer	14 ft. 3 in. (4.34 m)	14 ft. 3 in. (4.34 m)	14 ft. 5 in. (4.39 m)
Inside Turning Radius			
2 Wheel Steer	14 ft. 6 in. (4.42 m)	14 ft. 6 in. (4.42 m)	14 ft. 4 in. (4.37 m)
4 Wheel Steer	7 ft. 6 in. (2.28 m)	7 ft. 6 in. (2.28 m)	7 ft. 4 in. (2.23 m)
Ground Clearance	12 in. (0.31 m)	12 in. (0.31 m)	13.4 in. (0.34 m)

Performance

Maximum Drive Speed	3.5 mph (5.6 km/h)	3.5 mph (5.6 km/h)	3.5 mph (5.6 km/h)
Maximum Drive Speed (XT Model)	2.0 mph (3.2 km/h)	2.0 mph (3.2 km/h)	2.0 mph (3.2 km/h)
Gradeability** (theoretical)	35%	30%	28%
Gradeability** (theoretical) (XT Model)	55%	50%	45%
Lift/Lower Speed	28/30 seconds	38/40 seconds	45/50 seconds
Tire Size	10 x 16.5 Loader Lug	10 x 16.5 Loader Lug	12 x 16.5 Loader Lug
Tire Fill	Air	Air	Air

Power Source

Engine Make/Model	Kohler M20S	Kohler M20S	Kohler M20S
Engine Horsepower	20 hp	20 hp	20 hp
Fuel Tank Capacity	13 gal. (49.2 L)	13 gal. (49.2 L)	13 gal. (49.2 L)

Hydraulics

Reservoir Capacity	14 gal. (53 L)	14 gal. (53 L)	14 gal. (53 L)
Main Pump	Axial Piston	Axial Piston	Axial Piston
Steering Pump	Gear	Gear	Gear

Shipping Information

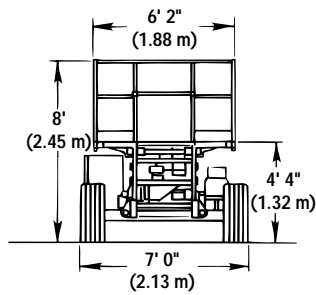
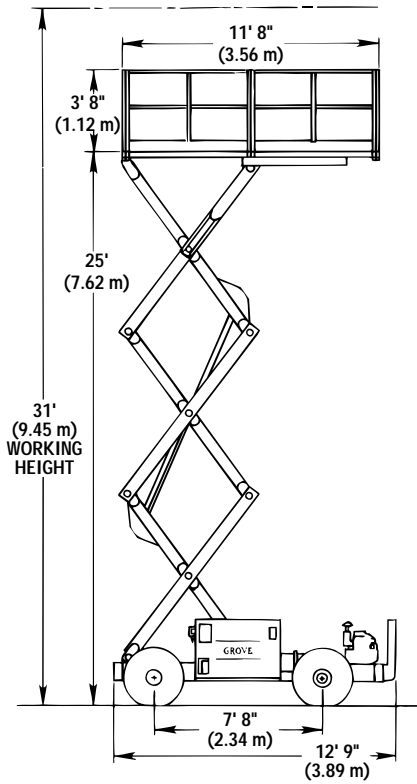
Weight	7,200 lbs. (3266 kg)	8,800 lbs. (3992 kg)	9,900 lbs. (4491 kg)
Weight (XT Model)	7,300 lbs. (3311 kg)	8,900 lbs. (4037 kg)	10,000 lbs. (4535 kg)
Shipping Cube	387 cu. ft. (10.9 m ³)	439 cu. ft. (12.3 m ³)	518 cu. ft. (14.5 m ³)

*Consult factory on capacities for European and Canadian requirements.

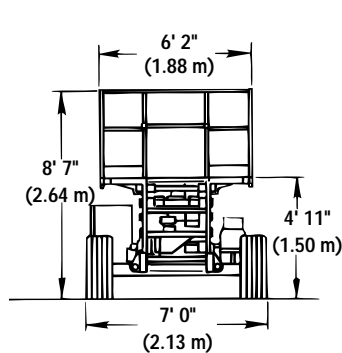
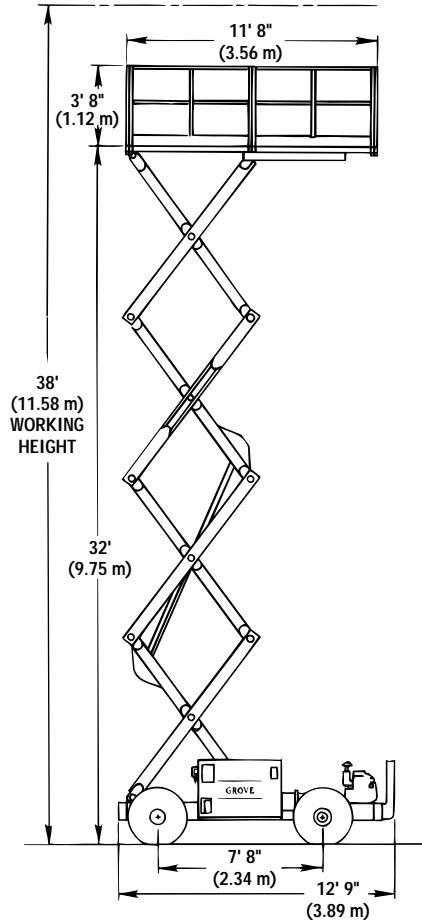
** Published machine gradeability is theoretical. Machine to be in a stowed driving position. Always operate machine on a firm, level surface when elevated.

Dimensions

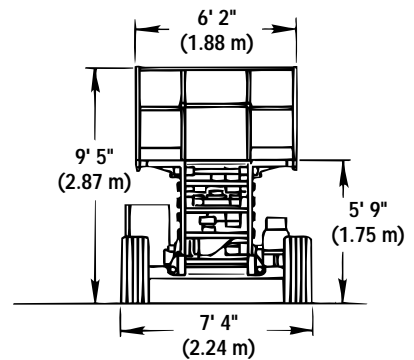
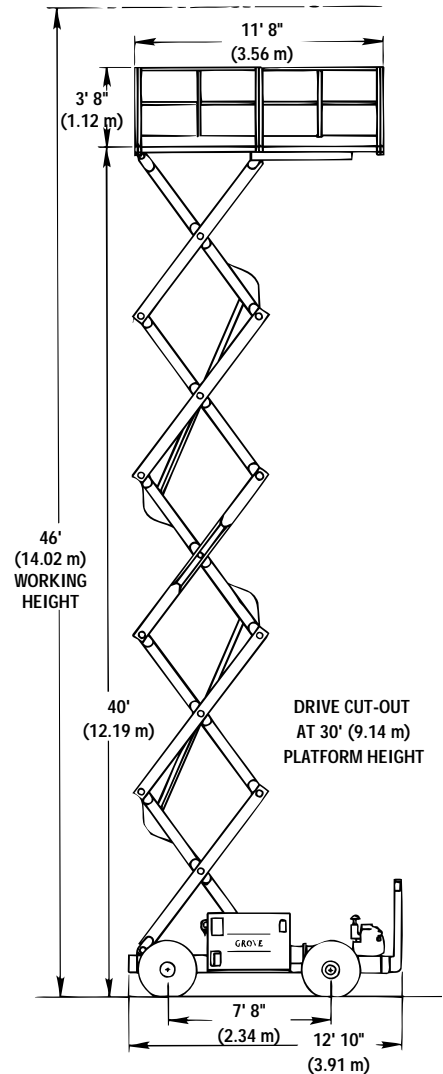
SM3184/SM3184XT



SM3884/SM3884XT



SM4688/SM4688XT



The Grove Manlift . . .

P RODUCT ROTECTION PLAN

12 MONTHS
PARTS
WARRANTY

12 MONTHS
LABOR
WARRANTY

84 MONTHS
STRUCTURAL
WARRANTY

Now there's another reason to choose Grove Manlift aerial work platforms! It's the Grove Manlift Product Protection Plan! Under this plan, all new Grove Manlift aerial work platforms are warranted to be free from defects in material and workmanship for *one full year*. All structural components, including booms, riser, masts, turntables, frames and scissors arms, are covered for *five years*!* Only Grove Manlift has the confidence -- and the equipment -- to make an offer this good.

*See manufacturer's warranty for any limitations or restrictions which may apply.

**The strongest warranty in the industry . . . for the
strongest line in the industry!**



Grove Worldwide - World Headquarters
1565 Buchanan Trail East
Shady Grove, Pennsylvania 17256
Phone: (717) 597-8121 Fax: (717) 597-4062

Grove North America
P. O. Box 21, Shady Grove, Pennsylvania 17256
Western Hemisphere, Asia/Pacific
Phone: (717) 597-8121 Fax: (717) 597-4062

Grove Europe*
Sunderland, England SR4 6TT
Europe, Africa, Middle East, Near East
Phone: (Int + 44) 191 565-6281 Fax: (Int + 44) 191 565-3736

* Grove Europe Limited, Registered in England, Number 1845128, Registered office, Crown Works, Pallion, Sunderland, Tyne & Wear, England SR4 6TT.

Grove Manlift Pty Ltd**
9 Altair Place, Penrith, NSW, 2750 Australia
Phone: (Int + 61) 47-229222 Fax: (Int + 61) 47-229202

** Grove Manlift Pty Ltd, Registered in Australia, A.C.N. 076 700 082

Delta Manlift
Z. I. de Fauillet
B. P. 20
47400 Tonneins, France
Phone: (Int + 33) {5} 384-8511 Fax: (Int + 33) {5} 379-0687
<http://www.groveworldwide.com>

Constant improvement and engineering progress make it necessary that we reserve the right to make specification, equipment, and price changes without notice. Illustrations shown may include optional equipment and accessories and may not include all standard equipment. This work platform meets the requirements, to the extent applicable, of US-DOL OSHA regulations and ANSI A92 standards in effect on the date of manufacture.

Distributed By: