

徐工徐工 助您成功
XCMG FOR YOUR SUCCESS

Официальный дилер
спецтехники XCMG в России
+7 (495) 641-80-47
info@techno-xcmg.ru

Официальный дилер
спецтехники XCMG в России
+7 (495) 641-80-47
info@techno-xcmg.ru

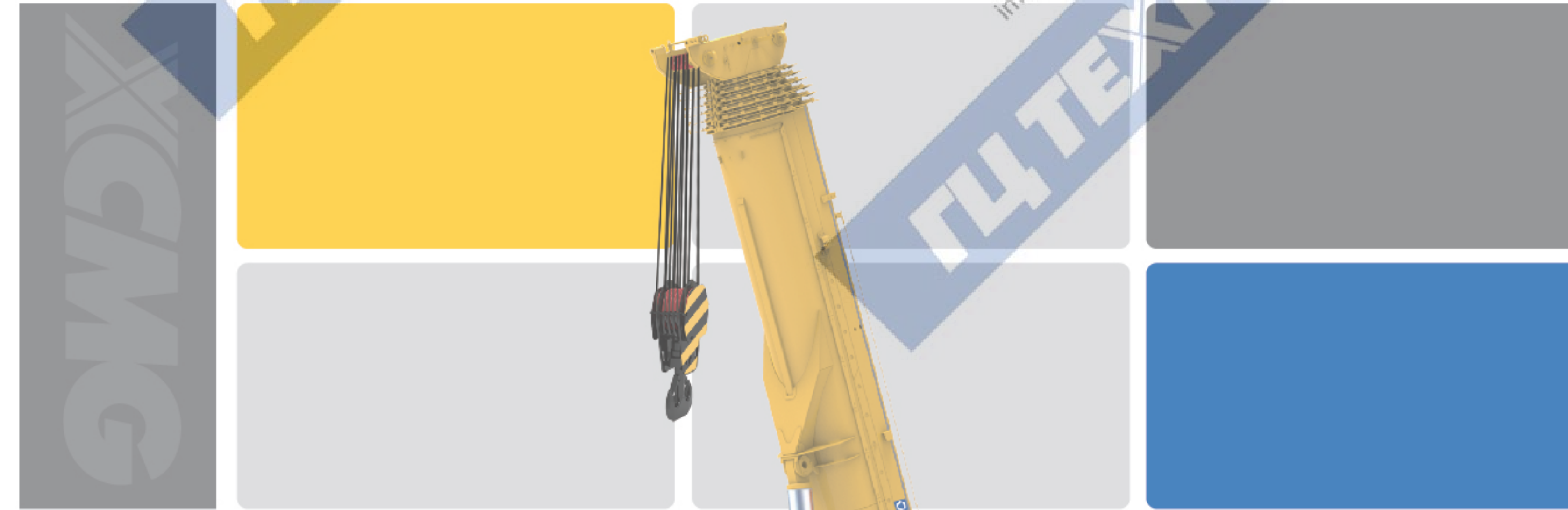


Официальный дилер
спецтехники XCMG в России
+7 (495) 641-80-47
info@techno-xcmg.ru

XGC220T 伸缩臂履带起重机

TELESCOPIC CRAWLER CRANE

Официальный дилер
спецтехники XCMG в России
+7 (495) 641-80-47
info@techno-xcmg.ru



Официальный дилер
спецтехники XCMG в России
+7 (495) 641-80-47
info@techno-xcmg.ru

Официальный дилер
спецтехники XCMG в России
+7 (495) 641-80-47
info@techno-xcmg.ru

地址(Add): 中国江苏省徐州市金山桥经济开发区桃山路19号 邮编(Postal Code): 221004
No.19 Taoshan Road, Economic development zone of jinshanqiao, Xuzhou, Jiangsu Province, China
统一服务热线(Unified service hotline): 86 400-110-9999
销售热线Sales Hotline
销售电话(Sale Tel): 86 0516-87892094
销售传真(Sale Fax): 86 0516-87892074
电子邮件(E-mail): jxyld@xcmg.com
服务质量投诉电话
(Quality Supervision Tel): 86 0516-87892587

服务热线Service Hotline
服务电话(Service Tel): 86 400-001-5678
服务传真(Service Fax): 86 0516-87892080
备件电话(Service Tel): 86 0516-87892086
备件传真(Service Fax): 86 0516-87892083

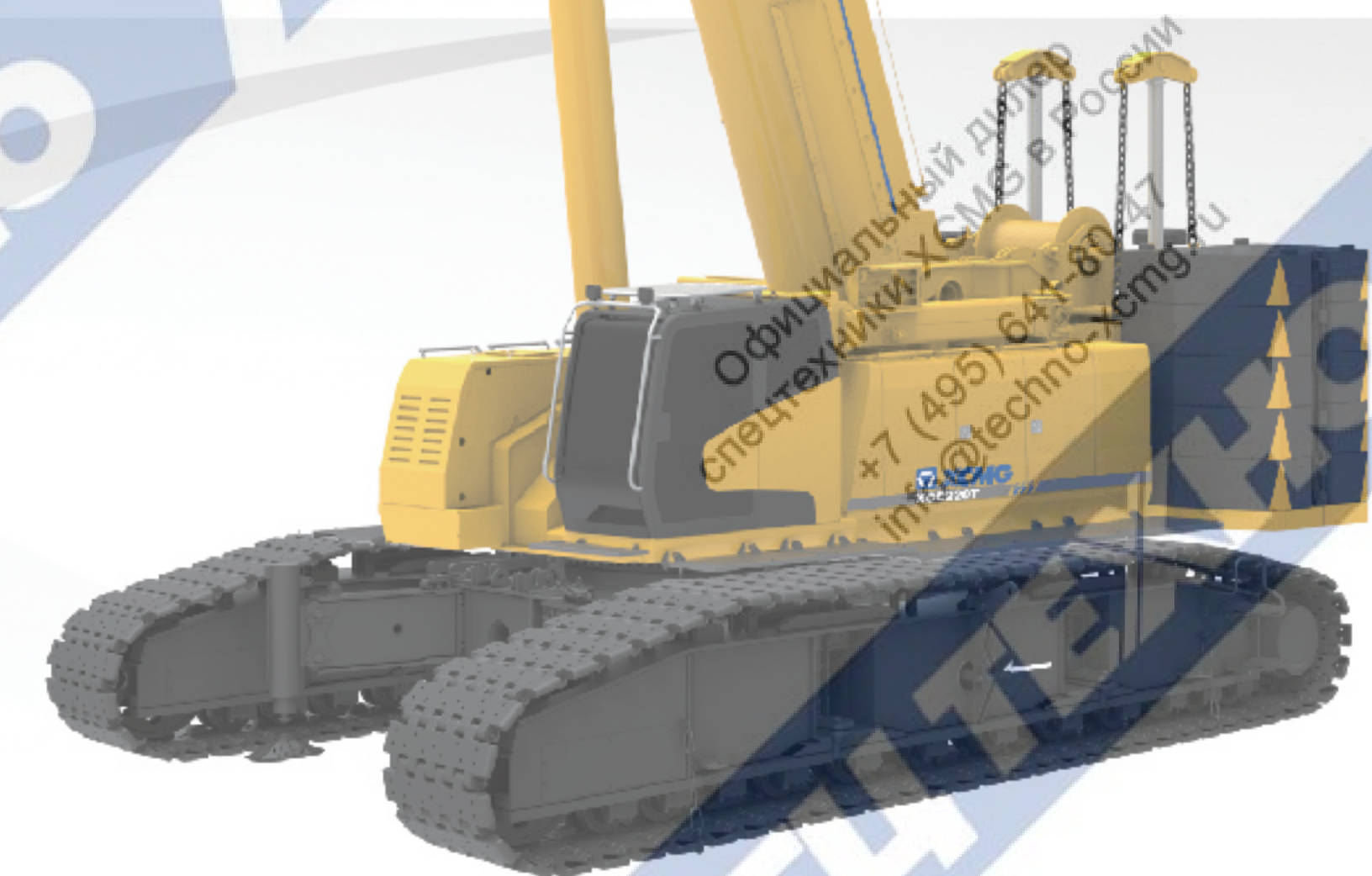


欢迎访问徐工商城
省心更省钱一站式



欢迎关注徐工履带起重机官方微信
1. 直接扫码“XCMG_xgl”添加好友。
2. 查找公众账号“徐工履带起重机”
3. 直接扫描上方二维码

Официальный дилер
спецтехники XCMG в России
+7 (495) 641-80-47
info@techno-xcmg.ru





Официальный дилер
спецтехники XCMG в России
+7 (495) 641-80-47
info@techno-xcmg.ru

CONTENTS

目录

P02-P02	◆ 主要技术参数 The Main Technical Parameters
P03-P07	◆ 详细介绍 Brief Introduction
P08-P08	◆ 主臂作业范围图 Boom Working Area
P09-P16	◆ 主臂起重性能表 Boom Lifting Load Chart
P17-P17	◆ 固定副臂作业范围图 Fixed Jib Working Area
P18-P25	◆ 固定副臂起重性能表 Fixed Jib Lifting Load Chart
P26-P29	◆ 整机运输方案 Transport Planning

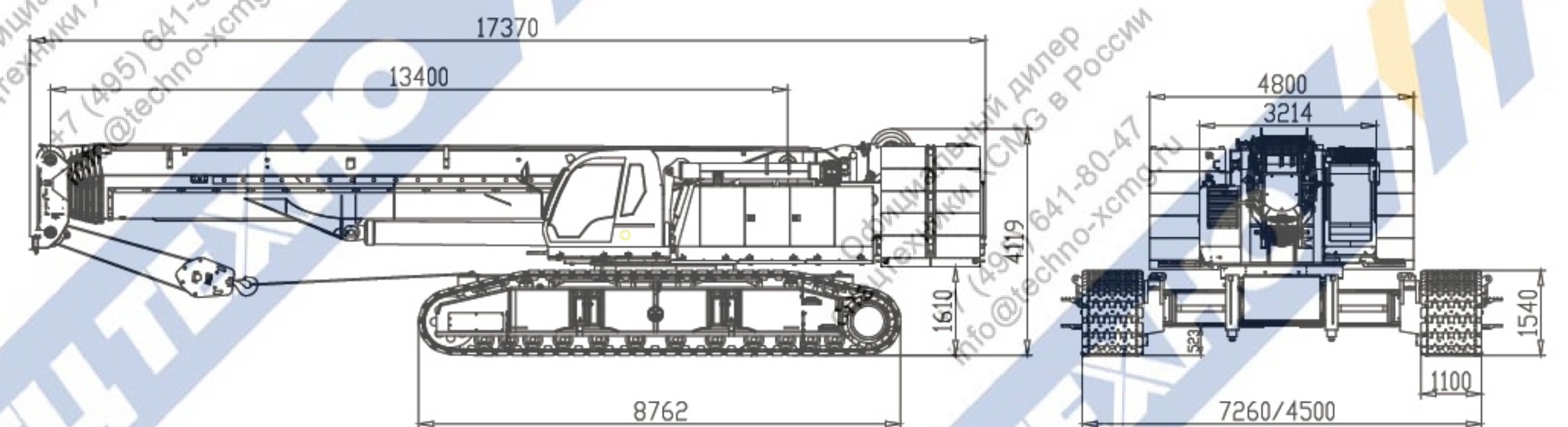
Официальный дилер
спецтехники XCMG в России
+7 (495) 641-80-47
info@techno-xcmg.ru

Официальный дилер
спецтехники XCMG в России
+7 (495) 641-80-47
info@techno-xcmg.ru

主要技术参数 The Main Technical Parameters

类别 Type	项目 Items	单位 Unit	参数 Data	
尺寸参数 Dimension	整机全长 Length of the crane	mm	17303	
	整机全宽(伸/缩) Width of the crane (extension/retraction)	mm	7260/4500	
	整机全高 Height of the crane	mm	4119	
	主、从动轮中心距 Center distance between drive and driven rollers	mm	7595	
	履带板宽度 Width of track shoe	mm	1100	
重量参数 Weight	行驶状态总质量 Total mass in travel state	Kg	178000	
	最高行驶速度 Max. travel speed	km/h	1.3	
行驶参数 Travel	最小离地间隙 Minimum ground clearance	mm	523	
	最大爬坡能力 Max. grade ability	%	30	
	接地比压 Ground pressure	MPa	0.1	
	耳旁噪声 Noise at ear	dB(A)	80	
	发动机型号 Engine model	—	WP12G460E300	
动力参数 Power	发动机额定功率 Engine rated output power	kW	338	
	发动机额定转速 Engine rated rotation speed	r/min	1900	
	发动机排放标准 Engine emission standard	—	非道路三阶段 Off-road Stage III	
容积参数 Capacity	液压油箱容积 Hydraulic oil tank	L	920	
	燃油箱容积 Fuel tank	L	700	
主要性能参数 Main performance	最大额定总起重量 Max. rated lifting capacity	t	220	
	最小额定幅度 Min. rated radius	m	3	
	最大起重力矩 Max. load moment	基本臂 Base boom kN.m	7393	
	起升高度 Lifting height		基本臂 Base boom m	13.4
	起臂长度 Boom length	最长主臂 Max. length boom	m	73.5
		最长主臂 + 副臂 Max. length boom + Jib	m	108
		基本臂 Base boom	m	13.4
	副臂长度 Jib length	最长主臂 Max. length boom	m	73
		最长主臂 + 副臂 Max. length boom + Jib	m	108.2
	副臂安装角 Jib offset angle	°	0-20.40	
起升机构最大单绳速度(空载、第4层) Hoist winch max. single line speed(no load, the 4th layer)	m/min	130		
起臂时间 Boom elevating time	s	≤55		
起臂伸缩时间 Boom telescoping time	s	600		
最大回转速度 Max. slewing speed	r/min	1.4		

本印刷品所包含的数据, 会随着产品的不断升级而改变, 请以实际产品为准
Pictures and data in this catalog will change with the update and modification of products,
so please take the actual vehicle as reference.



详细介绍 Brief Introduction

上车 / Crane Superstructure

发动机 / Engine

采用潍柴发动机，额定功率338kW，额定转速为1900rpm，最大输出扭矩2110N·m，排放符合GB20891-2014非道路第三阶段排放标准。

Weichai engine, rated power 338kW, rated speed 1900rpm, max. output torque 2110 N·m, complying with GB20891-2014 Off-road Stage III Emission Standard.

起升机构 / Hoist Gear

空载起升速度：0~130m/min Hoist speed with no load：0~130m/min
 钢丝绳直径/长度：Wire rope diameter/length：
 主卷钢丝绳：Φ23mm/300m Wire rope for main winch：Φ23mm/300m
 副卷钢丝绳：Φ23mm/300m Wire rope for auxiliary winch：Φ23mm/300m
 额定单绳拉力：12.5t Rated single line pull：12.5t

变幅机构 / Luffing Gear

变幅机构描述：单缸前支变幅，自重落幅系统，降低能耗。
 主臂起臂时间：≤55s

Luffing gear description: Single cylinder front outrigger luffing, deadweight luffing down system, reducing energy consumption.
 Boom elevating speed: ≤55s

回转机构 / Slewing Gear

回转机构布置在转台内侧面，由两个行星减速机组成，与回转支承内啮合。液压缓冲，具有自由回转功能。可控常闭、片式制动器，工作可靠，维修方便。

回转支承：采用三排滚柱式回转支承，质量稳定可靠，回转作业安全平稳。
 回转速度：0~1.4r/min

Slewing gear is arranged at the rear of turntable inside. It is made up of two planetary reducers and internally meshed with slewing ring. Hydraulic buffering and free swing are both available. The use of controllable constant-closed disc brake makes the work more reliable and the maintenance for convenient.

Slewing ring: Slewing ring is a 3-row roller type slewing bearing. It can work safely and stably with reliable quality.
 Slewing speed: 0~1.4r/min

电气控制系统 / Electric Control System

智能化计算机集成式可编程控制系统，针对伸缩臂建模、计算的定制化力限制器系统是该产品的关键核心技术。采用PLC可编程控制器，并与常规电气相结合，完成系统的逻辑控制与电液比例控制功能，实现起重机的自动控制，大大提高起重机的作业安全性、可靠性和作业效率。本机工作状态、操作逻辑、安全监控、报警、故障查询等均可通过显示器大屏幕显示出来，方便实现人机对话。

Intelligent computer integrated program control system, the customized LMI system for telescopic boom modeling and calculation is the key technology for this product. PLC programmable controller is used together with the conventional electrical system to realize the function of logic control and electro-hydraulic proportional control of the crane, which will greatly improve the safety, reliability and efficiency for crane operation. The working status, operation logic, safety monitoring, alarm, fault inquiry of the crane can be shown on the large screen of the display, convenient for man-machine interaction.

液压系统 / Hydraulic System

新型高效节能全闭式液压系统，即起升、回转、变幅、伸缩及行走系统均为闭式液压系统，电比例闭式变量柱塞泵直接驱动各执行元件，形成容积调速控制，通过电控手柄控制系统输出流量以满足执行器元件的需求，真正做到高效、平稳，带给用户最舒适、平顺的操作体验。辅助动作都为电液控制油缸驱动，可远程遥控，安全高效。

New type of fully closed hydraulic system, with the features of high efficiency and energy saving. That is, the closed hydraulic system is adopted for hoisting, slewing, luffing, telescoping and travel systems. Actuators are driven by electrical proportional closed variable piston pump directly, the speed is controlled by volume, the output flow of the system is controlled by electrical control handle to meet the requirements of the actuator elements, truly achieving high efficiency and stability and bringing the customers with the most comfortable and smooth operation experience. Auxiliary movements are all driven by electro-hydraulic control cylinder, remote control is available, safe and efficient.

转台 / Turntable

转台是联系上下车的关键承载结构件，采用高强单层立板加局部箱形的结构形式，底板上方为对称的纵向箱形，以增加转台在起重平面内的纵向刚度。该结构的优点为整体抗弯、抗扭能力强，重量轻，稳定性好。转台通过回转支承与下车联接，驾驶室、起升机构、变幅机构、发动机、臂架及平衡重等部件分别与转台在不同部位进行联接。

Turntable is the key load-bearing part connecting the upper and lower crane structures. High strength single-layer vertical plate is adopted, with local box structures. Symmetrical longitudinal boxes are used above the base plate to increase the longitudinal stiffness of turntable in the lifting plane. The structure has the advantages of bending and torsion resistance, light weight and good stability.

Turntable is connected with crane undercarriage through slewing bearing, many parts are connected to turntable respectively, including operator's cab, hoist winch, luffing gear, engine, boom and counterweight.

操纵室 / Operator's cabin

操纵室采用钢制框架结构，配置有钢化玻璃。装有可调式座椅、按人机工程学布置的全套操纵仪表和控制装置，配置风道式冷暖空调、音响、灭火装置、闭路监视系统等，宽敞舒适。工作时，操纵室可调整俯仰角度，扩大视野，方便操作；运输时，操纵室可从侧方旋转180度至转台后方，减小运输宽度。

Operator's cab is steel frame structure, with armored glass. The cab is installed with adjustable seat, ergonomic designed instruments and control devices, vent type air-conditioner, CD player, fire extinguisher and closed circuit monitoring system, spacious and comfortable. When the crane is in operation, the cab can be tilted upward to widen the field of vision. When the crane is in transportation, the cab can be turned from the side to the front to reduce the transport width.

下车 / Crane Carrier

下车包括车架、支腿、履带行走装置等。车架和履行走装置采用插入式连接，可通过液压油缸实现变轨，具有宽轨和窄轨两种工作模式。

Crane undercarriage includes car-body, outrigger, crawler travel unit and etc. Car-body and crawler travel unit are connected through insertion. Hydraulic cylinder is used to realize the gauge mode selection. There are two working modes for this crane, including narrow gauge mode and wide gauge mode.

车架 / Car-body

车架采用H型主体+摆腿+支腿结构形式，中间部位采用圈板+筋板结构，结构简单，成熟可靠。

配置支腿油缸，用于起重机的变轨，油缸通过销轴铰接于车架外侧。

Car-body is made up of H main body, swing leg and outrigger, with circle plate and rib plate in the middle part. The structure is very simple, but mature and reliable.

Outrigger cylinder is configured for the change of crane gauge mode, the cylinder is articulated to car-body outside by pin shaft.

履带行走装 / Track frame

履带行走装置包括左履带行走装置和右履带行走装置，由履带架、履带板、支重轮、驱动轮、拖链轮、张紧装置和行走机构等组成。履带架采用高强度焊接的带方洞箱形结构，四轮一带为高强耐磨合金铸钢件，履带板宽度为1100mm。

Crawler travel unit is divided into left and right travel unit, consists of track frame, track shoe, lower roller, drive sprocket, upper roller, tension device and travel device. Track frame is made of up high strength steel plate, welded in box-type structure with square hole on it. The four rollers and track shoe in the travel unit are all casted and forged by high strength and wear-resistant alloy. The width of track shoe is 1100mm.

行走机构 / Crawler travel unit

行走机构采用内藏式行星齿轮减速机、轴向柱塞式变量马达驱动，减速机带有液压释放行走制动器，安全可靠。左右两套行走机构可同步操作，也可单独操纵，以实现直行和转弯。变量马达可以实现无级变速，牵引强劲有力，运行平稳。

最高行走速度：1.3km/h

爬坡能力：30%

Crawler travel unit adopts built-in planetary reducer, axial piston variable displacement motor drive. The reducer is equipped with hydraulic release travel brake, safe and reliable. The left and right travel units can be operated synchronously or independently to realize straight travel and turning around. Variable motor can realize stepless speed adjustment, the traction force is very strong and the operation is smooth.

Max. travel speed: 1.3km/h

Grade ability: 30%

详细介绍 Brief Introduction

履带伸缩 Crawler track telescoping

通过履带伸缩油缸实现履带的扩张和收缩，方便转场及狭窄环境通过。
Crawler track extension and retraction is achieved by the use of track frame telescoping cylinder, which is convenient for site transfer and narrow space.

平衡重 Counterweight

平衡重由车身平衡重和转台平衡重组成，可进行自拆装。
车身配重共重15t，安装在车架前后，其组成为：2×7.5t。
转台平衡重共56t，安装在转台后方，其组成为：平衡重托盘1×6t，平衡重块10×5t。
起重机作业时，转台平衡重提供56t、36t、16t、0t四种选择方案，并按分级平衡重提供各自独立的性能表来满足不同需求的吊装，各组合如下：
(1) 转台平衡重56t：平衡重托盘1×6t，平衡重块10×5t。
(2) 转台平衡重36t：平衡重托盘1×6t，平衡重块6×5t。
(3) 转台平衡重16t：平衡重托盘1×6t，平衡重块2×5t。
(4) 转台平衡重0t：平衡重托盘0×6t，平衡重块0×5t。

Counterweight consists of car-body counterweight and turntable counterweight, with self-assembly and disassembly function.
Car-body counterweight is total 15t, installed in the front/rear of car-body, its composition: 2×7.5t.
Turntable counterweight is total 56t, installed at the rear of turntable, its composition: counterweight tray 1×6t, counterweight slab 10×5t.
Turntable counterweight provides four options of 56t, 36t, 16t and 0t to meet the different needs of lifting, the designs provide independent lifting load charts according to classified counterweight. The optional turntable counterweight composition is as the follows:
(1) Turntable counterweight 56t: counterweight tray 1×6t, counterweight slab 10×5t.
(2) Turntable counterweight 36t: counterweight tray 1×6t, counterweight slab 6×5t.
(3) Turntable counterweight 16t: counterweight tray 1×6t, counterweight slab 2×5t.
(4) Turntable counterweight 0t: counterweight tray 0×6t, counterweight slab 0×5t.

作业设备 / Working equipment

主臂 / Boom

七节主臂，采用“U”形截面的筒形焊接结构。
单缸插销伸缩机构，多种伸缩模式可供选择。
主臂长度：13.4m~73m。
Seven boom sections, welded in tubular structure with U-shaped section.
Single cylinder pin type telescoping system, with multiple telescoping modes for option.
Boom length: 13.4m~73m.

臂端单滑轮 / Auxiliary sheave for boom

焊接结构，通过销轴安装在主臂顶端，用于副钩起重作业，最大起重重量不超过12.5t。
This welded structure is installed on boom tip with pin shaft, used for the lifting work of auxiliary hook. Its maximum lifting weight is not more than 12.5t.

固定副臂 / Fixed jib

桁架式结构，由8m主臂加长节、连接架、旋转架、两节副臂及4m、8m两种加长节组成。
安装角度：0°、20°、40°。
副臂长度：12m~44m。
Lattice structure, the fixed jib is composed of 8m boom extension section, connection strut, rotating bracket, two jib sections, 4m jib extension section and 8m jib extension section.
Installation angle: 0°, 20°, 40°.
Jib length: 12m~44m.

吊钩 / Hook block

可供选择的吊钩有4种，客户可根据需要选择。
标准配置：80t吊钩、30t吊钩、12t吊钩
选择配置：160t吊钩。
There are 4 types of hook blocks for option, customers can choose according to their needs.
Standard configuration: 80t hook block, 30t hook block, 12t hook block
Optional configuration: 160t hook block.

安全装置 / Safety Devices

安全装置包括：
XGC220T伸缩臂履带起重机广泛采用机械、电子、液压等多种安全及报警装置，确保起重机的安全使用。主要包括力矩限制器、主副提升防过卷装置、急停开关、回转锁定装置、先导控制开关、闭路监视系统、蜂鸣器及警示灯、示高灯、风速仪、电子水平仪、黑匣子功能及液压系统溢流阀、平衡阀、液压锁等。
Safety device includes:
XGC220T telescopic crawler crane widely uses mechanical, electronic, hydraulic and other safety and warning devices, in order to ensure the safe operation of machine. The safety devices include: load moment limiter, main/auxiliary winch over-wind protection device, emergency stop switch, slewing lock device, pilot control switch, closed circuit monitoring system, buzzer, warning light, height mark lamp, anemometer, electronic level meter, block box function, hydraulic system overflow valve, balance valve, hydraulic lock, and etc.

力矩限制器 / Load moment limiter

检测功能：力矩限制器能自动检测出起重臂的角度、起重载荷大小。
显示功能：实时的显示当前实际载荷，工作半径，起重臂角度和当前风速。
警示功能：如果检测到实际载荷超过额定载荷，起重臂超过极限角度，力矩限制器发出报警并限制当前动作。

Detection function: automatically detect boom angle and lifting weight.
Display function: real time display current actual load, working radius, boom angle and wind speed.
Warning function: automatically send out warning and stop crane operation when detecting the actual load exceeds the rated load or boom angle exceeds the limit value.

主、副提升防过卷装置 Main/Auxiliary winch over-wind protection device

当主、副卷扬升到最大高度时，高度限位检测开关起作用，显示器中过卷保护指示灯亮，同时禁止卷扬升起动作。
When main/auxiliary winch hoists up to the maximum height, height limit detection switch works and an over-wind warning lamp on instrument panel lights on, at the same time, load moment limiter stops crane hoisting up operation.

主、副提升过放装置 Main/Auxiliary winch over-release protection device

当主、副提升卷扬过放时，安装在卷筒内部的三圈保护开关检测到卷筒上的钢丝绳剩下三圈，仪表板上的指示灯亮，同时禁止卷扬落动作。
When the rope end limiter switch on winch drum detects that only three turns of wire rope are left on the drum, the indicator lamp on the instrument lights up, at the same time, load moment limiter stops crane hoisting down operation.

急停开关 / Emergency stop switch

紧急情况下，按下此按钮发动机熄火，停止所有动作。
In emergency conditions, press the switch to stop the engine and all the crane movements.

回转锁定装置 / Slewing lock device

提拉销轴式机械锁定，可将起重机锁定在正前和正后两个方位。
Pin shaft type mechanical lock, the crane can be locked over front or back directions.

先导控制开关 / Pilot control switch

按下开关后，起重作业电气系统才能正常操作。
After pressing the switch, the electrical system of lifting operation can be operated normally.

液压系统 / Hydraulic system

配置液压平衡阀、液压溢流阀、液压双向锁等装置，保证系统工作时稳定安全。
Hydraulic system is equipped with hydraulic balance valve, hydraulic overflow valve and two-way hydraulic lock to ensure the stability and safety of system working.

三色力矩报警灯 Tricolor warning lamp

由三种颜色组成，负载在90%以下时“绿灯”亮，表示起重机在安全区域运行，负载在90%-100%的时候“黄灯”亮，表示起重机在已接近额定载荷范围，负载高于100%时“红灯”和“黄灯”同时亮，表示起重机已经超载，在危险区域，控制系统自动切断起重机向危险的方向运行。

The lamp comprises 3 colors, when crane loading is below 90%, "Green Lamp" lights on to indicate that the crane is running in safety area; when crane loading is 90%-100%, "Yellow Lamp" lights on to indicate that the crane is close to the rated lifting load; when crane loading is above 100%, "Red Lamp" and "Yellow lamp" light on at the same time to indicate that the crane is overloaded and in dangerous area, the control system will automatically cut off the crane movement toward dangerous direction.

详细介绍 Brief Introduction

闭路监视系统 / Closed circuit monitor system

司机室安装有闭路监视系统，由摄像头和监视器组成，可监视主、副卷扬的工作情况。

The operator's cab is equipped with a closed circuit monitoring system, which consists of cameras and monitors to monitor the work of main and auxiliary whitches.

声光报警器 / Audio/Video warning

在履带起重机移动或做回转动作时，警告灯闪烁并且发出声音报警。

When the crawler crane is moving and slewing, there is light and sound for warning.

照明灯 / Illumination lamp

装置在转台前方、臂架上和操纵室内，用于为夜间工作提供照明。

There are illumination lamps at front of turntable, on boom and inside operator's cab for night operation.

示高灯 / Height mark lamp

安装在臂架顶部，作为高空警示。

Boom tip has a height mark lamp for high level operation warning.

风速仪 / Anemometer

实时检测当前风速，传送到操纵室的显示器上，提醒司机操作的安全性。

Anemometer can detect current wind speed and send signal to the display in cab to alert operator for safety.

水平仪 / Level meter

配有电子水平仪，可显示使用路面的倾斜程度，为操作者提供机器水平度参考。

The crane is equipped with electronic level meter to indicate the road inclination degree and provide operator with the machine level degree for reference.

黑匣子 / Black box

该功能可以将司机的操作及设备的运行参数记录下来，有利于分析事故原因。

Black box can record the driver's operation and the operating parameters of the crane, which is helpful for analyzing the cause of the accident.

防雷击保护装置 / Lightning protection device

加强设备雷雨天气下的防雷能力，有效保证设备的安全性。

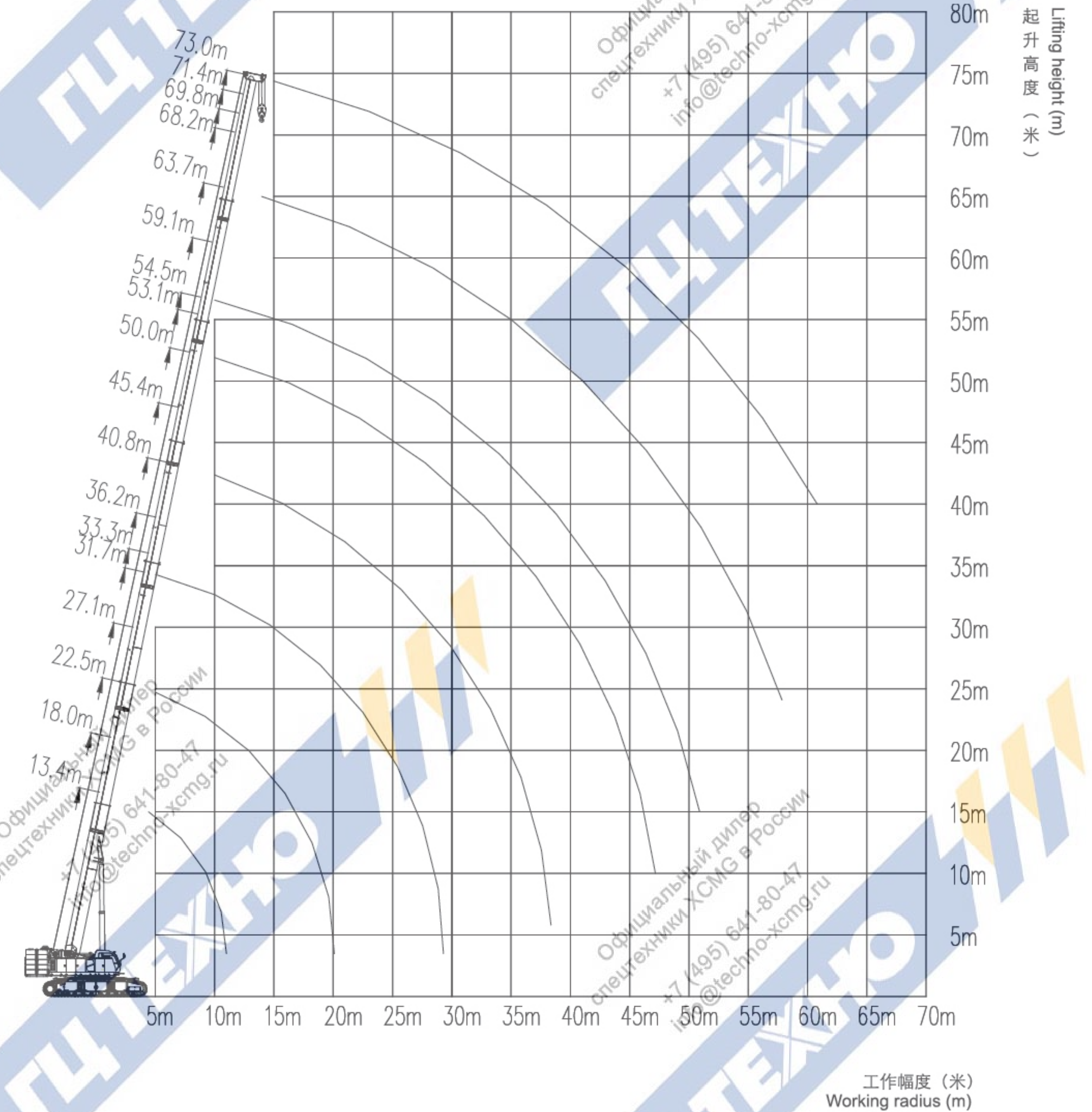
The device can strengthen the equipment lightning protection ability under thunder storm, which can ensure the safety of the equipment effectively.

远程GPS监控系统 / Remote GPS monitoring system

可实现GPS定位及GPRS数据传输，设备使用状态查询、远程故障诊断等功能。

The system can achieve the functions such as GPS positioning and GPRS data transmission, the equipment status inquiry, remote fault diagnosis and etc..

作业范围图 Working Area



主臂起重性能表
Boom Lifting Load Chart

履带全伸, 转台配重56t, 车身配重15t, 360°作业, 不行走
Fully extended crawler track, 56t turntable counterweight, 15car-body counterweight, 360°working, no travel

幅度 Radius	臂架长度												幅度 Radius	
	13.4	18		22.5		27.1								
3	150.0	60.3	150.0	150.0	150.0	148.0	44.6	64.2	140.0					3
3.5	150.0	56.7	145.0	145.0	140.0	138.1	41.8	61.5	140.0					3.5
4	148.0	54.0	140.0	140.0	137.9	128.4	39.2	58.8	139.2	114.7	41.0	61.7	121.0	4
4.5	142.7	51.5	134.6	133.8	128.5	120.3	36.9	56.2	129.8	108.4	38.5	59.5	121.0	4.5
5	133.6	49.1	125.6	124.9	120.3	112.3	34.5	53.8	121.6	102.0	36.0	57.3	117.7	5
6	118.2	44.6	110.7	110.0	106.6	100.2	31.3	49.8	107.9	91.0	32.3	53.2	104.2	6
7	105.5	41.2	98.8	98.1	95.0	89.9	28.5	46.2	96.3	81.8	29.3	50.1	93.7	7
8	94.3	38.4	88.9	88.2	85.6	81.9	26.2	43.1	86.9	74.1	26.7	47.1	85.1	8
9	82.8	35.7	80.5	79.7	77.6	75.0	24.2	40.1	79.0	67.9	24.6	44.3	77.7	9
10	71.7	33.5	73.0	72.2	70.9	68.8	22.6	37.2	72.2	62.3	22.9	41.9	71.7	10
12	30	30.3	59.3	58.4	56.9	55.9	19.8	32.3	58.6	53.3	20.0	36.7	59.1	12
14	12	27.5	45.7	44.9	45.8	45.0	17.7	28.4	47.4	45.3	17.6	32.6	48.5	14
16		12	12	12	37.1	36.2	15.8	25.1	38.6	36.6	15.7	29.3	39.6	16
18		8	8	8	30.6	29.8	14.4	22.7	32.1	30.2	14.2	26.6	33.1	18
20					12.0	12.0	12.0	12.0	25.3	12.9	24.4	28.2	20	
22									21.4	11.8	22.5	24.3	22	
24									12.0	10.0	12.0	12.0	24	
臂架组合 Boom combination	000000	000001	001000	010000	110000	200000	000002	000011	011000	210000	000021	000111	011100	臂架组合 Boom combination

履带全伸, 转台配重56t, 车身配重15t, 360°作业, 不行走
Fully extended crawler track, 56t turntable counterweight, 15car-body counterweight, 360°working, no travel

幅度 Radius	臂架长度												幅度 Radius	
	37.1		33.3		36.2									
5	101.0	94.9	30.6	46.5	59.7	98.0	28.7							5
6	100.5	84.7	27.7	41.9	56.3	90.3	26.4	80.0	78.1	28.7	34.3	52.2	6	
7	90.0	76.5	25.4	38.2	52.8	83.1	24.1	80.0	71.4	26.5	32.1	48.1	7	
8	81.7	69.5	23.1	34.5	50.1	77.3	22.2	79.7	65.2	24.4	30.0	44.1	8	
9	74.8	63.4	21.4	31.8	47.4	71.9	20.5	72.8	60.1	22.7	28.0	40.4	9	
10	68.9	58.3	19.8	29.5	45.2	67.4	19.0	67.0	55.6	21.2	26.0	36.8	10	
12	57.6	50.0	17.3	25.7	40.8	59.5	16.5	57.8	47.4	18.6	22.9	31.9	12	
14	47.4	43.7	15.2	22.7	36.6	49.4	14.6	48.0	41.2	16.6	20.2	28.0	14	
16	38.8	37.3	13.6	20.2	33.0	40.7	13.1	39.8	36.4	14.9	18.0	24.9	16	
18	32.4	30.9	12.3	18.2	30.1	34.2	11.8	33.4	31.8	13.5	16.2	22.5	18	
20	27.4	26.0	11.2	16.6	27.6	29.2	10.6	28.4	26.9	12.3	14.8	20.3	20	
22	23.5	22.1	10.2	15.2	25.6	25.3	9.7	24.5	23.0	11.3	13.5	18.5	22	
24	20.4	19.0	9.4	14.0	23.5	22.1	9.0	21.3	19.9	10.5	12.4	17.0	24	
26	17.8	16.4	8.7	13.0	20.9	19.5	8.3	18.7	17.3	9.7	11.5	15.6	26	
28	15.3	13.8	8.1	12.1	18.5	17.0	7.7	16.5	15.1	9.1	10.6	14.5	28	
30							7.2	14.6	13.2	8.5	9.9	13.4	30	
32								13.0	11.6	8.0	9.2	12.6	32	
臂架组合 Boom combination	111100	211000	000022	000211	001111	011110	000033	111110	211100	000122	000221	002111	臂架组合 Boom combination	

主臂起重性能表
Boom Lifting Load Chart

履带全伸, 转台配重56t, 车身配重15t, 360°作业, 不行走
Fully extended crawler track, 56t turntable counterweight, 15car-body counterweight, 360°working, no travel

幅度 Radius	臂架长度														幅度 Radius	
	40.8				45.4				50							
7	56.7	64.1	26.3	41.6	55.2											7
8	54.1	60.1	24.8	38.3	51.4	55.9	51.9	25.0	29.9							8
9	51.6	56.0	23.2	34.9	47.5	52.3	47.9	23.7	28.4	46.0	44.3	38.1	23.1	33.4		9
10	49.5	51.9	21.8	32.5	44.2	48.7	43.9	22.4	26.9	43.7	41.0	37.5	22.2	32.2		10
12	45.6	44.9	19.4	28.7	38.3	42.6	37.6	20.1	23.6	37.7	35.1	33.6	20.3	28.9		12
14	42.3	39.5	17.2	25.3	33.4	37.5	32.9	18.2	20.8	33.1	30.7	29.4	18.1	25.5		14
16	38.9	34.6	15.2	22.5	29.9	33.3	28.8	16.4	18.4	29.3	27.2	25.9	16.2	22.7		16
18	34.3	30.8	13.7	20.3	26.8	30.0	25.7	14.7	16.6	26.2	24.2	23.1	14.5	20.4		18
20	29.3	27.8	12.5	18.4	24.5	27.2	23.1	13.5	15.1	23.8	21.8	20.7	13.2	18.5		20
22	25.4	23.9	11.5	16.8	22.5	24.7	20.9	12.3	13.8	21.7	19.6	18.8	12.1	16.9		22
24	22.2	20.7	10.6	15.5	20.6	21.6	19.0	11.4	12.7	19.8	18.0	17.1	11.2	15.5		24
26	19.6	18.1	9.8	14.2	19.0	19.0	17.5	10.5	11.7	18.2	16.4	15.6	10.3	14.3		26
28	17.4	15.9	9.0	13.2	17.6	16.8	15.4	9.7	10.8	16.6	15.1	14.3	9.6	13.2		28
30	15.5	14.1	8.4	12.4	15.9	14.9	13.5	9.1	10.1	14.8	14.0	13.2	8.9	12.4		30
32	13.9	12.5	7.9	11.6	14.3	13.3	11.9	8.5	9.4	13.2	12.6	12.1	8.3	11.5		32
34	12.5	11.1	7.4	10.8	12.9	11.9	10.5	8.0	8.8	11.8	11.2	11.0	7.7	10.7		34
36	11.3	9.8	6.9	10.1	11.7	10.7	9.3	7.5	8.3	10.5	10.0	9.8	7.3	10.0		36
38						9.6	8.2	7.0	7.8	9.4	8.9	8.7	6.8	9.5		38
40						8.6	7.3	6.6	7.3	8.5	7.9	7.7	6.4	8.9		40
42										7.6	7.0	6.9	6.1	8.4		42
44										6.8	6.2	6.1	5.7	7.9		44
臂架组合 Boom combination	111111	211110	000222	002211	021111	211111	222100	001222	002221	221111	222110	222200	002222	022211	臂架组合 Boom combination	

履带全伸, 转台配重56t, 车身配重15t, 360°作业, 不行走
Fully extended crawler track, 56t turntable counterweight, 15car-body counterweight, 360°working, no travel

幅度 Radius	臂架长度												幅度 Radius		
	53.1			54.5						59.1					
10	20.0	29.1	31.7	29.9	21.8	25.9									10
12	18.6	28.2	31.8	30.1	20.2	24.1	20.0	21.5	25.8	24.5	19.8				12
14	16.5	25.6	28.8	27.2	18.8	22.0	18.9	20.0	24.8	24.9	18.6				14
16	14.7	22.7	25.5	24.1	17.4	19.7	17.8	18.7	23.3	22.5	17.5				16
18	13.3	20.4	23.0	21.5	15.7	17.7	16.7	17.4	20.9	20.2	15.8				18
20	12.0	18.5	20.8	19.3	14.3	16.0	15.6	16.3	18.9	18.2	14.3				20
22	11.0	16.8	18.8	17.5	13.0	14.6	14.7	15.3	17.3	16.6	13.2				22
24	10.1	15.4	17.2	16.0	12.0	13.5	13.6	14.4	15.7	15.1	12.0				24
26	9.3	14.1	15.7	14.5	11.1	12.4	12.6	13.7	14.5	13.9	11.1				26
28	8.6	13.0	14.5	13.4	10.3	11.5	11.7	12.9	13.5	12.8	10.3				28
30	8.0	12.1	13.4	12.3	9.6	10.6	10.8	12.2	12.5	11.8	9.7				30
32	7.5	11.2	12.4	11.5	8.9	9.9	10.2	11.5	11.6	10.9	9.0				32
34	6.9	10.5	11.6	10.6	8.4	9.3	9.5	10.8	10.9	10.2	8.4				34
36	6.5	9.9	10.7	9.8	7.9	8.7	9.0	10.1	10.2	9.5	7.9				36
38	6.1	9.2	9.6	9.2	7.4	8.2	8.5	9.5	9.5	8.9	7.4				38
40	5.7	8.6	8.6	8.3	7.0	7.6	8.0	9.0	8.9	8.4	7.0				40
42	5.4	8.1	7.7	7.4	6.6	7.2	7.6	8.5	8.3	7.8	6.6				42
44	5.1	7.5	6.9	6.6	6.3	6.8	7.2	7.8	7.5	7.2	6.2				44
46	4.9	6.8	6.2	5.9	5.9	6.4	6.8	7.1	6.8	6.5	5.9				46
48		6.2	5.6	5.3	5.7	6.1	6.5	6.5	6.1	5.8	5.6				48
50		5.4	4.7	4.4	5.4	5.7	6.2	5.9	5.5	5.2	5.3				50
52							5.9	5.3	5.0	4.7	5.0				52
54							5.8	4.8	4.5	4.2	4.8				54
臂架组合 Boom combination	003333	122220	222111	222210	012222	022221	112222	221122	222112	222211	022222	臂架组合 Boom combination			

主臂起重性能表
Boom Lifting Load Chart

履带全伸, 转台配重56t, 车身配重15t, 360°作业, 不行走
Fully extended crawler track, 56t turntable counterweight, 15t car-body counterweight, 360° working, no travel

幅度 Radius	臂架长度							幅度 Radius
	63.7	68.2	69.8	71.4	73			
12	18.3	19.8	19.5					12
14	18.2	19.0	19.5	15.7	14.6	13.4	11.6	14
16	17.2	18.1	19.5	15.7	14.7	13.5	11.6	16
18	16.3	17.1	18.2	15.7	14.8	13.6	11.6	18
20	15.2	16.2	16.4	15.1	14.1	13.5	11.7	20
22	13.9	15.3	15.0	13.8	13.3	12.8	11.8	22
24	12.9	14.1	13.7	12.6	12.3	11.7	11.3	24
26	11.7	13.0	12.5	11.5	11.2	10.8	10.5	26
28	10.9	12.0	11.5	10.7	10.4	9.9	9.7	28
30	10.1	11.1	10.6	9.9	9.6	9.3	8.9	30
32	9.5	10.4	10.0	9.2	8.9	8.6	8.3	32
34	8.9	9.6	9.2	8.6	8.3	8.0	7.8	34
36	8.3	9.1	8.6	8.1	7.8	7.5	7.3	36
38	7.9	8.4	8.0	7.6	7.3	7.0	6.9	38
40	7.4	8.0	7.6	7.2	6.9	6.6	6.3	40
42	7.0	7.5	7.1	6.8	6.4	6.2	6.0	42
44	6.6	7.1	6.7	6.4	6.0	5.8	5.6	44
46	6.2	6.7	6.3	5.9	5.6	5.4	5.3	46
48	5.9	6.4	5.9	5.5	5.2	5.1	4.9	48
50	5.7	5.9	5.6	5.4	4.8	4.7	4.7	50
52	5.4	5.3	5.1	5.0	4.4	4.4	4.5	52
54	5.1	4.8	4.6	4.8	4.1	4.1	4.1	54
56	4.9	4.4	4.1	4.5	3.9	3.8	3.8	56
58	4.5	3.9	3.7	4.1	3.6	3.6	3.6	58
60				3.7	3.3	3.3	3.3	60
62				3.3	3.1	3.0	3.1	62
64					2.9	2.8	2.9	64
66							2.7	66
68							1.9	68
臂架组合 Boom combination	122222	222122	222221	222222	332222	333322	333333	臂架组合 Boom combination

履带窄轨, 转台配重16t, 车身配重15t, 360°作业, 不行走
Crawler track in narrow gauge mode, 16t turntable counterweight, 15t car-body counterweight, 360° working, no travel

幅度 Radius	臂架长度												幅度 Radius	
	13.4	18			22.5			27.1						
3	137.1	60.3	120.4	118.9	103.6	102.3	44.6	64.2	106.1					3
3.5	112.2	56.7	100.6	99.2	87.7	86.4	41.8	61.5	90.0					3.5
4	94.5	54.0	86.0	84.7	75.6	74.5	39.2	58.8	77.8	68.3	41.0	61.7	72.6	4
4.5	81.2	51.5	74.8	73.6	66.2	65.1	36.9	56.2	68.3	60.2	38.5	59.5	64.3	4.5
5	70.9	49.1	66.0	64.8	58.6	57.5	34.5	53.8	60.6	53.5	36.0	57.3	57.5	5
6	52.1	44.6	52.9	51.8	47.1	46.1	31.3	49.8	49.0	43.3	32.3	50.4	47.1	6
7	40.3	41.2	41.5	40.5	38.9	37.9	28.5	44.6	40.7	35.9	29.3	42.7	39.5	7
8	32.3	35.4	33.4	32.5	31.6	30.7	26.2	36.8	33.3	30.2	26.7	36.8	33.7	8
9	26.4	29.5	27.5	26.6	25.8	25.0	24.2	30.8	27.4	25.3	24.6	31.2	28.5	9
10	22.0	25.0	23.1	22.2	21.4	20.6	22.6	26.2	23.0	20.9	22.9	26.7	24.0	10
12		18.6	16.8	15.9	15.2	14.4	19.8	19.8	16.7	14.7	20.0	20.2	17.6	12
14		14.2	12.5	11.6	11.0	10.2	15.8	15.4	12.4	10.5	16.2	15.9	13.4	14
16					7.9	7.2	12.7	12.3	9.3	7.5	13.1	12.7	10.3	16
18					5.6	4.9	10.3	9.9	7.0	5.2	10.7	10.3	7.9	18
20					3.7	3.0	8.4	8.1	5.1	3.4	8.8	8.5	6.1	20
22										2.0	7.3	7.0	4.6	22
24										0.7	6.1	5.8	3.4	24
臂架组合 Boom combination	000000	000001	001000	010000	110000	200000	000002	000011	011000	210000	000021	000111	011100	臂架组合 Boom combination

主臂起重性能表
Boom Lifting Load Chart

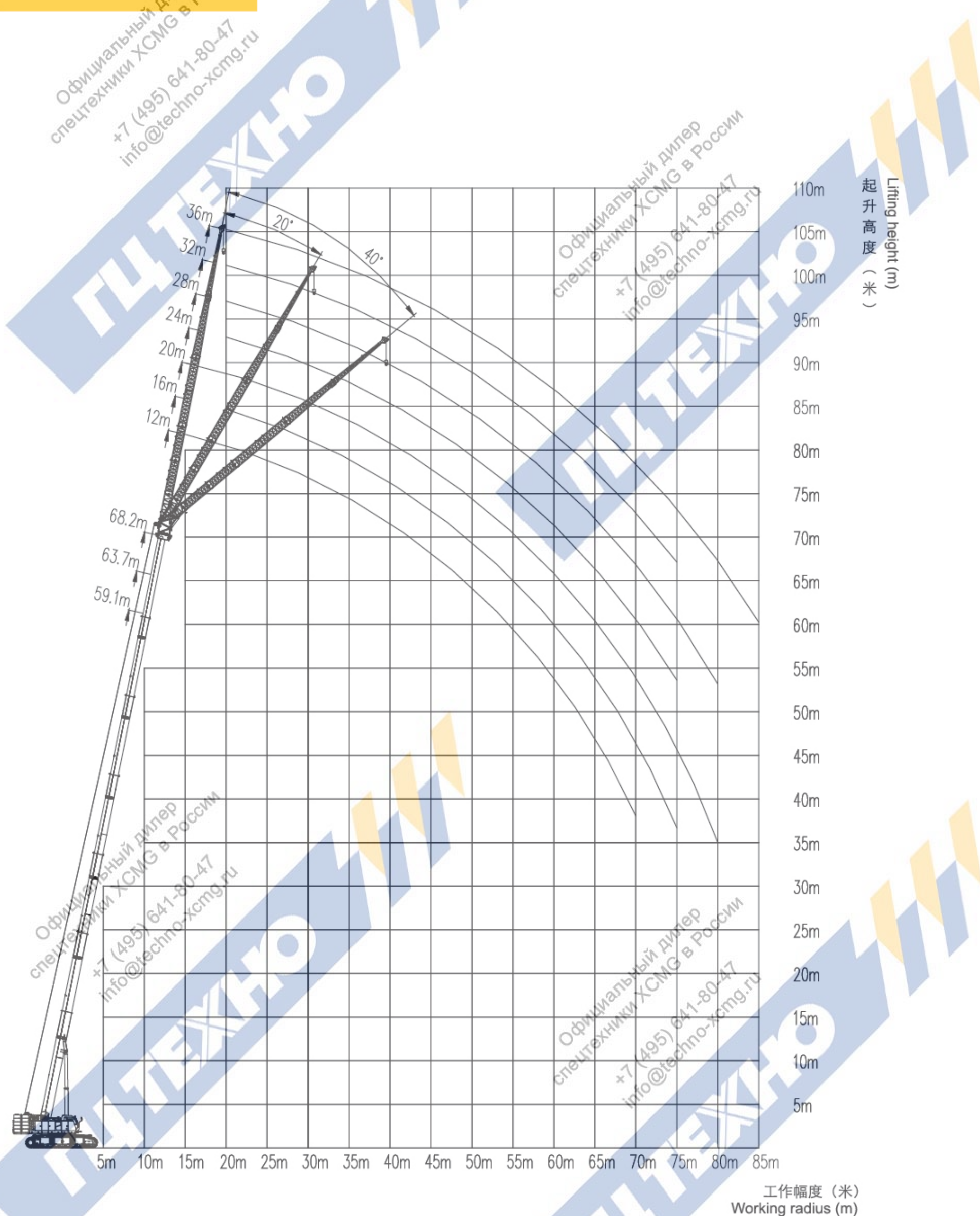
履带窄轨, 转台配重16t, 车身配重15t, 360°作业, 不行走
Crawler track in narrow gauge mode, 16t turntable counterweight, 15t car-body counterweight, 360°working, no travel

幅度 Radius	臂架长度												幅度 Radius
	37.1				33.3				36.2				
5	52.6	50.6	30.6	46.5	56.9	54.9	28.7						5
6	43.3	41.4	27.7	41.9	47.4	45.5	26.4	41.9	40.0	28.7	34.3	44.7	6
7	36.4	34.6	25.4	38.2	40.3	38.5	24.1	35.6	33.7	26.5	32.1	38.3	7
8	31.1	29.3	23.1	34.5	34.9	33.2	22.2	30.6	28.8	24.4	30.0	33.2	8
9	26.8	25.2	21.4	31.1	30.6	28.9	20.5	26.7	24.9	22.7	28.0	29.2	9
10	23.2	21.7	19.8	27.0	26.6	25.0	19.0	23.4	21.7	21.2	26.0	25.9	10
12	16.9	15.4	17.3	20.5	20.1	18.6	16.5	17.8	16.3	18.6	21.0	20.0	12
14	12.6	11.2	15.2	16.1	15.8	14.3	14.6	13.5	12.1	16.6	16.6	15.7	14
16	9.5	8.2	13.6	13.0	12.6	11.2	13.1	10.5	9.0	14.0	13.5	12.5	16
18	7.2	5.9	11.5	10.6	10.2	8.9	11.6	8.1	6.7	11.6	11.1	10.2	18
20	5.4	4.1	9.6	8.8	8.4	7.0	9.8	6.3	4.9	9.7	9.2	8.3	20
22	4.0	2.6	8.1	7.3	6.9	5.6	8.3	4.8	3.4	8.2	7.7	6.8	22
24	2.7	1.4	6.9	6.0	5.7	4.3	7.0	3.6	2.2	7.0	6.5	5.6	24
26	1.7		5.8	5.0	4.7	3.3	6.0	2.6	1.2	5.9	5.5	4.6	26
28	0.9		5.0	4.1	3.8	2.5	5.1	1.8		5.1	4.6	3.7	28
30							4.4	1.0		4.3	3.8	3.0	30
32										3.6	3.2	2.3	32
臂架组合 Boom combination	111100	211000	000022	000211	001111	011110	000033	111110	211100	000122	000221	002111	臂架组合 Boom combination

履带窄轨, 转台配重16t, 车身配重15t, 360°作业, 不行走
Crawler track in narrow gauge mode, 16t turntable counterweight, 15t car-body counterweight, 360°working, no travel

幅度 Radius	臂架长度												幅度 Radius		
	40.8				45.4				50						
7	35.0	33.1	26.3	36.7	35.5								7		
8	30.3	28.5	24.8	32.1	30.8	28.2	26.5	25.0	29.9				8		
9	26.6	24.8	23.2	28.3	27.1	24.7	23.0	23.7	27.7	23.5	22.8	22.6	23.1	25.3	9
10	23.5	21.7	21.8	25.2	24.0	21.8	20.1	22.4	24.7	20.8	20.1	19.9	22.2	22.5	10
12	18.7	17.0	19.4	20.3	19.2	17.3	15.7	20.1	20.1	16.5	15.8	15.6	20.0	18.2	12
14	14.5	12.9	17.2	15.9	14.9	13.8	12.3	17.0	16.3	13.3	12.6	12.4	16.7	14.9	14
16	11.4	9.9	14.0	12.8	11.8	10.7	9.3	13.8	13.2	10.5	9.9	9.7	13.6	12.0	16
18	9.0	7.5	11.6	10.4	9.4	8.4	7.0	11.4	10.8	8.2	7.6	7.5	11.3	9.7	18
20	7.2	5.7	9.8	8.5	7.6	6.6	5.2	9.6	8.9	6.4	5.8	5.7	9.4	7.8	20
22	5.7	4.3	8.3	7.1	6.1	5.1	3.7	8.1	7.4	4.9	4.4	4.2	7.9	6.4	22
24	4.5	3.1	7.0	5.8	4.9	3.9	2.5	6.8	6.2	3.7	3.2	3.0	6.7	5.1	24
26	3.5	2.1	6.0	4.8	3.9	2.9	1.5	5.8	5.2	2.7	2.2	2.0	5.6	4.1	26
28	2.6	1.2	5.1	3.9	3.0	2.0	0.7	4.9	4.3	1.9	1.3	1.2	4.8	3.3	28
30	1.9		4.4	3.2	2.3	1.3		4.2	3.6	1.2	0.6		4.0	2.5	30
32	1.2		3.7	2.6	1.6	0.7		3.5	2.9	0.5			3.4	1.9	32
34	0.7		3.1	2.0	1.1			3.0	2.3				2.8	1.3	34
36			2.6	1.5	0.6			2.5	1.8				2.3	0.8	36
38								2.0	1.4				1.8		38
40								1.6	1.0				1.4		40
42													1.1		42
44													0.8		44
臂架组合 Boom combination	111111	211110	000222	002211	021111	211111	222100	001222	002221	221111	222110	222200	002222	022211	臂架组合 Boom combination

固定副臂作业范围图
Fixed Jib Working Area



固定副臂起重性能表
Fixed Jib Lifting Load Chart

副臂0°安装角, 履带全伸, 转台配重56t, 车身配重15t, 360°作业, 不行走
Jib offset angle 0°, Fully extended crawler track, 56t turntable counterweight, 15t car-body counterweight, 360° working, no travel

主臂长度(m) Boom length(m)	59.1	59.1	63.7	63.7	68.2	73	主臂长度(m) Boom length(m)
副臂长度(m) Jib length (m)	12	12	12	12	12	12	副臂长度(m) Jib length (m)
幅度(m) Radius(m)							幅度(m) Radius(m)
14	12.3	12.5	10.5	11.9			14
16	11.8	12.5	10.5	11.5	10.0	7.9	16
18	10.9	12.5	10.4	11.1	9.8	7.9	18
20	10.4	12.5	9.9	10.6	9.5	7.9	20
22	9.9	12.5	9.6	9.9	9.2	7.9	22
24	9.4	11.9	9.2	9.4	8.9	7.8	24
26	9.0	11.1	8.7	9.0	8.5	7.6	26
28	8.4	10.4	8.3	8.6	8.2	7.3	28
30	7.9	9.9	7.7	8.2	7.8	7.1	30
32	7.4	9.3	7.1	7.8	7.5	6.8	32
34	7.0	8.8	6.6	7.4	7.2	6.6	34
36	6.6	8.3	6.2	7.0	6.9	6.1	36
38	6.2	7.9	5.7	6.6	6.5	5.7	38
40	5.8	7.4	5.4	6.3	6.1	5.3	40
42	5.5	7.0	5.0	6.0	5.7	4.9	42
44	5.2	6.6	4.7	5.7	5.3	4.6	44
46	4.9	6.2	4.4	5.4	5.0	4.3	46
48	4.6	5.5	4.2	5.1	4.9	4.0	48
50	4.4	5.0	3.9	4.9	4.6	3.8	50
52	4.2	4.4	3.7	4.6	4.5	3.5	52
54	3.9	4.0	3.4	4.2	4.3	3.2	54
56	3.8	3.5	3.3	3.7	4.0	3.0	56
58	3.6	3.1	3.1	3.3	3.6	2.8	58
60	3.4	2.7	2.9	2.9	3.2	2.7	60
62	3.2	2.4	2.8	2.6	2.8	2.5	62
64	3.1	2.0	2.6	2.2	2.5	2.3	64
66	2.7	1.3	2.4	1.9	2.2	2.1	66
68			2.3	1.6	1.9	1.9	68
70			2.0	1.1	1.6	1.6	70
72					1.4	1.3	72
74						1.1	74
主臂组合 Boom combination	112222	222211	122222	222221	222222	333333	主臂组合 Boom combination

固定副臂起重性能表
Fixed Jib Lifting Load
Chart

副臂0°安装角, 履带全伸, 转台配重56t, 车身配重15t, 360°作业, 不行走

Jib offset angle 0°, Fully extended crawler track, 56t turntable counterweight, 15t car-body counterweight, 360° working, no travel

主臂长度(m) Boom length(m)	59.1	59.1	63.7	63.7	68.2	73	主臂长度(m) Boom length(m)
副臂长度(m) Jib length (m)	20	20	20	20	20	20	副臂长度(m) Jib length (m)
幅度(m) Radius(m)							幅度(m) Radius(m)
14	6.3	6.8					14
16	6.3	6.8	5.8	6.2	5.5		16
18	6.3	6.8	5.8	6.2	5.6	5.1	18
20	6.4	6.9	5.8	6.2	5.6	5.1	20
22	6.4	6.9	5.9	6.3	5.6	5.1	22
24	6.4	6.8	5.9	6.3	5.7	5.1	24
26	6.3	6.4	6.0	6.3	5.7	5.2	26
28	5.9	6.0	6.0	6.2	5.8	5.2	28
30	5.5	5.6	5.8	5.9	5.8	5.3	30
32	5.2	5.3	5.5	5.5	5.7	5.3	32
34	4.9	5.0	5.2	5.2	5.5	5.3	34
36	4.6	4.7	5.0	5.0	5.4	5.2	36
38	4.4	4.4	4.7	4.7	5.2	5.1	38
40	4.2	4.2	4.5	4.5	5.0	4.9	40
42	4.0	4.0	4.4	4.3	4.8	4.6	42
44	3.8	3.9	4.2	4.1	4.6	4.3	44
46	3.7	3.7	4.0	3.9	4.4	4.1	46
48	3.5	3.5	3.7	3.8	4.3	3.9	48
50	3.4	3.4	3.5	3.6	4.2	3.5	50
52	3.3	3.3	3.2	3.5	3.9	3.3	52
54	3.2	3.2	3.1	3.4	3.7	3.1	54
56	3.1	3.0	2.9	3.3	3.6	2.9	56
58	3.0	2.9	2.7	3.2	3.5	2.7	58
60	2.9	2.9	2.6	3.1	3.3	2.6	60
62	2.8	2.8	2.4	3.0	3.1	2.4	62
64	2.7	2.5	2.2	2.7	2.9	2.3	64
66	2.7	2.2	2.1	2.4	2.6	2.2	66
68	2.6	1.9	2.0	2.1	2.3	2.0	68
70	2.5	1.6	1.9	1.8	2.0	1.9	70
72	2.3	1.4	1.8	1.5	1.7	1.6	72
74	1.8	1.2	1.6	1.3	1.5	1.4	74
76			1.5	1.0	1.2	1.2	76
78			1.1		1.0	0.9	78
主臂组合 Boom combination	112222	222211	122222	222221	222222	333333	主臂组合 Boom combination

副臂0°安装角, 履带全伸, 转台配重56t, 车身配重15t, 360°作业, 不行走

Jib offset angle 0°, Fully extended crawler track, 56t turntable counterweight, 15t car-body counterweight, 360° working, no travel

主臂长度(m) Boom length(m)	59.1	59.1	63.7	63.7	68.2	73	主臂长度(m) Boom length(m)
副臂长度(m) Jib length (m)	28	28	28	28	28	28	副臂长度(m) Jib length (m)
幅度(m) Radius(m)							幅度(m) Radius(m)
16	5.1	5.6					16
18	5.0	5.4	4.7	4.9	4.4		18
20	4.8	5.3	4.6	4.9	4.4	3.9	20
22	4.7	5.2	4.5	4.8	4.3	3.9	22
24	4.6	5.0	4.4	4.6	4.2	3.8	24
26	4.5	4.9	4.3	4.6	4.1	3.8	26
28	4.4	4.8	4.2	4.5	4.1	3.7	28
30	4.3	4.7	4.2	4.4	4.0	3.7	30
32	4.2	4.5	4.1	4.3	3.9	3.6	32
34	4.1	4.4	4.0	4.2	3.9	3.6	34
36	4.0	4.3	3.9	4.1	3.8	3.5	36
38	3.9	4.1	3.9	4.0	3.7	3.5	38
40	3.9	3.9	3.8	3.9	3.7	3.4	40
42	3.7	3.7	3.7	3.8	3.6	3.4	42
44	3.6	3.6	3.6	3.8	3.5	3.3	44
46	3.4	3.4	3.6	3.6	3.5	3.3	46
48	3.2	3.3	3.5	3.5	3.4	3.2	48
50	3.2	3.1	3.3	3.3	3.4	2.9	50
52	3.0	3.0	3.2	3.2	3.3	2.7	52
54	2.9	2.9	3.1	3.1	3.1	2.5	54
56	2.8	2.8	3.0	3.0	2.9	2.3	56
58	2.8	2.8	2.9	2.9	2.7	2.2	58
60	2.6	2.6	2.8	2.8	2.5	2.0	60
62	2.6	2.6	2.7	2.7	2.3	1.8	62
64	2.5	2.5	2.6	2.6	2.2	1.7	64
66	2.4	2.4	2.4	2.4	2.0	1.6	66
68	2.3	2.1	2.3	2.2	1.9	1.4	68
70	2.2	1.9	2.1	1.9	1.8	1.3	70
72	2.0	1.6	2.0	1.7	1.6	1.2	72
74	1.9	1.3	1.8	1.4	1.5	1.0	74
76	1.8	1.1	1.7	1.2	1.3	1.2	76
78	1.7		1.6	1.0	1.1	1.0	78
80					0.9		80
主臂组合 Boom combination	112222	222211	122222	222221	222222	333333	主臂组合 Boom combination

固定副臂起重性能表
Fixed Jib Lifting Load Chart

副臂0°安装角, 履带全伸, 转台配重56t, 车身配重15t, 360°作业, 不行走
Jib offset angle 0°, Fully extended crawler track, 56t turntable counterweight, 15t car-body counterweight, 360° working, no travel

主臂长度(m) Boom length(m)	59.1			59.1			63.7			63.7			68.2			主臂长度(m) Boom length(m)
副臂长度(m) Jib length (m)	36			36			36			36			36			副臂长度(m) Jib length (m)
副臂角度(°) Jib offset angle	0			20			40			0			20			副臂角度(°) Jib offset angle
18	3.5			3.9						3.3			3.4			18
20	3.4			3.8						3.2			3.4			20
22	3.3			3.7						3.1			3.3			22
24	3.3			3.6						3.0			3.2			24
26	3.2			3.5						3.0			3.2			26
28	3.1			3.4						3.0			3.1			28
30	3.0	2.4		3.3	2.5		2.9			3.1			2.8			30
32	3.0	2.4		3.2	2.5		2.8	2.3		3.0	2.4		2.7			32
34	2.9	2.3		3.1	2.4		2.8	2.2		2.9	2.3		2.7			34
36	2.8	2.3		3.0	2.4		2.7	2.2		2.9	2.3		2.6	2.1		36
38	2.7	2.2		3.0	2.3		2.7	2.1		2.8	2.2		2.6	2.1		38
40	2.7	2.2	1.7	2.9	2.3	1.7	2.6	2.1		2.7	2.2		2.5	2.0		40
42	2.6	2.1	1.6	2.8	2.2	1.6	2.6	2.1	1.6	2.7	2.1	1.7	2.5	2.0		42
44	2.6	2.1	1.6	2.7	2.1	1.6	2.5	2.0	1.6	2.6	2.1	1.6	2.4	2.0		44
46	2.5	2.0	1.6	2.7	2.1	1.6	2.5	2.0	1.6	2.6	2.0	1.6	2.4	2.0		46
48	2.5	2.0	1.5	2.6	2.1	1.5	2.4	2.0	1.6	2.5	2.0	1.6	2.3	1.9		48
50	2.4	1.9	1.5	2.5	2.0	1.5	2.4	1.9	1.5	2.4	2.0	1.5	2.3	1.9		50
52	2.3	1.9	1.5	2.5	2.0	1.5	2.3	1.9	1.5	2.4	1.9	1.5	2.3	1.9		52
54	2.3	1.8	1.5	2.4	1.9	1.5	2.2	1.9	1.5	2.3	1.9	1.5	2.2	1.8		54
56	2.2	1.8	1.4	2.3	1.9	1.4	2.2	1.8	1.5	2.3	1.9	1.5	2.2	1.8		56
58	2.2	1.8	1.4	2.3	1.9	1.4	2.1	1.8	1.5	2.2	1.8	1.4	2.1	1.8		58
60	2.1	1.7	1.4	2.2	1.9	1.4	2.1	1.8	1.4	2.1	1.8	1.4	2.0	1.8		60
62	2.1	1.7	1.4	2.2	1.8	1.4	2.0	1.8	1.4	2.0	1.7	1.4	1.9	1.6		62
64	2.0	1.6	1.4	2.1	1.8	1.4	1.9	1.7	1.4	1.9	1.7	1.4	1.8			64
66	1.9	1.6	1.4	2.1	1.7	1.4	1.9	1.6	1.4	1.9	1.7	1.4	1.7			66
68	1.8	1.6	1.4	1.9	1.7	1.4	1.9	1.4	1.4	1.8	1.5	1.4	1.6			68
70	1.7	1.6	1.4	1.8	1.5	1.4	1.8		1.4	1.7	1.4	1.5	1.5			70
72	1.7	1.5	1.4	1.7	1.5	1.4	1.7		1.4	1.6	1.4	1.5	1.5			72
74	1.6	1.4	1.4	1.5	1.5	1.4	1.6		1.4	1.5	1.4	1.4	1.4			74
76	1.6	1.3	1.4	1.3	1.4	1.4	1.5		1.3	1.3	1.3	1.3	1.3			76
78	1.5			1.1			1.4			1.1			1.1			78
80	1.4						1.3						1.3			80
82	1.3						1.2						1.2			82
84	1.2						1.1						1.1			84
主臂组合 Boom combination	112222			222211			122222			222221			222222			主臂组合 Boom combination

副臂0°安装角, 履带全伸, 转台配重56t, 车身配重15t, 360°作业, 不行走
Jib offset angle 0°, Fully extended crawler track, 56t turntable counterweight, 15t car-body counterweight, 360° working, no travel

主臂长度(m) Boom length(m)	59.1+8		59.1+8		63.7+8		63.7+8		68.2+8		主臂长度(m) Boom length(m)
副臂长度(m) Jib length (m)	32	36	32	36	32	36	32	36	32	36	副臂长度(m) Jib length (m)
幅度(m) Radius(m)											幅度(m) Radius(m)
20	3.4				3.8						20
22	3.4				3.7	3.1	3.2		3.4		22
24	3.3				3.7	3.1	3.1	2.6	3.3	2.8	24
26	3.2				3.6	3.0	3.1	2.5	3.3	2.7	26
28	3.2				3.5	2.9	3.0	2.5	3.2	2.7	28
30	3.1				3.5	2.9	3.0	2.5	3.2	2.6	30
32	3.1	2.6			3.4	2.8	2.9	2.4	3.1	2.6	32
34	3.0	2.5			3.3	2.8	2.9	2.4	3.1	2.5	34
36	3.0	2.5			3.3	2.7	2.9	2.4	3.0	2.5	36
38	2.9	2.4			3.2	2.6	2.8	2.3	3.0	2.5	38
40	2.9	2.4			3.1	2.6	2.8	2.3	2.9	2.4	40
42	2.8	2.3			3.1	2.5	2.7	2.2	2.9	2.4	42
44	2.8	2.3			3.0	2.5	2.7	2.2	2.8	2.3	44
46	2.7	2.3			3.0	2.4	2.6	2.2	2.8	2.3	46
48	2.6	2.2			2.9	2.4	2.6	2.1	2.7	2.2	48
50	2.5	2.2			2.8	2.3	2.5	2.1	2.7	2.2	50
52	2.4	2.1			2.8	2.3	2.3	2.1	2.6	2.2	52
54	2.3	2.0			2.7	2.3	2.2	2.0	2.5	2.1	54
56	2.2	1.9			2.7	2.2	2.1	1.9	2.4	2.1	56
58	2.1	1.8			2.5	2.2	2.0	1.9	2.3	2.1	58
60	2.0	1.8			2.3	2.1	2.0	1.8	2.3	2.0	60
62	1.8	1.7			2.2	2.0	1.9	1.7	2.2	1.9	62
64	1.8	1.6			2.2	1.8	1.9	1.7	2.1	1.8	64
66	1.7	1.6			2.1	1.8	1.8	1.6	2.1	1.7	66
68	1.7	1.5			2.1	1.8	1.7	1.5	1.9	1.7	68
70	1.7	1.4			2.0	1.7	1.6	1.5	1.7	1.6	70
72	1.6	1.4			1.8	1.7	1.5	1.4	1.6	1.5	72
74	1.5	1.3			1.6	1.6	1.3	1.4	1.4	1.4	74
76	1.4	1.2			1.3	1.4	1.1	1.3	1.2	1.3	76
78	1.3				1.1	1.1		1.0	1.2	1.2	78
80	1.2				0.9			0.9			80
82	1.1										82
主臂组合 Boom combination	112222		222211		122222		222221		222222		主臂组合 Boom combination

注意：
1. 实际起重重量必须从本表的额定起重重量中减去吊钩、吊具及缠绕在吊钩及臂头上的钢丝绳重量。
2. 表中额定载荷是在水平坚硬地面、重物被缓慢平稳吊起、非行走吊重工作时的值。
3. 表中工作幅度为吊载后的实际幅度。
Note:
1. For the actual use, the weight of hook block, slings and the wire rope around the hook block and boom head must be subtracted from the rated lifting capacity in the tables.
2. The rated lifting loads shown in above tables are the values based on the condition that the crane is set up on firm and level ground and the load is lifted slowly without travel.
3. The working radius shown in above tables is the actual radius after load lifting.

整机运输方案 Transport Planning

根据主体运输方案的不同，主要介绍以下两种运输方案，具体如下：

According to different transport scheme of basic machine, two transport plans are introduced, which are as follows:

■ 运输方案一 / Transport plan I

车辆1运输信息：

主体运输方案一，走台板翻折，拆除履带梁、平衡重、吊钩。

总重：61.5t

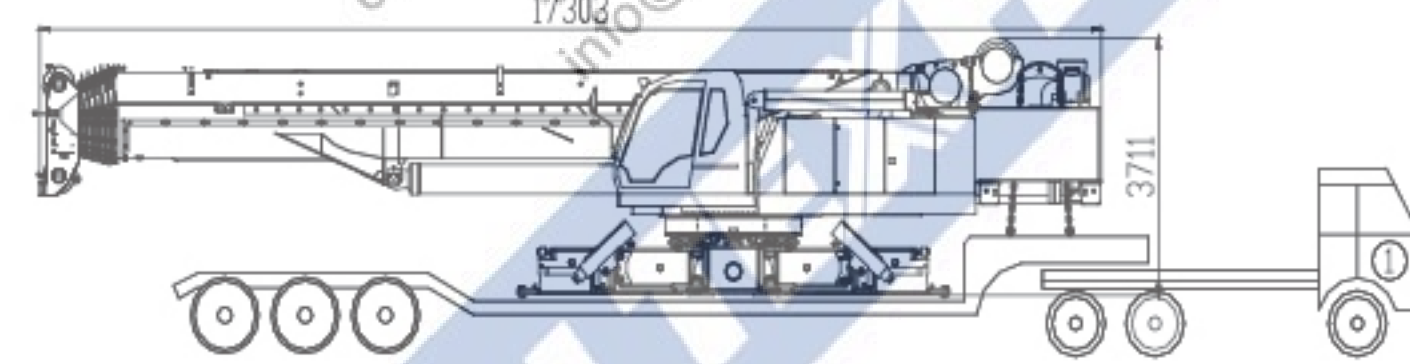
运输尺寸：17.3×3.5×3.71m

Transport vehicle 1 information:

Main transport plan I, folding catwalk, removing the track frames, counterweight and hook block.

Total weight: 61.5t

Transport dimension: 17.3×3.5×3.71m



车辆2运输信息：

包含以下件：左履带梁、下车平衡重（1块，共7.5t）

总重：29.5t

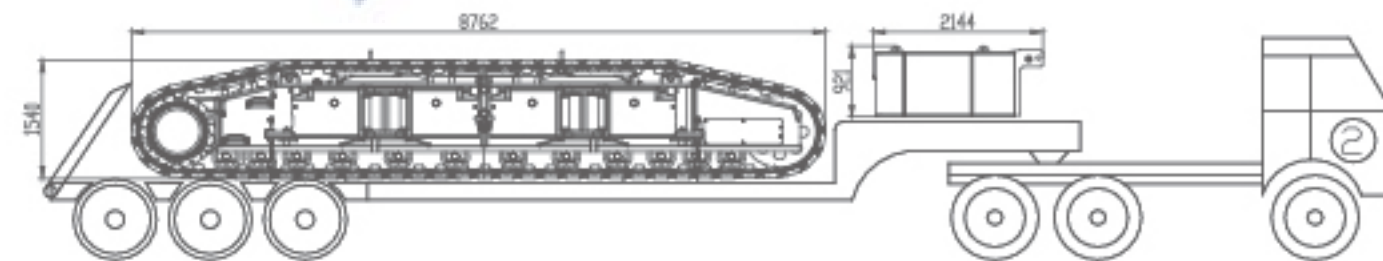
运输尺寸：10.9×1.4×1.54m

Transport vehicle 2 information:

Include the following parts: left track frame, lower structure counterweight (with one 7.5t counterweight)

Total weight: 29.5t

Transport dimension: 10.9×1.4×1.54m



车辆3运输信息：

包含以下件：右履带梁、下车平衡重（1块，共7.5t）

总重：29.5t

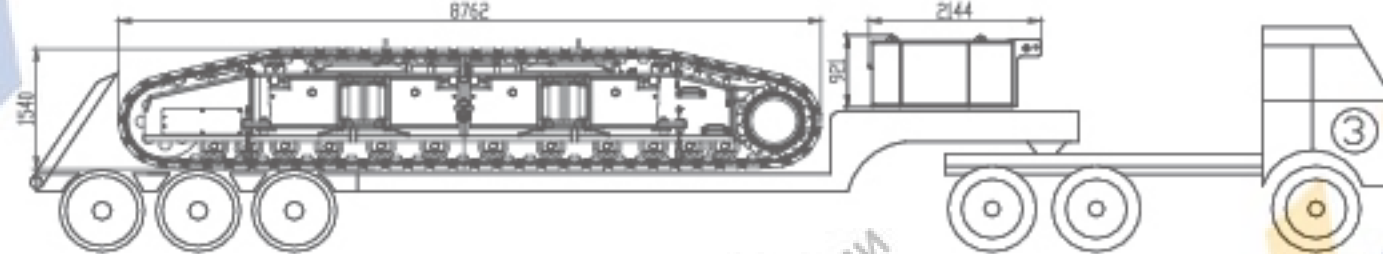
运输尺寸：10.9×1.4×1.54m

Transport vehicle 3 information:

Include the following parts: right track frame, lower structure counterweight (with one 7.5t counterweight)

Total weight: 29.5t

Transport dimension: 10.9×1.4×1.54m



车辆4运输信息：

包含以下件：加长节I、加长节II×2、二节副臂总成、转台平衡重块（4块，共20t）。

总重：21.57t

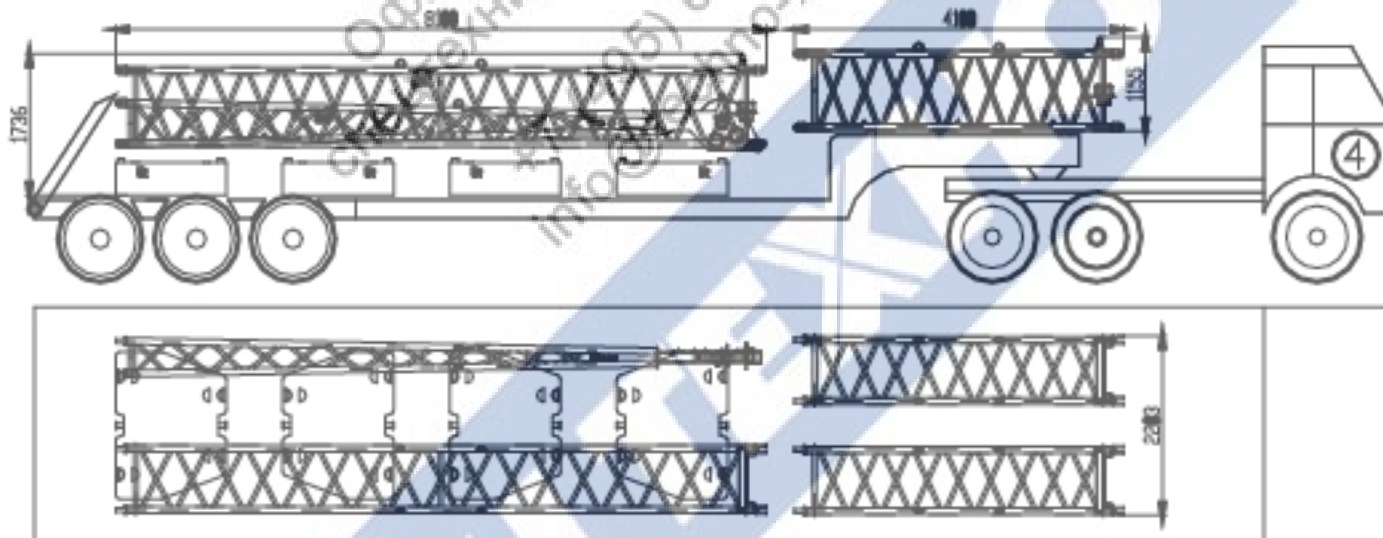
运输尺寸：12.2×2.2×1.736m

Transport vehicle 4 information:

Include the following parts: boom extension section I, boom extension section II×2, jib section 2 assembly, turntable counterweight (4 pieces, total of 20t).

Total weight: 21.57t

Transport dimension: 12.2×2.2×1.736m



车辆5运输信息：

包含以下件：主臂加长节、一节副臂总成、30t吊钩、12t吊钩、转台平衡重块（4块，共20t）。

总重：22.05t

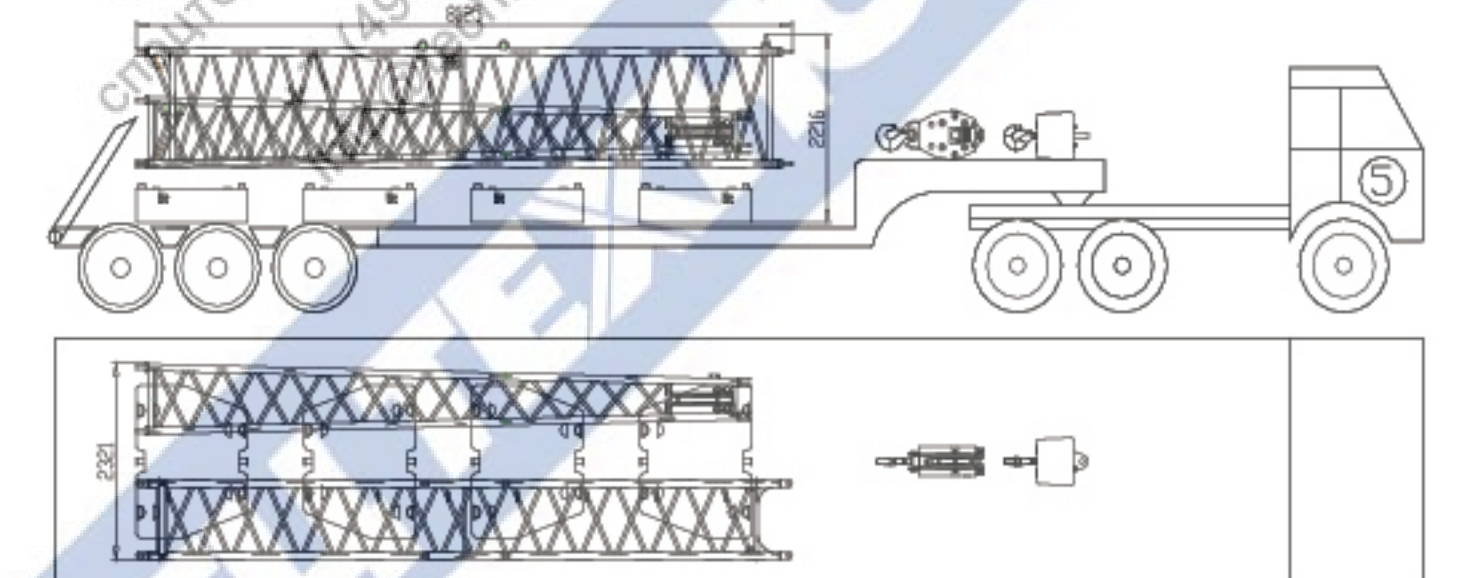
运输尺寸：8.125×2.32×2.216m

Transport vehicle 5 information:

Include the following parts: boom extension section, jib section 1 assembly, 30t hook block, 12t hook block, tunnable counterweight (4 pieces, total of 20t).

Total weight: 22.05t

Transport dimension: 8.125×2.32×2.216m



车辆6运输信息：

包含以下件：旋转架总成、160t吊钩、80t吊钩、平衡重托盘、转台平衡重块（2块，共10t）。

总重：20.6t

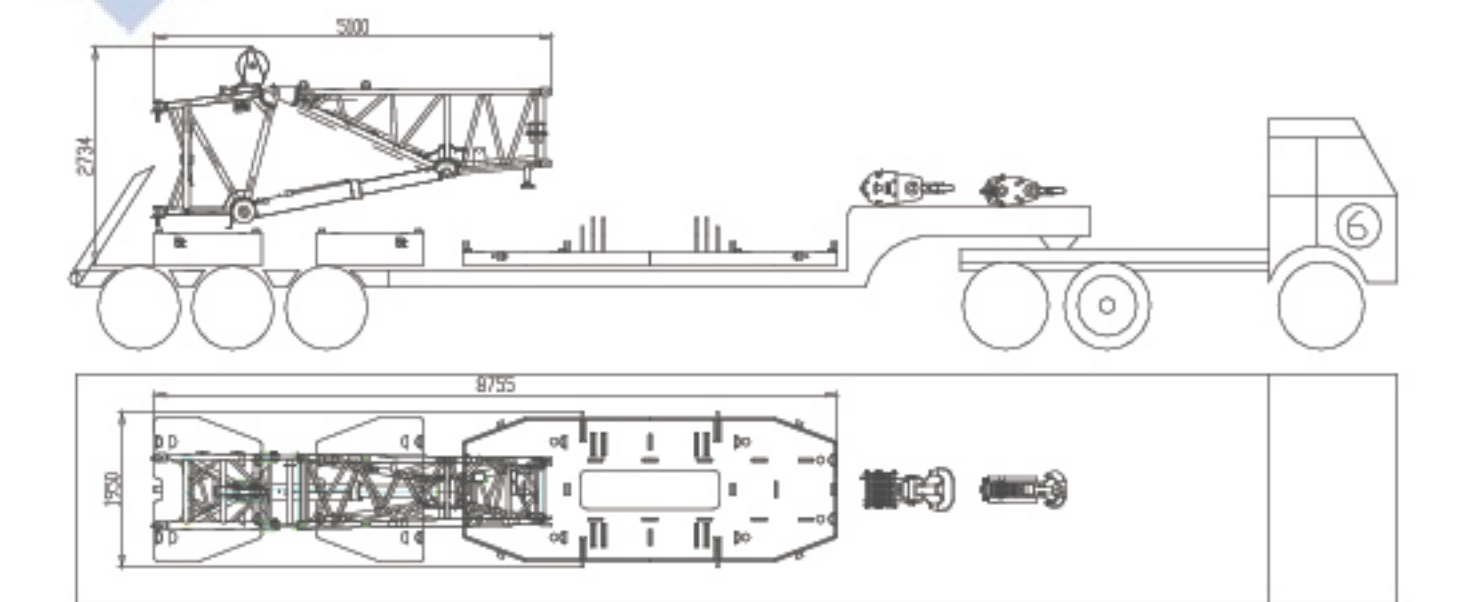
运输尺寸：8.75×1.95×2.734m

Transport vehicle 6 information:

Include the following parts: rotating frame assembly, 160t hook block, hook block, counterweight tray, turntable counterweight (2 pieces, total of 10t).

Total weight: 20.6t

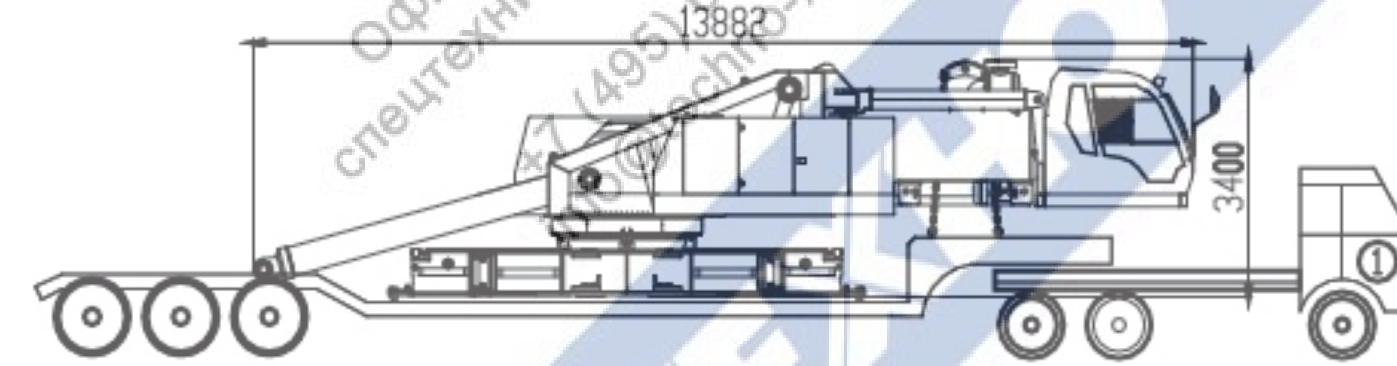
Transport dimension: 8.75×1.95×2.734m



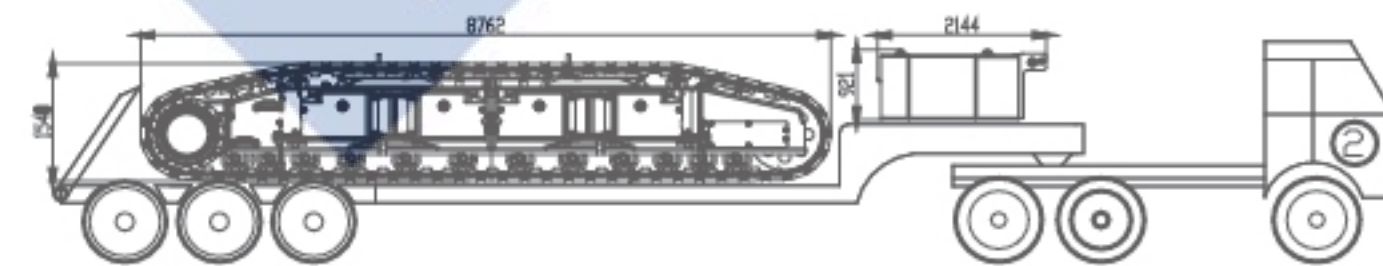
整机运输方案 Transport Planning

■ 运输方案二 / Transport plan II

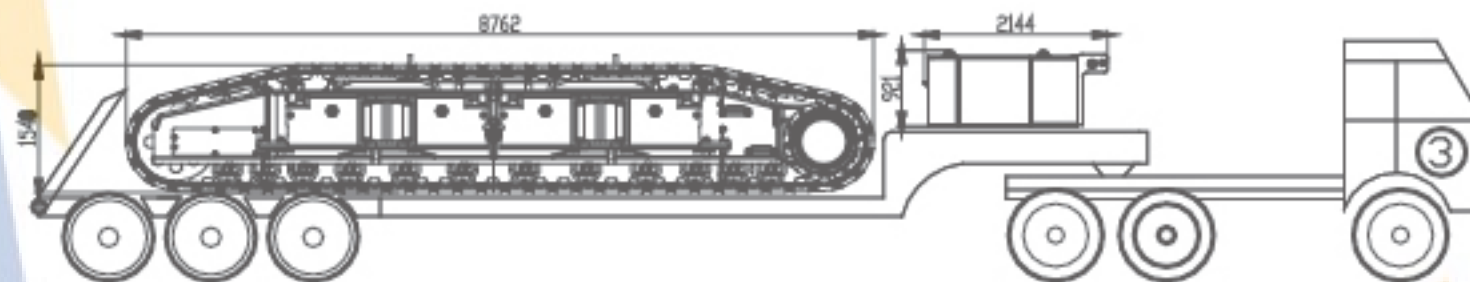
车辆1运输信息：
主体运输方案二，在运输方案一基础上拆除车架支腿，操纵室后摆。
总重：31t
运输尺寸：13.882×3.0×3.4m
Transport vehicle 1 information:
On the basis of transport plan I, remove car-body outrigger, rotate operator's cab to the rear side.
Total weight: 31t
Transport dimension: 13.882×3.0×3.4m



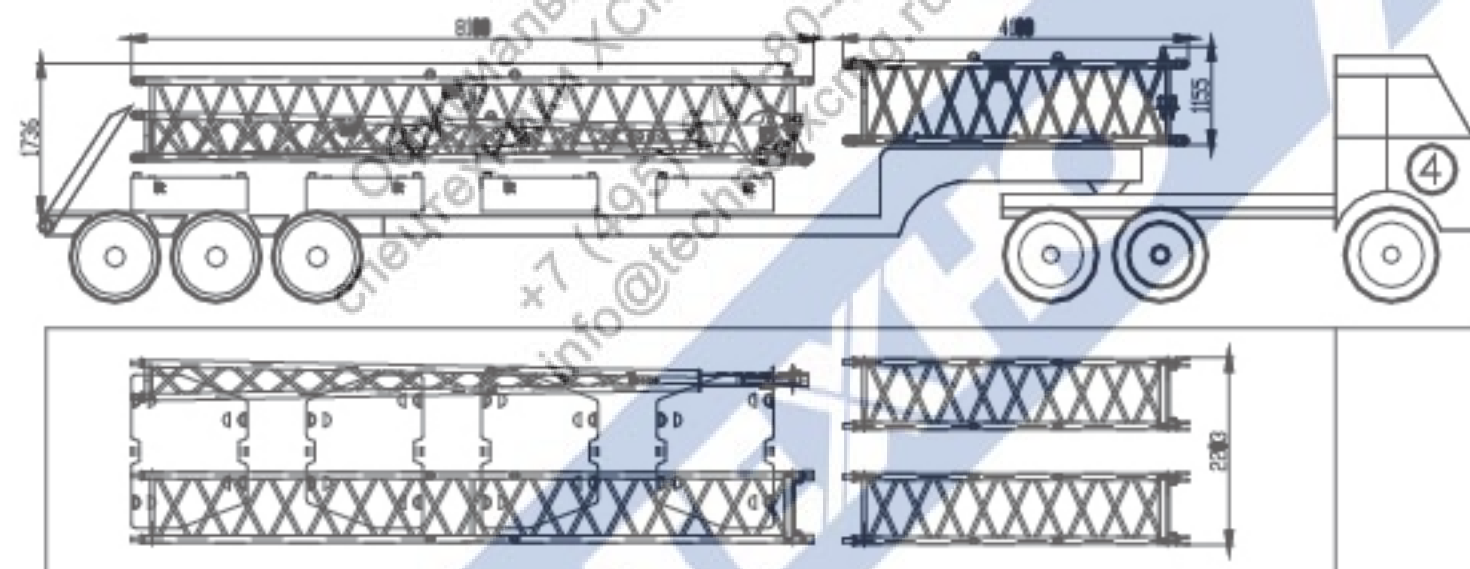
车辆2运输信息：
包含以下件：左履带梁、下车平衡重（1块，共7.5t）
总重：29.5t
运输尺寸：10.9×1.4×1.54m
Transport vehicle 2 information:
Include the following parts: left track frame, lower structure counterweight(with one 7.5t counterweight).
Total weight: 29.5t
Transport dimension: 10.9×1.4×1.54m



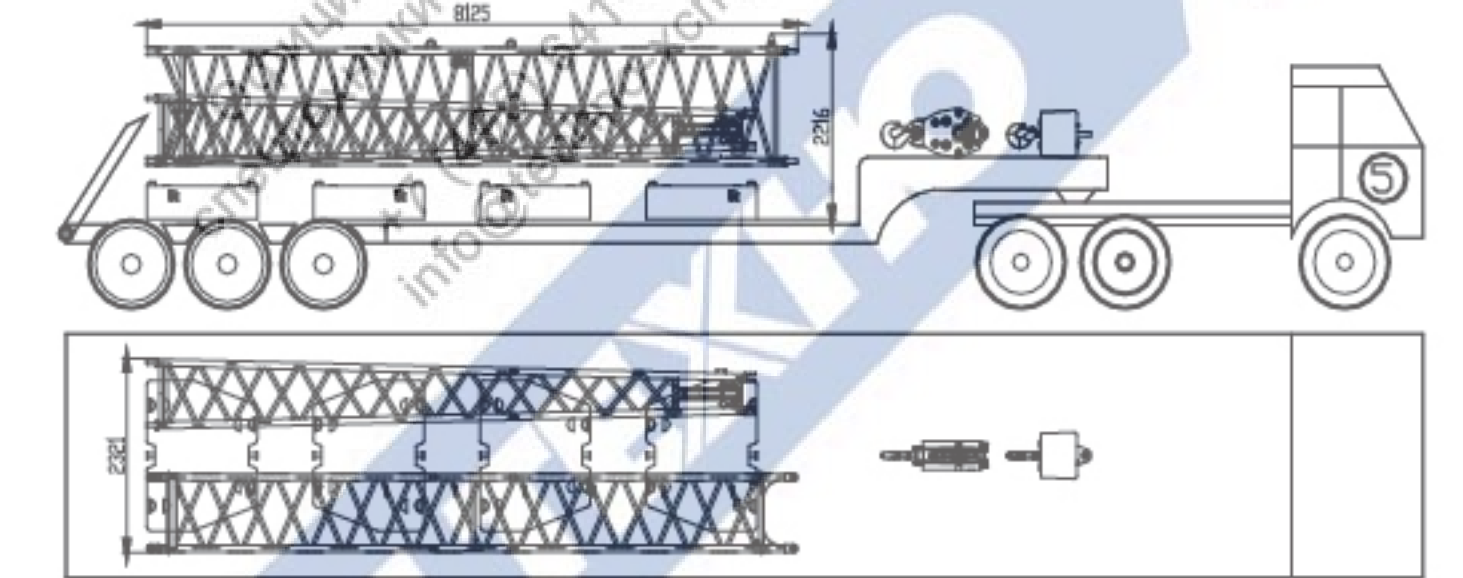
车辆3运输信息：
包含以下件：右履带梁、下车平衡重（1块，共7.5t）
总重：29.5t
运输尺寸：10.9×1.4×1.54m
Transport vehicle 3 information:
Include the following parts: right track frame, lower structure counterweight(with one 7.5t counterweight).
Total weight: 29.5t
Transport dimension: 10.9×1.4×1.54m



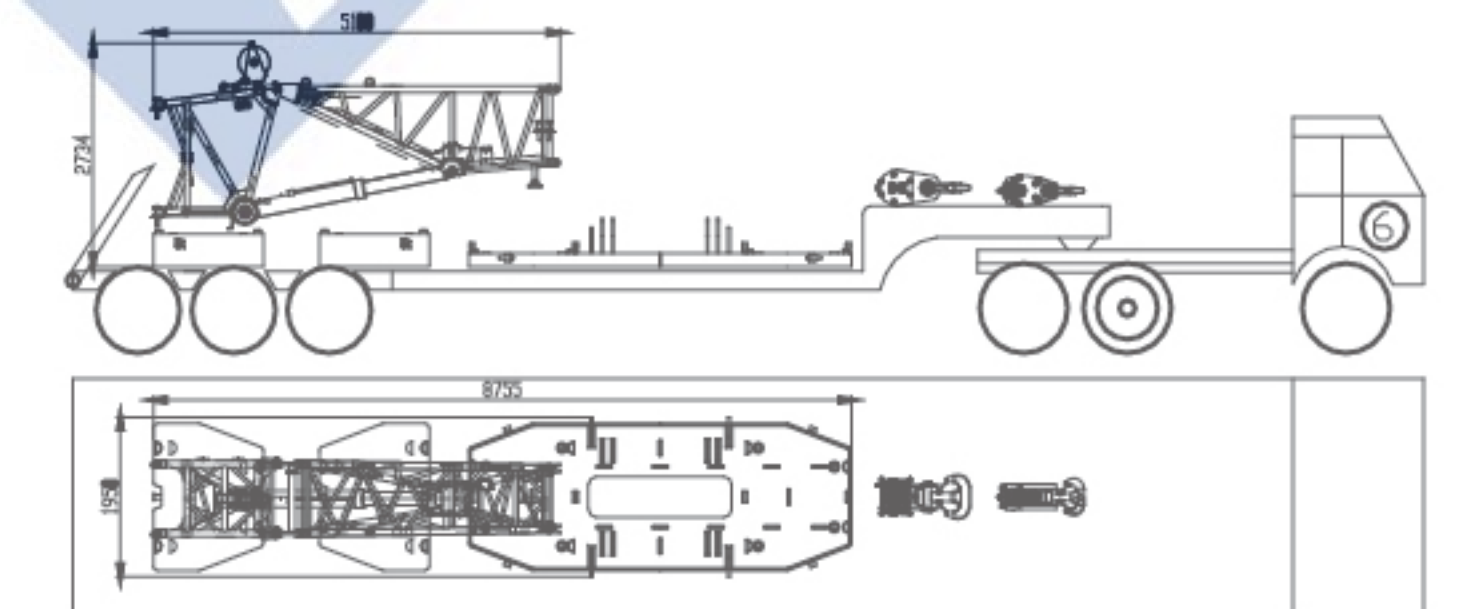
车辆4运输信息：
包含以下件：加长节I、加长节II×2、二节副臂总成、转台平衡重块（4块，共20t）。
总重：21.57t
运输尺寸：12.2×2.2×1.736m
Transport vehicle 4 information:
Include the following parts: Boom extension section I, boom extension section II×2, jib section 2 assembly, turntable counterweight (4 pieces, total of 20t).
Total weight: 21.57t
Transport dimension: 12.2×2.2×1.736m



车辆5运输信息：
包含以下件：主臂加长节、一节副臂总成、30t吊钩、12t吊钩、转台平衡重块（4块，共20t）。
总重：22.05t
运输尺寸：8.125×2.32×2.216m
Transport vehicle 5 information:
Include the following parts: boom extension section, jib section 1 assembly, 30t hook block, 12t hook block, turntable counterweight (4 pieces, total of 20t).
Total weight: 22.05t
Transport dimension: 8.125×2.32×2.216m



车辆6运输信息：
包含以下件：旋转架总成、160t吊钩、80t吊钩、平衡重托盘、转台平衡重块（2块，共10t）。
总重：20.6t
运输尺寸：8.75×1.95×2.734m
Transport vehicle 6 information:
Include the following parts: rotating frame assembly, 160t hook block, 80t hook block, counterweight tray, turntable counterweight (2 pieces, total of 10t).
Total weight: 20.6t
Transport dimension: 8.75×1.95×2.734m



车辆7运输信息：
包含以下件：主臂（全缩状态）、主副起升卷扬（含钢丝绳）、车架支腿组件（2件）
总重：28.5t
运输尺寸：13.897×1.95×2.7m
Transport vehicle 7 information:
Include the following parts: boom (fully retracted), main and auxiliary hoist winch (with wire rope), car-body outrigger group (2 pieces).
Total weight: 28.5t
Transport dimension: 13.897×1.95×2.7m

