

Grove Manitowoc National Crane Potain

MR. CRANE

OPERATED CRANES / RIGGING
ENGINEERING / SAFETY

800.672.7263

647 N. Hariton St., Orange, CA 92868

www.mrcrane.com



Maniowoc MLC300

Product Guide

ASME B30.5

Imperial

Preliminary



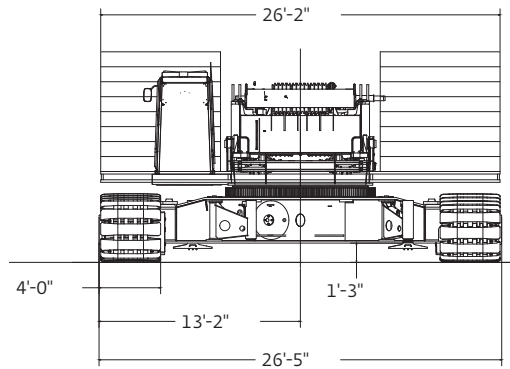
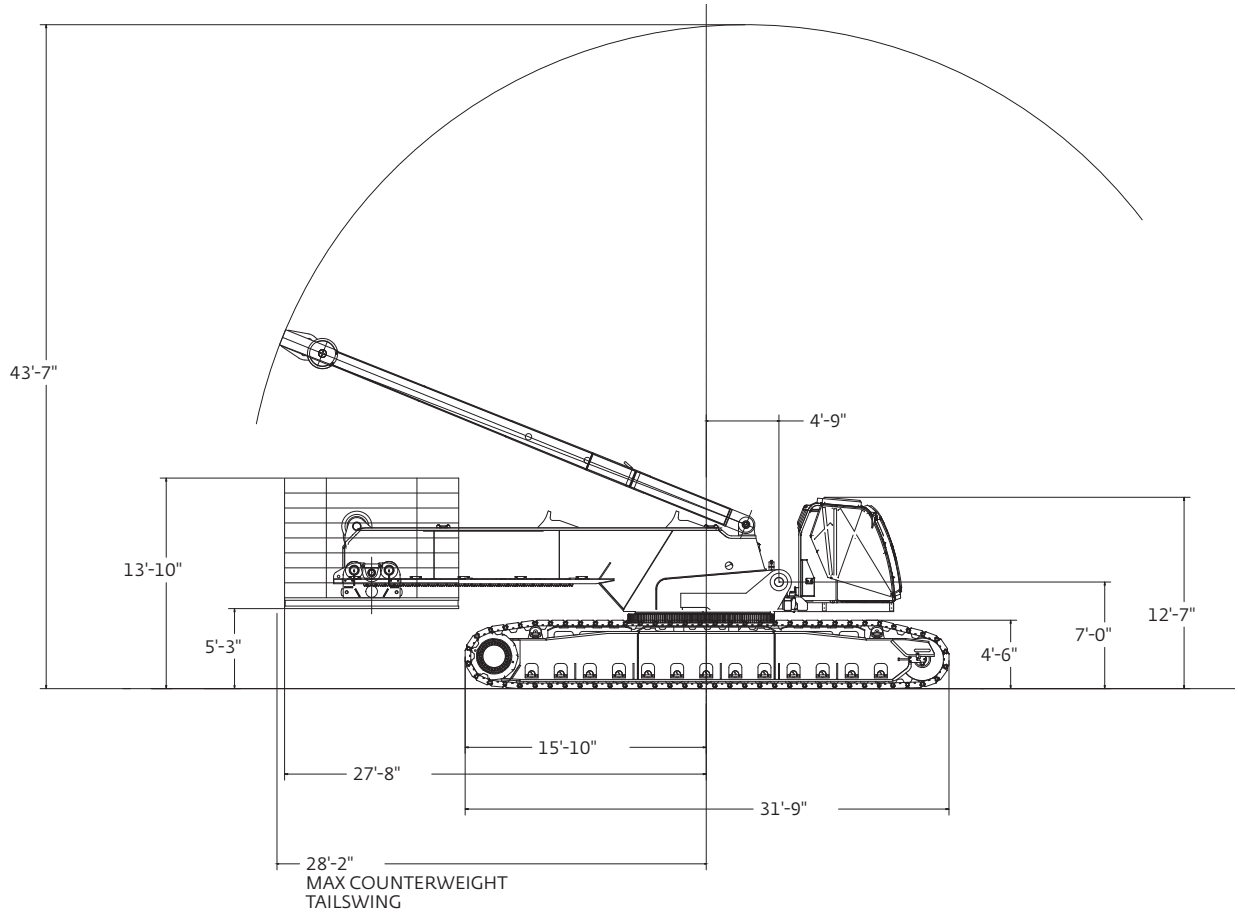
Features

- 330 USt capacity
- 14,410 ft-kips maximum load moment
- 29,790 ft-kips maximum load moment with VPC-MAX
- 315 ft No. 500 boom
- 98 ft No. 148 fixed jib on No. 500 boom
- 315 ft No. 501 luffing jib on No. 500 boom

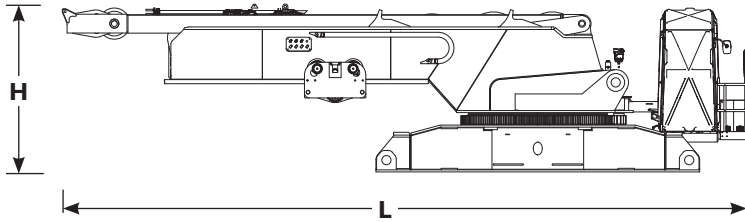
Contents

Specifications	6
Outline dimensions	9
Transport data	13
Assembly	14
Performance data	16
Boom combinations	18
Main boom range / load charts	20
Luffing jib range / load charts	22
VPC-MAX complete information	26
Manitowoc Crane Care	34

Outline dimensions



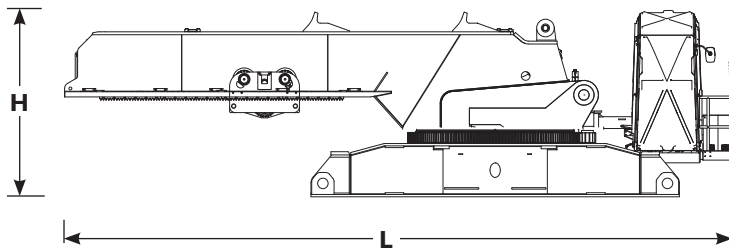
Outline dimensions



Rotating bed assembly

Length	44' 10"
Width	9' 11"
Height	10' 6"
Weight	118,470 lb

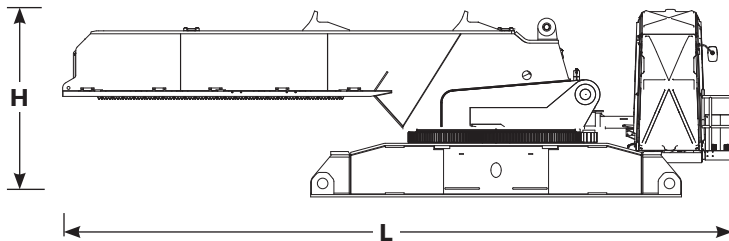
Note: includes live mast, boom hoist, carbody jacks.



Rotating bed assembly

Length	38' 1"
Width	9' 11"
Height	10' 6"
Weight	99,145 lb

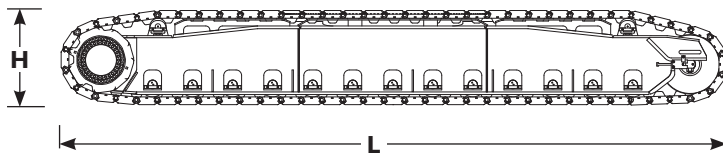
*Note: includes boom hoist, carbody jacks.
Note: excludes live mast, boom hoist*



Rotating bed assembly

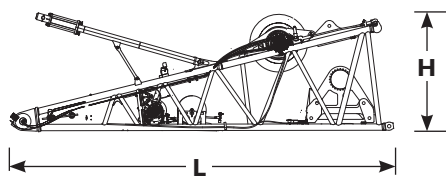
Length	38' 1"
Width	9' 11"
Height	10' 6"
Weight	93,845 lb

*Note: includes carbody jacks.
Note: excludes live mast, boom hoist and VPC trolley.*



Crawlers

Length	31' 9"
Width	4' 0"
Height	4' 5"
Weight	49,300 lb

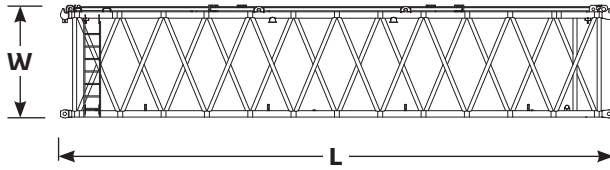


26' 3" No. 500 boom butt

Length	27' 6"
Width	9' 8"
Height	8' 4"
Weight	37,850 lb

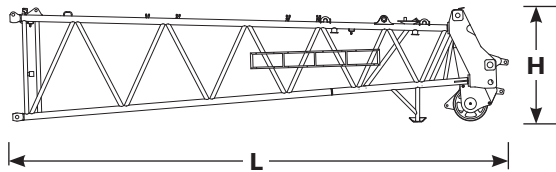
*Note: includes main hoist, luffing/auxiliary hoist,
rigging winch and spring boom stop.*

Outline dimensions



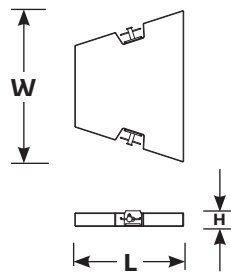
39' 4" No. 500 main boom heavy insert

Length	40' 0"
Width	9' 8"
Height	8' 2"
Weight	12,500 lb



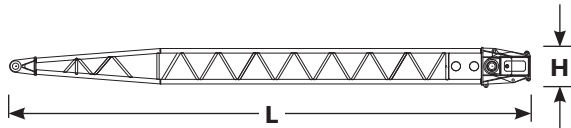
32' 9" No. 500 boom top

Length	36' 0"
Width	9' 8"
Height	8' 6"
Weight	21,010 lb



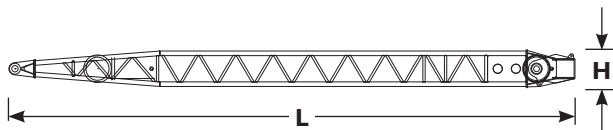
Counterweight box

Length	7' 10"
Width	10' 10"
Height	1' 2"
Weight	22,046 lb



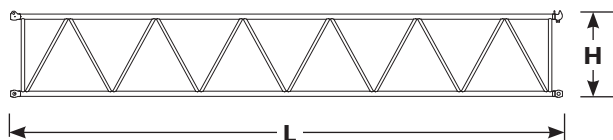
34' 5" No. 501 luffing jib main strut

Length	37' 8"
Width	7' 0"
Height	2' 10"
Weight	8,800 lb



37' 9" No. 501 luffing jib strut

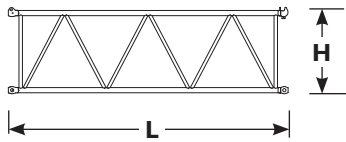
Length	40' 11"
Width	5' 9"
Height	2' 8"
Weight	8,100 lb



39' 4" No. 501 luffing jib insert

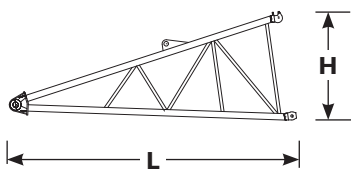
Length	39' 10"
Width	8' 7"
Height	6' 2"
Weight	5,790 lb

Outline dimensions



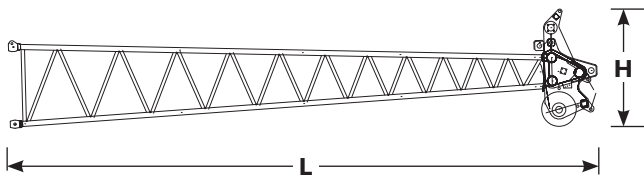
19' 8" No. 501 luffing jib insert

Length	20' 2"
Width	8' 7"
Height	6' 2"
Weight	3,450 lb



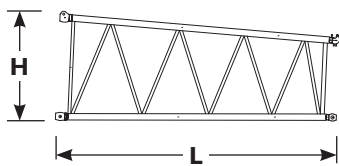
19' 8" No. 501 luffing jib butt

Length	20' 9"
Width	8' 7"
Height	7' 10"
Weight	5,000 lb



39' 4" No. 501 luffing jib top

Length	42' 6"
Width	8' 7"
Height	8' 7"
Weight	15,120 lb



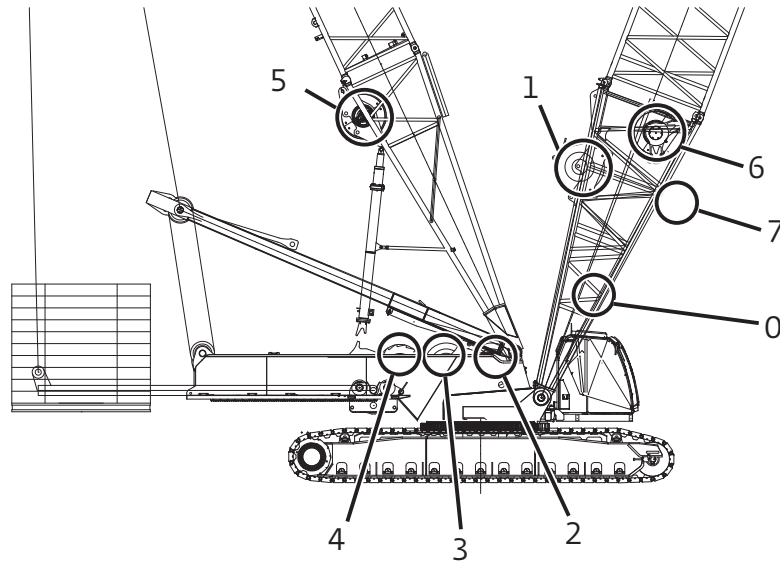
19' 8" No. 500-501 transition insert

Length	20' 6"
Width	8' 7"
Height	7' 10"
Weight	3,880 lb

Transport data

Load summary																		
Item	Qty	Weight lb	256 ft No. 500 heavy lift main boom + 40 ft No. 148 fixed jib Series 3 counterweight Quantity on trailer load # (Does not include blocking, strapping, etc.)															
			1	2	3	4	5	6	7	8	9	10	11	12	13	14	15	16
Upperworks module	1	99,200	1															
Crawler Assembly	2	49,500		1	1													
No. 500 Boom butt	1	37,850				1												
Counterweight tray	1	23,000					1											
Upper counterweight box	16	22,050					1		1	1	1	1	1	1	1	2	2	2
Mast shipping module	1	19,500						1										
VPC Actuator	1	5,900						1										
39' 4" No. 500 Insert w/sheaves	1	10,500							1									
39' 4" No. 500 Insert	4	10,000								1	1	1	1					
No. 500 Boom top	1	22,000												1				
No. 148 Fixed jib assembly	1	8,000													1			
220T Block	1	7,000								1								
100T Block	1	4,100									1							
Weight ball	1	1,500										1						
Misc. job box	2	2,000											1		1			
Approximate total shipping weight lb			99,200	48,480	49,500	49,500	37,850	45,050	25,400	39,050	36,150	33,550	34,050	44,050	32,050	44,100	44,100	44,100

Performance data



Drum identification	
Drum number	Function
1	Main hoist
2*	Auxiliary front hoist (optional)
3*	Auxiliary rear hoist (optional)
4	Mast hoist (standard)
5	Boom hoist (VPC-MAX)
6	Luffing/auxiliary hoist
7	Tagline winch (optional)
0	Rigging winch (optional)

**freefall optional*

Working weight	
	lb
98' No. 500 main boom	662,500
upper boom point,	
15 ton hook ball,	
300 ton hook block,	
380,000 lbs counterweight	
2 swing drives	

Performance data

No. 500 boom Hoist reeving for main load block single lead line - 28 mm wire rope

No. Parts of Line	Maximum Load lb
1	36,760
2	73,520
3	110,280
4	147,040
5	183,800
6	220,560
7	257,320
8	294,080
9	330,840
10	367,600
11	404,360
12	441,120
13	477,880
14	514,640
15	551,400
16	588,160
17	624,920
18	660,000

No. 500 boom Hoist reeving for drum #6 28 mm wire rope

No. Parts of Line	Maximum Load lb
1	30,000
2	60,000

Performance for aux/luffing (drum #6) 28 mm wire rope 30,000 maximum line pull

Single line pull lb	Single line pull/single line speed ft/min						
	Layer						
	1	2	3	4	5	6	7
0	240	259	278	297	316	335	354
5,000	236	254	273	291	309	327	345
10,000	232	249	267	284	302	319	336
15,000	228	245	261	278	294	296	298
20,000	221	223	225	227	229	232	234
25,000	182	184	186	189	191	193	195
30,000	156	158	161	163	165	167	169

Performance for main (drum #1) 28 mm wire rope 36,760 maximum line pull

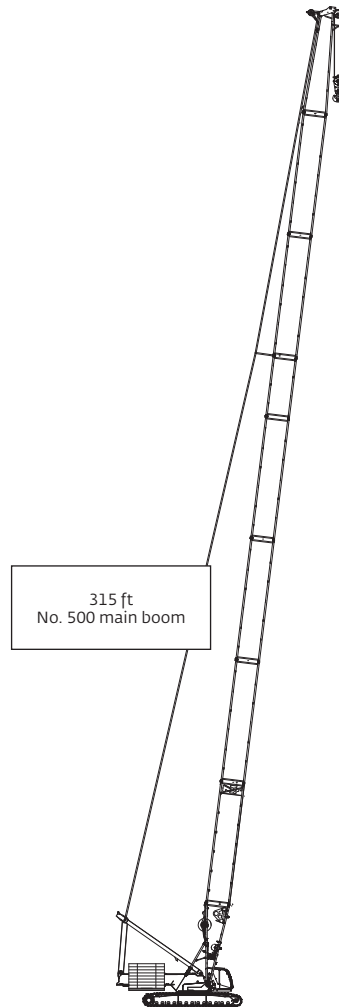
Single line pull lb	Single line pull/single line speed ft/min							
	Layer							
	1	2	3	4	5	6	7	8
0	345	372	400	427	454	482	509	536
5,000	339	366	392	404	444	470	496	522
10,000	334	359	384	409	434	459	484	508
15,000	328	352	376	385	387	389	391	393
20,000	291	293	295	297	299	301	303	305
25,000	238	240	242	244	246	248	250	252
36,760	170	172	174	176	178	180	182	184

Boom combinations

No. 500 main boom combinations				
Boom length ft	Main boom inserts ft			
	19.7 ^{**}	39.4	39.4 ^{**}	39.4 [*]
98.4	0	1	0	0
118.1	1	1	0	0
137.8	0	1	0	1
157.5	1	1	0	1
177.2	0	1	0	2
196.9	1	1	0	2
216.5	0	1	0	3
236.2	1	1	0	3
255.9	0	1	1	3
275.6	1	1	1	3
295.3	0	1	2	3
315	1	1	2	3

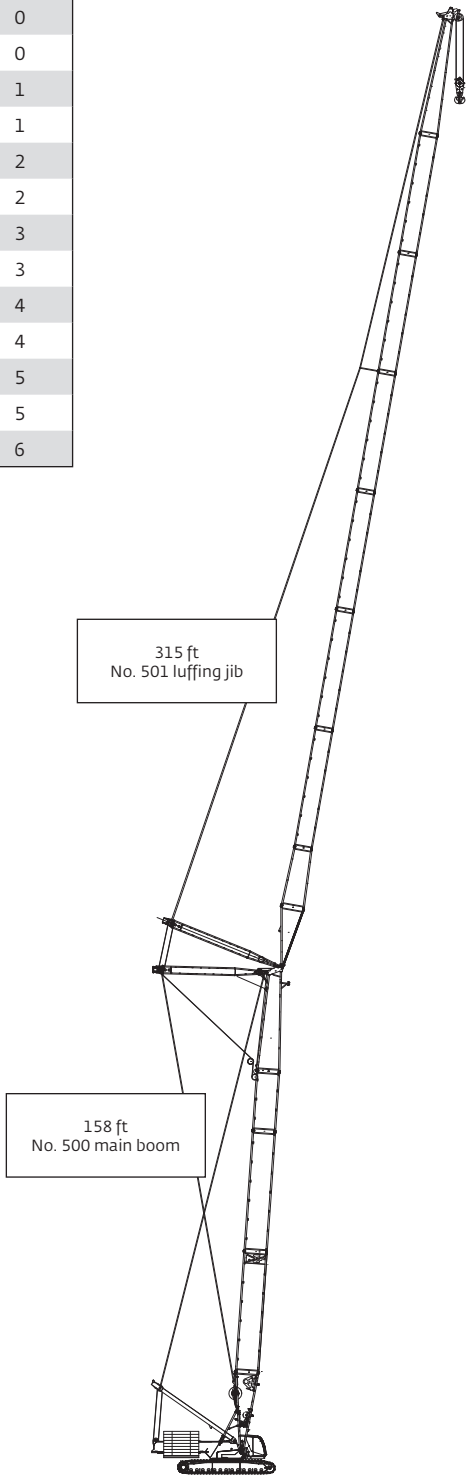
* Light inserts

** Medium inserts

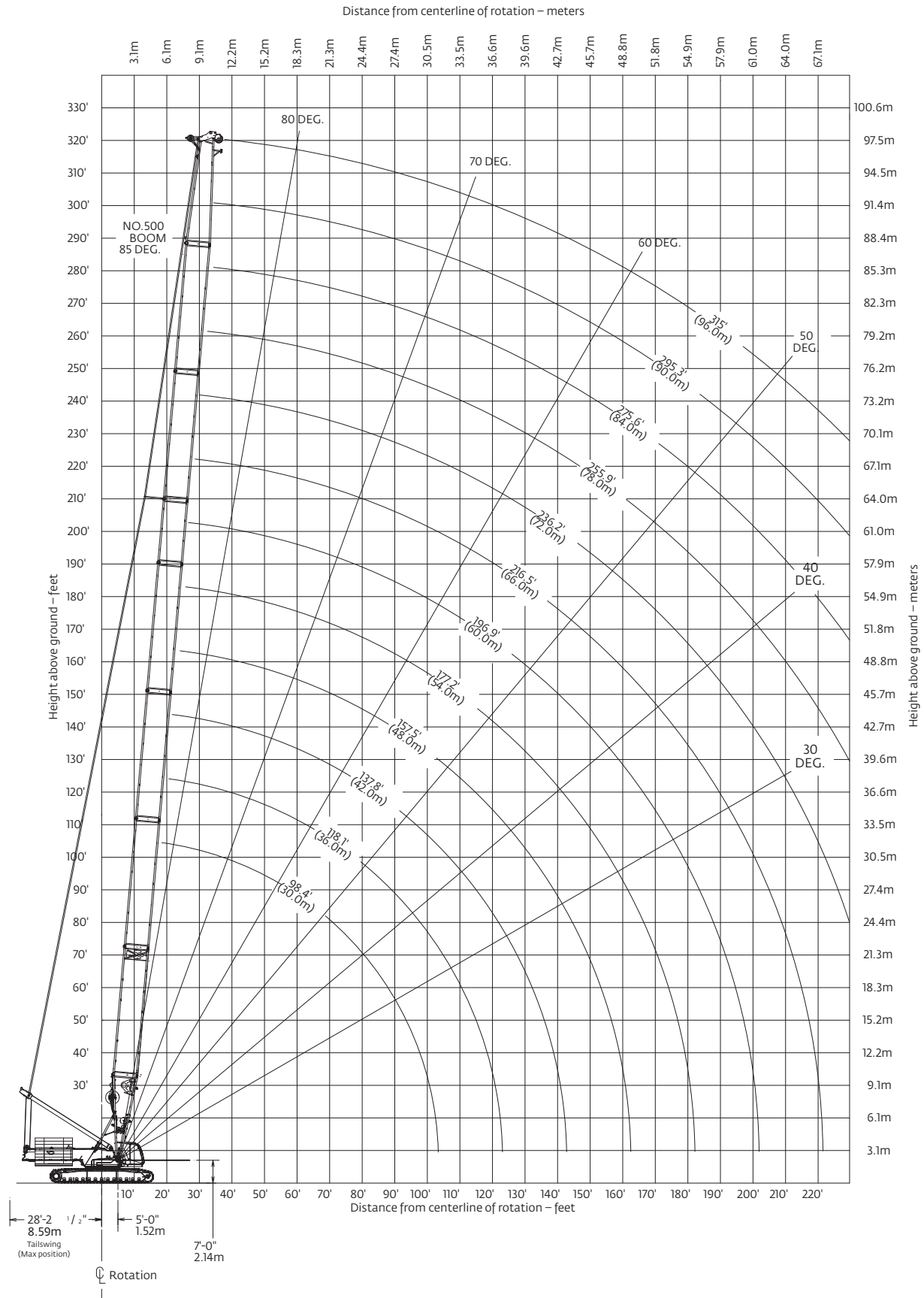


Boom combinations

No. 501 luffing jib combinations		
Luffing jib length ft	Luffing jib inserts ft	
	19.7	39.4
78.7	0	0
98.4	1	0
118.1	0	1
137.8	1	1
157.5	0	2
177.2	1	2
196.9	0	3
216.5	1	3
236.2	0	4
255.9	1	4
275.6	0	5
295.3	1	5
315	0	6



Main boom range diagram

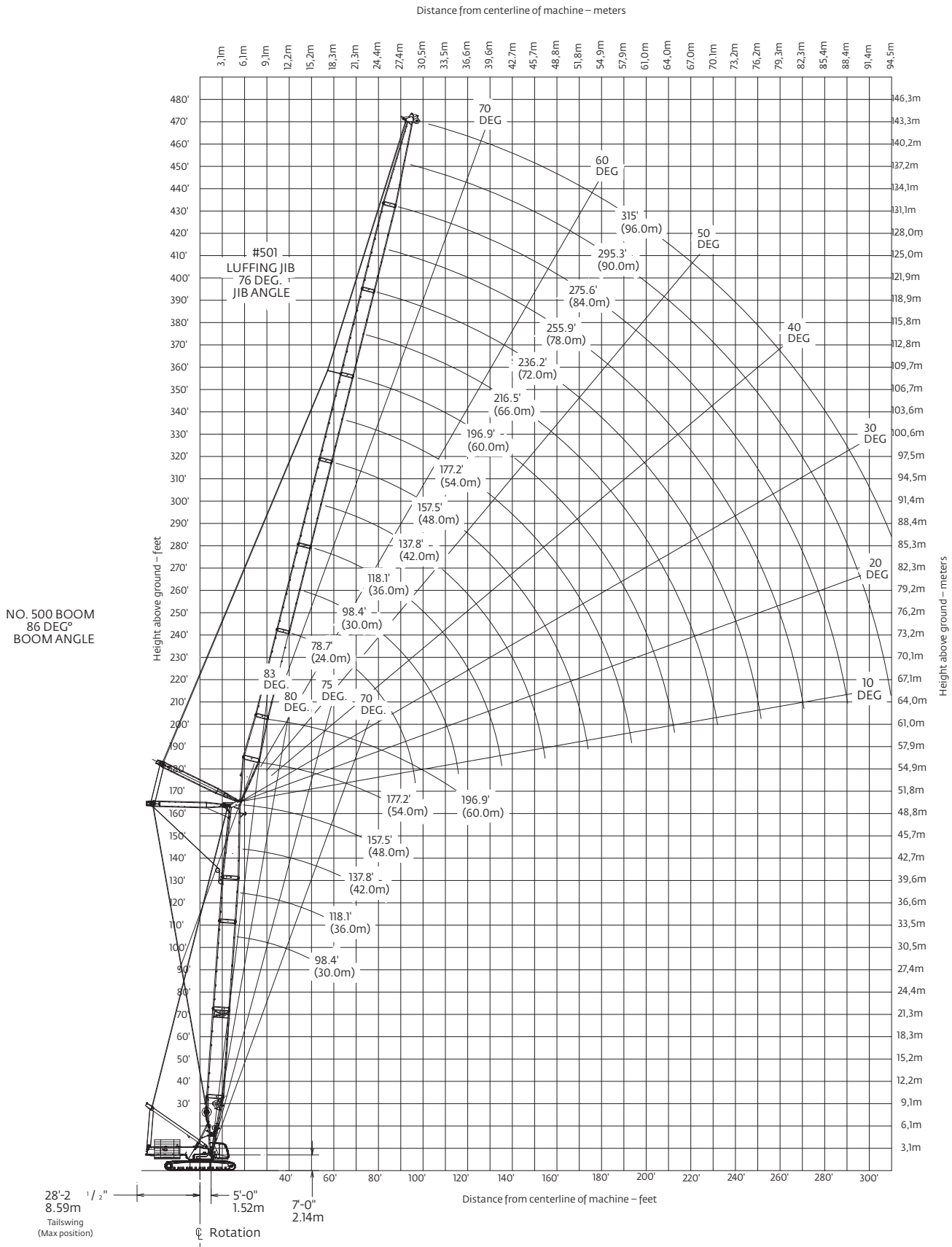


Main boom load charts

No. 500 boom												
380,000 lb counterweight												
360° Rating												
lb x 1000												
Radius ft	Boom length ft											
	98	118	138	157	177	197	217	236	256	276	295	315
17	661.3											
18	661.3											
19	661.3	620.0										
20	661.3	616.5										
21	661.3	613.2	565.3									
22	627.8	610.0	562.2	519.2								
24	587.1	573.3	556.2	513.9	471.5							
26	551.1	539.4	525.8	508.9	467.0	425.2						
28	519.2	509.0	497.3	484.2	463.0	421.7	376.4					
30	477.3	481.8	471.6	460.1	447.2	410.3	366.9	324.5				
32	430.1	434.8	437.9	438.2	426.8	398.9	357.7	319.3	264.5			
34	391.3	395.6	398.5	402.3	404.9	387.9	348.8	312.0	261.9	221.8	185.2	
36	358.9	362.8	365.5	369.1	371.5	374.8	340.0	304.7	259.3	219.4	183.3	158.2
38	331.3	335.0	337.5	340.8	343.1	346.2	331.5	297.7	256.6	217.2	181.4	156.6
40	307.6	311.1	313.4	316.5	318.6	321.5	323.1	290.8	254.0	214.9	179.5	155.0
45	260.6	263.7	265.8	268.5	270.3	272.8	274.4	274.0	247.8	209.5	174.9	151.1
50	225.9	228.7	230.5	232.9	234.5	236.7	238.1	240.2	240.2	204.3	170.4	147.3
55	199.1	201.6	203.4	205.5	206.9	208.9	210.2	212.0	212.0	199.4	163.6	143.6
60	177.9	180.2	181.8	183.7	185.0	186.8	188.0	189.6	189.6	191.1	156.8	140.0
65	160.6	162.8	164.3	166.0	167.2	168.8	169.9	171.4	171.4	172.8	150.6	136.6
70	146.3	148.3	149.7	151.3	152.5	153.9	154.9	156.3	156.3	157.6	144.8	133.3
75	134.2	136.1	137.5	139.0	140.0	141.4	142.3	143.6	143.6	144.7	139.4	130.2
80	123.9	125.7	127.0	128.4	129.4	130.7	131.5	132.7	132.7	133.8	134.3	127.2
85	114.9	116.7	117.9	119.3	120.2	121.4	122.2	123.3	123.3	124.3	124.8	124.2
90	107.2	108.9	110.0	111.3	112.2	113.3	114.1	115.1	115.2	116.1	116.5	115.6
95	100.3	102.0	103.1	104.3	105.2	106.2	106.9	107.9	107.9	108.3	108.0	106.4
100	94.2	95.8	96.9	98.1	98.9	99.9	100.6	101.5	101.5	100.1	99.8	98.2
105		90.4	91.4	92.5	93.3	94.3	94.9	95.8	94.5	92.8	92.5	90.9
110		85.4	86.5	87.6	88.3	89.2	89.8	89.5	87.9	86.3	85.9	84.3
115		81.0	82.0	83.0	83.8	84.6	85.1	83.5	82.0	80.3	80.0	78.3
120			77.9	79.0	79.7	80.2	79.7	78.1	76.6	74.9	74.6	72.9
125			74.2	75.2	75.9	75.2	74.8	73.2	71.7	70.0	69.7	68.0
130			70.8	71.8	72.1	70.7	70.2	68.6	67.2	65.5	65.2	63.5
135			67.7	68.1	67.9	66.6	66.1	64.5	63.1	61.4	61.1	59.4
140				64.2	64.1	62.7	62.2	60.6	59.3	57.6	57.3	55.5
145				60.6	60.5	59.2	58.7	57.1	55.8	54.0	53.7	52.0
150				57.3	57.2	55.9	55.4	53.7	52.5	50.8	50.4	48.7
155				54.1	54.1	52.8	52.3	50.7	49.4	47.7	47.4	45.7
160					51.2	49.9	49.4	47.8	46.6	44.8	44.5	42.8
165					48.5	47.2	46.7	45.1	43.9	42.2	41.9	40.1
170					45.9	44.6	44.2	42.6	41.4	39.7	39.4	37.6
175					43.4	42.3	41.8	40.2	39.1	37.3	37.0	35.3
180						40.0	39.6	38.0	36.9	35.1	34.8	33.1
185						37.8	37.5	35.9	34.8	33.0	32.8	31.0
190						35.8	35.5	33.9	32.8	31.1	30.8	29.0
195						33.8	33.5	32.0	31.0	29.2	28.9	27.2
200							31.7	30.2	29.2	27.4	27.2	25.4
205							30.0	28.4	27.5	25.8	25.5	23.7
210							28.3	26.8	25.9	24.2	23.9	22.1
215							26.7	25.2	24.4	22.6	22.4	20.6
220								23.8	22.9	21.2	20.9	19.2
225								22.3	21.5	19.8	19.6	17.8
230								20.9	20.2	18.5	18.2	16.5
235									18.9	17.2	17.0	15.2
240									17.7	16.0	15.8	14.0
245									16.5	14.8	14.6	12.8
250									15.4	13.7	13.5	11.7
255										12.6	12.4	10.7
260										11.6	11.4	
265										10.6	10.4	

For complete chart, refer to www.cranelibrary.com.

Luffing jib range diagram



Luffing jib load charts

No. 501 luffing jib on No. 500 boom

380,000 lb counterweight

360° Rating

lb x 1000

86° boom angle

98 ft boom length					
Radius ft	Luffing jib length ft				
	79	138	197	256	295
38	319.1				
40	298.8				
45	271.7				
50	248.7				
55	225.2	192.7			
60	201.9	183.4			
65	183.0	174.6			
70	167.3	166.2	123.4		
75	154.0	156.0	120.8		
80	142.8	144.5	118.3		
85	133.0	134.7	116.0	71.8	
90	118.2	126.0	113.7	70.8	
95		118.4	111.6	69.8	49.1
100		111.7	109.0	68.8	48.3
105		105.7	104.1	67.8	47.4
110		100.3	99.7	66.8	46.6
115		95.4	95.4	65.8	45.8
120		90.9	91.5	64.9	45.0
125		86.9	87.7	63.9	44.2
130		83.2	84.0	63.1	43.5
135		79.8	80.5	62.1	42.7
140		76.3	77.2	61.2	42.0
145		66.2	73.6	60.4	41.3
150		54.7	70.3	59.5	40.7
155			67.2	58.7	40.0
160			64.3	57.9	39.4
165			61.6	57.2	38.8
170			59.1	55.8	38.2
175			56.7	53.5	37.7
180			54.4	51.2	37.1
185			52.3	49.1	36.6
190			49.4	47.1	36.1
195			44.4	45.2	35.6
200			39.3	43.4	35.2
205			33.9	41.7	34.6
210			27.1	40.1	34.0
215				38.6	33.4
220				37.1	32.8
225				35.7	32.3
230				34.4	31.7
235				33.1	31.0
240				31.2	29.8
245				28.2	28.6
250				25.2	27.5
255				22.1	26.4
260				19.0	25.4
265				15.4	24.4
270				10.2	23.4
275					21.2
280					18.9
285					16.6
290					14.3
295					12.0

138 ft boom length					
Radius ft	Luffing jib length ft				
	79	138	197	256	295
40	298.2				
45	280.2				
50	257.9				
55	228.2				
60	204.7	180.2			
65	185.5	172.5			
70	169.6	165.2			
75	156.2	158.0	113.2		
80	144.7	146.5	112.4		
85	134.8	136.5	111.6		
90	126.2	127.7	110.2	65.5	
95	118.6	120.0	108.3	64.8	
100		113.2	106.4	64.0	45.6
105		107.1	104.6	63.3	45.0
110		101.6	102.6	62.6	44.3
115		96.7	97.6	61.9	43.7
120		92.2	93.1	61.1	43.0
125		88.1	88.9	60.4	42.4
130		84.3	84.6	59.7	41.8
135		80.9	80.4	59.0	41.1
140		77.7	76.6	58.4	40.5
145		74.7	73.1	57.7	39.9
150		71.0	69.8	57.0	39.4
155			66.7	56.4	38.8
160			63.8	55.8	38.3
165			61.1	55.2	37.7
170			58.6	54.6	37.2
175			56.2	52.9	36.7
180			54.0	50.7	36.2
185			51.9	48.6	35.8
190			49.8	46.6	35.3
195			47.9	44.8	34.9
200			46.1	43.0	34.5
205			43.1	41.3	34.0
210			39.4	39.7	33.6
215				38.2	33.3
220				36.7	32.8
225				35.3	32.3
230				34.0	31.8
235				32.7	30.6
240				31.5	29.4
245				30.3	28.2
250				29.2	27.1
255				27.6	26.1
260				25.5	25.0
265				23.3	24.0
270				19.8	23.1
275					22.2
280					21.3
285					20.2
290					18.7
295					17.2

For complete chart, refer to www.cranelibrary.com.

Luffing jib load charts

No. 501 luffing jib on No. 500 boom

380,000 lb counterweight

360° Rating

lb x 1000

86° boom angle

157 ft boom length					
Radius ft	Luffing jib length ft				
	79	138	197	256	295
45	268.2				
50	251.2				
55	229.8				
60	206.3	176.9			
65	187.0	170.0			
70	170.9	163.2			
75	157.4	156.6	104.9		
80	145.9	147.6	104.2		
85	135.9	137.5	103.5		
90	127.2	128.7	102.8	62.2	
95	119.5	121.0	102.0	61.7	
100		114.1	101.2	61.1	43.9
105		107.9	100.3	60.4	43.3
110		102.4	99.5	59.8	43.3
115		97.4	97.3	59.2	42.2
120		92.9	92.7	58.6	41.6
125		88.8	88.4	58.0	41.1
130		85.0	84.2	57.4	40.5
135		81.5	80.1	56.8	40.0
140		78.3	76.2	56.2	39.4
145		75.3	72.7	55.6	38.9
150		70.2	69.4	55.0	38.4
155		63.3	66.3	54.4	37.9
160			63.5	53.9	37.4
165			60.8	53.4	36.9
170			58.3	52.8	36.4
175			55.9	52.3	36.0
180			53.7	50.4	35.5
185			51.6	48.3	35.1
190			49.6	46.3	34.6
195			47.7	44.5	34.2
200			45.3	42.7	33.8
205			42.1	41.0	33.5
210			38.8	39.4	33.1
215			34.6	37.9	32.7
220				36.5	32.4
225				35.1	32.1
230				33.8	31.6
235				32.5	30.3
240				31.3	29.1
245				30.1	28.0
250				28.3	26.9
255				26.4	25.8
260				24.5	24.8
265				22.5	23.8
270					22.9
275					21.9
280					20.5
285					19.1
290					17.7
295					16.2
290					14.3
295					11.9

For complete chart, refer to www.cranelibrary.com.

Luffing jib load charts

No. 501 luffing jib on No. 500 boom

380,000 lb counterweight

360° Rating

lb x 1000

86° boom angle

197 ft boom length					
Radius ft	Luffing jib length ft				
	79	118	157	177	197
45	218.8				
50	210.3				
55	198.0	160.6			
60	186.3	158.2			
65	175.4	155.3	118.3		
70	164.4	151.6	117.2	101.7	
75	153.0	144.4	115.9	101.0	87.4
80	143.4	137.6	114.4	100.0	86.8
85	135.5	129.1	112.9	99.0	86.1
90	128.9	121.5	111.2	97.9	85.3
95	121.1	114.8	109.1	96.7	84.5
100		108.9	104.8	95.5	83.7
105		103.7	100.3	94.3	82.8
110		99.2	95.5	92.6	81.9
115		95.2	91.1	89.2	81.0
120		91.8	87.1	85.5	80.1
125		89.0	83.5	81.9	78.9
130		85.7	80.2	78.6	76.2
135		80.1	77.3	75.6	73.6
140			74.6	72.8	71.1
145			72.3	70.3	68.6
150			70.2	68.0	66.3
155			67.6	65.9	64.0
160			64.8	63.7	61.7
165			61.7	61.0	59.6
170			57.4	58.5	57.5
175			52.8	56.1	55.2
180				53.9	53.0
185				50.7	50.9
190				47.1	49.0
195				43.3	47.1
200					44.4
205					41.6
210					38.6
215					35.4

For complete chart, refer to www.cranelibrary.com.

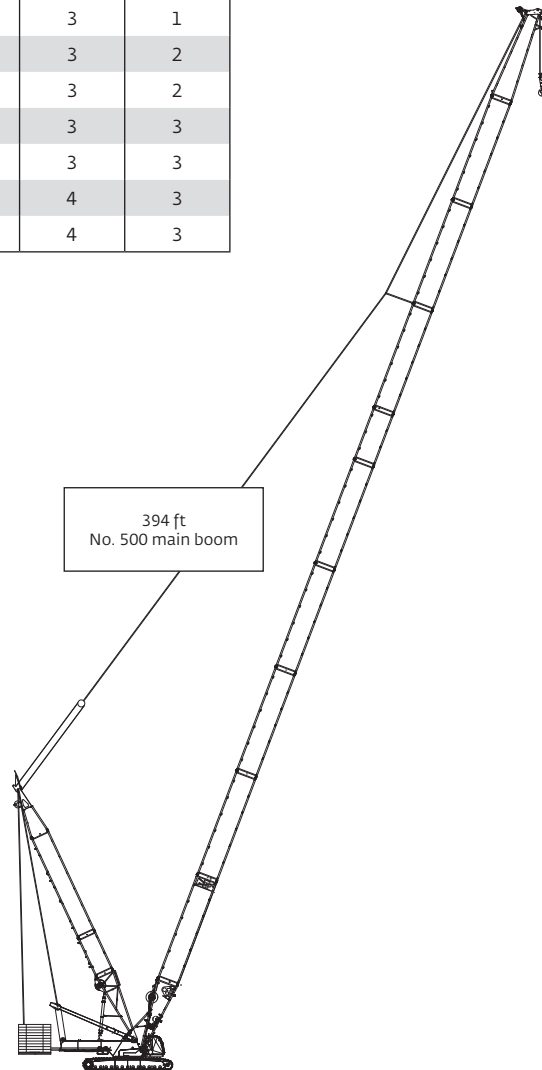
Boom combinations

VPC-MAX

No. 500 VPC-MAX main boom combinations				
Boom length ft	Main boom inserts ft			
	19.7**	39.4	39.4**	39.4*
137.8	0	1	1	0
157.5	1	1	1	0
177.2	0	1	2	0
196.9	1	1	2	0
216.5	0	1	3	0
236.2	1	1	3	0
255.9	0	1	3	1
275.6	1	1	3	1
295.3	0	1	3	2
315	1	1	3	2
334.6	0	1	3	3
354.3	1	1	3	3
374	0	1	4	3
393.7	1	1	4	3

* Light inserts

** Medium inserts

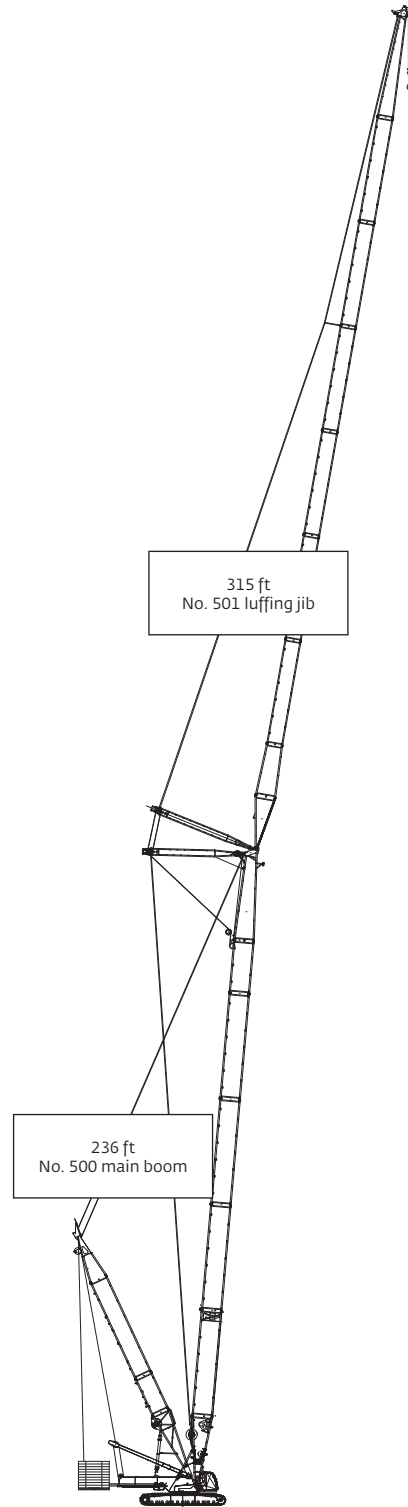


Boom combinations

VPC-MAX

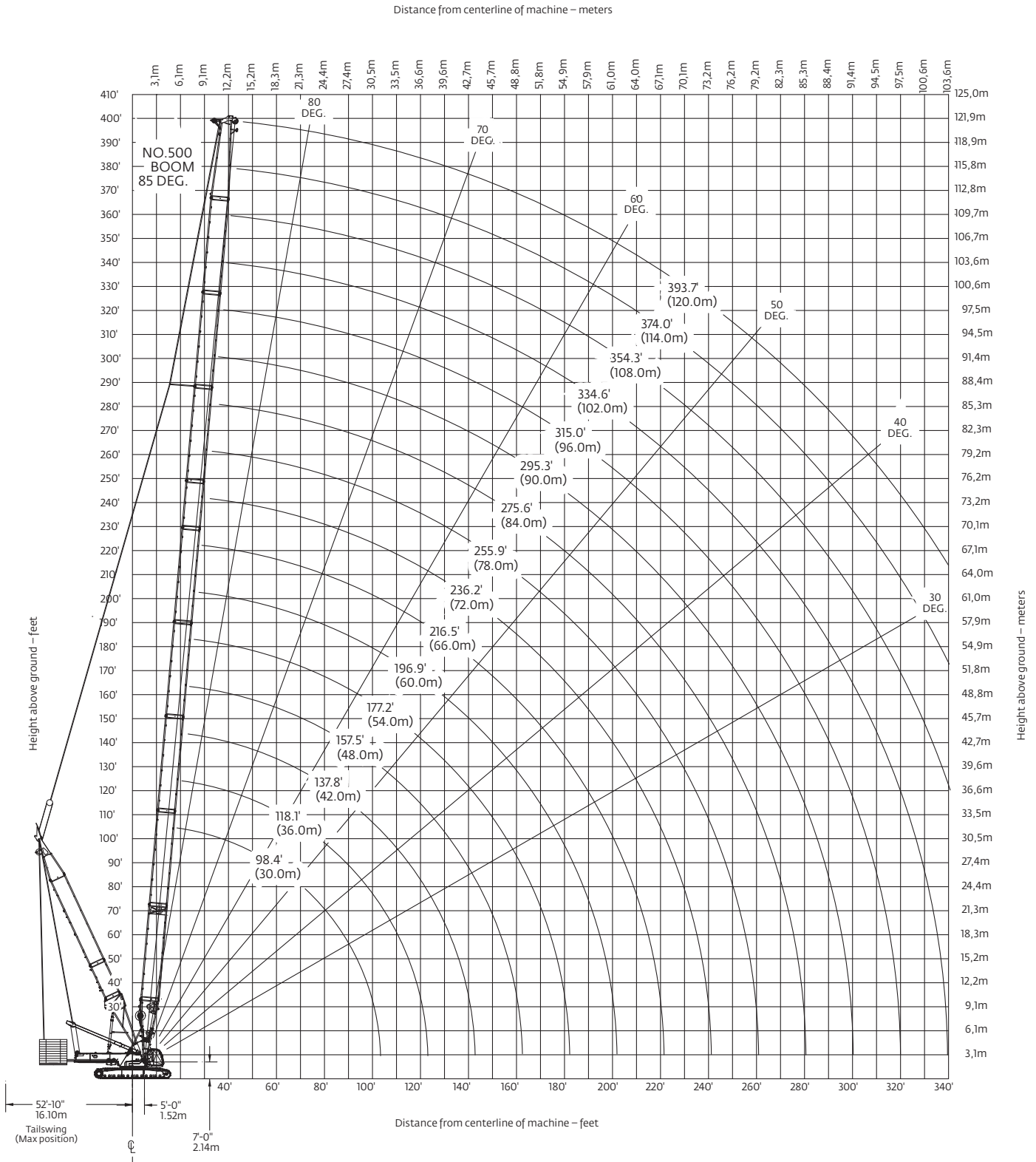
No. 501 VPC-MAX luffing jib combinations

Luffing jib length ft	Luffing jib inserts ft	
	19.7	39.4
78.7	0	0
98.4	1	0
118.1	0	1
137.8	1	1
157.5	0	2
177.2	1	2
196.9	0	3
216.5	1	3
236.2	0	4
255.9	1	4
275.6	0	5
295.3	1	5
315.0	0	6



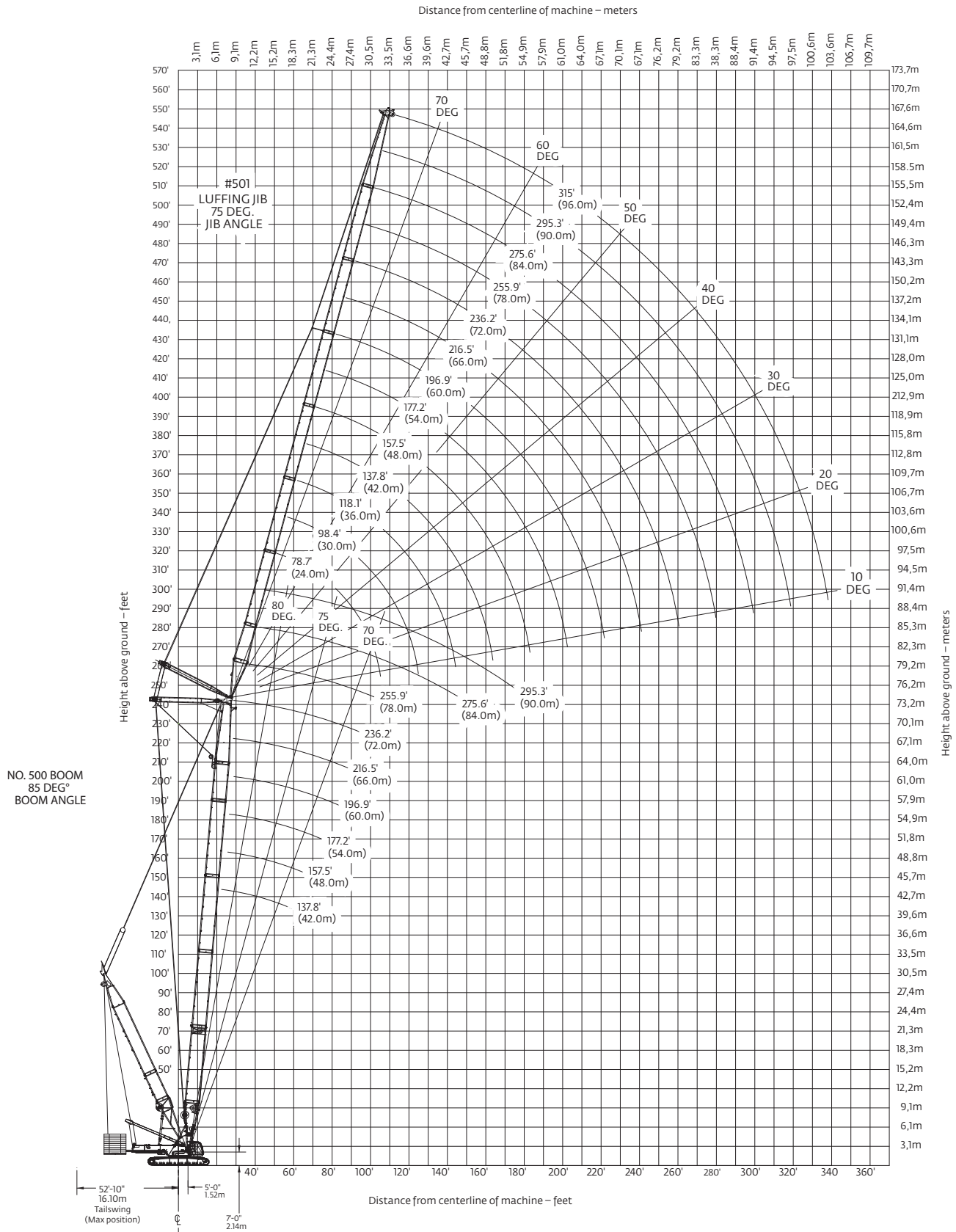
Main boom range diagram

VPC-MAX



Luffing jib range diagram

VPC-MAX



Luffing jib load charts

VPC-MAX

No. 501 luffing jib on No. 500 boom VPC-MAX

468,000 lb counterweight

360° Rating

lb x 1000

85° boom angle

138 ft boom length					
Radius ft	Luffing jib length ft				
	79	138	197	236	315
45	321.3				
50	293.7				
55	258.0				
60	230.5	187.8			
65	208.7	179.9			
70	190.9	172.1			
75	176.3	164.5	117.6		
80	164.3	157.3	116.9		
85	154.6	149.5	114.9	80.9	
90	147.0	141.8	112.8	80.2	
95	140.7	134.5	110.9	79.6	
100		127.7	108.9	78.9	
105		120.6	107.1	78.2	38.6
110		114.2	105.2	77.5	38.0
115		108.6	103.1	76.8	37.4
120		103.6	101.1	76.0	36.7
125		99.2	99.2	75.3	36.1
130		95.1	95.5	74.6	35.5
135		90.8	91.1	73.9	34.9
140		86.7	87.2	73.2	34.3
145		83.0	83.6	72.6	33.7
150		79.4	80.3	71.9	33.2
155		67.1	77.3	71.2	32.6
160			74.6	70.4	32.1
165			72.1	69.2	31.5
170			69.9	68.0	31.0
175			67.8	66.2	30.5
180			66.0	64.5	30.0
185			64.3	62.7	29.6
190			62.6	60.5	29.1
195			60.1	58.0	28.7
200			57.7	55.7	28.2
205			51.2	53.5	27.8
210			44.2	51.4	27.4
215			35.4	49.4	27.0
220				47.5	26.7
225				45.2	26.3
230				43.9	26.0
235				42.2	25.7
240				39.0	25.3
245				34.3	25.0
250				29.1	24.7
255				21.9	24.3
260					23.9
265					23.5
270					23.1
275					22.7
280					22.4
285					22.0
290					21.7
295					20.9
300					20.9

177 ft boom length					
Radius ft	Luffing jib length ft				
	79	138	197	236	315
50	259.6				
55	235.8				
60	211.0				
65	191.2	164.6			
70	175.2	158.7			
75	161.9	152.6			
80	150.9	146.7	97.3		
85	141.9	140.5	97.0		
90	134.7	130.9	96.8	68.7	
95	129.4	122.6	96.4	68.4	
100	127.5	115.4	95.9	68.0	
105		109.0	95.4	67.6	
110		103.4	95.0	67.1	34.0
115		98.4	94.5	66.7	33.6
120		94.0	93.1	66.3	33.1
125		90.1	88.6	65.8	32.6
130		86.7	84.5	65.3	32.3
135		83.7	80.8	64.7	31.8
140		81.3	77.5	64.3	31.3
145		79.2	74.4	63.8	30.8
150		77.3	71.6	63.3	30.4
155		74.1	69.0	62.8	30.0
160		63.7	66.7	62.5	29.6
165			64.6	62.0	29.1
170			62.7	60.6	28.7
175			60.8	58.9	28.3
180			59.3	57.0	27.9
185			57.8	55.3	27.5
190			56.6	53.7	27.1
195			55.5	52.2	26.7
200			54.7	50.7	26.4
205			54.0	49.2	26.0
210			50.9	47.7	25.6
215			44.4	46.4	25.3
220				45.2	24.9
225				43.9	24.7
230				42.9	24.4
235				41.2	24.0
240				39.6	23.7
245				37.6	23.4
250				34.3	23.2
255				29.7	22.9
260					22.7
265					22.3
270					21.9
275					21.5
280					21.2
285					20.9
290					20.6
295					20.3
300					20.0
305					19.5

For complete chart, refer to www.cranelibrary.com.

Luffing jib load charts

VPC-MAX

No. 501 luffing jib on No. 500 boom VPC-MAX

468,000 lb counterweight

360° Rating

lb x 1000

85° boom angle

217 ft boom length					
Radius ft	Luffing jib length ft				
	79	138	197	236	315
50	206.6				
55	205.3				
60	198.2				
65	180.2	129.5			
70	165.5	129.4			
75	153.2	128.9			
80	142.9	127.9	81.9		
85	134.4	126.8	81.8		
90	127.3	121.3	81.7	60.2	
95	121.8	113.9	81.5	60.0	
100	118.2	107.5	81.1	59.8	
105		101.8	80.7	59.5	
110		96.8	80.2	59.2	
115		92.2	79.8	58.9	30.8
120		88.2	79.2	58.6	30.5
125		84.6	78.6	58.2	30.3
130		81.5	76.6	57.8	30.0
135		78.7	74.1	57.4	29.6
140		76.3	71.2	57.0	29.3
145		74.3	68.4	56.6	28.9
150		72.8	66.0	56.2	28.6
155		71.9	63.8	55.8	28.3
160		71.9	61.7	54.5	27.9
165			59.8	53.0	27.6
170			58.0	51.4	27.2
175			56.4	50.0	26.9
180			54.9	48.6	26.6
185			53.2	47.2	26.3
190			51.5	45.8	26.0
195			50.0	44.5	25.6
200			48.8	43.2	25.3
205			47.6	41.9	25.0
210			46.7	40.8	24.7
215			46.1	39.7	24.5
220			45.0	38.6	24.2
225				37.7	23.9
230				36.7	23.6
235				36.0	23.3
240				35.2	23.1
245				34.6	22.8
250				34.2	22.6
255				33.7	22.4
260				30.2	22.2
265					22.0
270					21.8
275					21.4
280					21.0
285					20.8
290					20.4
295					20.0
300					19.6
305					19.2
310					19.0

For complete chart, refer to www.cranelibrary.com.

Luffing jib load charts

VPC-MAX

No. 501 luffing jib on No. 500 boom VPC-MAX

468,000 lb counterweight

360° Rating

lb x 1000

85° boom angle

276 ft boom length					
Radius ft	Luffing jib length ft				
	79	138	177	217	256
55	125.1				
60	121.3				
65	116.8				
70	111.9	82.1			
75	106.7	80.0			
80	101.6	77.8	62.6		
85	96.6	75.2	61.3		
90	91.8	72.5	59.8	47.6	
95	87.5	69.7	58.2	46.8	
100	83.7	66.9	56.5	45.8	
105	80.8	64.2	54.7	44.8	35.3
110		61.3	52.9	43.7	34.6
115		58.7	51.0	42.5	34.0
120		56.1	49.1	41.3	33.3
125		53.5	47.3	40.0	32.5
130		51.3	45.4	38.8	31.8
135		49.0	43.7	37.6	30.9
140		46.9	41.8	36.3	30.1
145		45.0	40.1	35.0	29.3
150		43.3	38.5	33.8	28.5
155		41.8	37.0	32.6	27.6
160		40.6	35.6	31.4	26.7
165		39.9	34.2	30.3	25.9
170			32.8	29.1	25.0
175			31.6	28.1	24.3
180			30.5	27.0	23.4
185			29.5	26.0	22.7
190			28.6	25.0	21.9
195			27.9	24.2	21.1
200			27.3	23.3	20.4
205			27.0	22.6	19.7
210				21.8	19.0
215				21.0	18.4
220				20.5	17.7
225				19.9	17.1
230				19.4	16.6
235				19.0	16.0
240				18.8	15.5
245				18.8	15.1
250					14.6
255					14.2
260					13.8
265					13.5
270					13.3
275					13.1

For complete chart, refer to www.cranelibrary.com.