

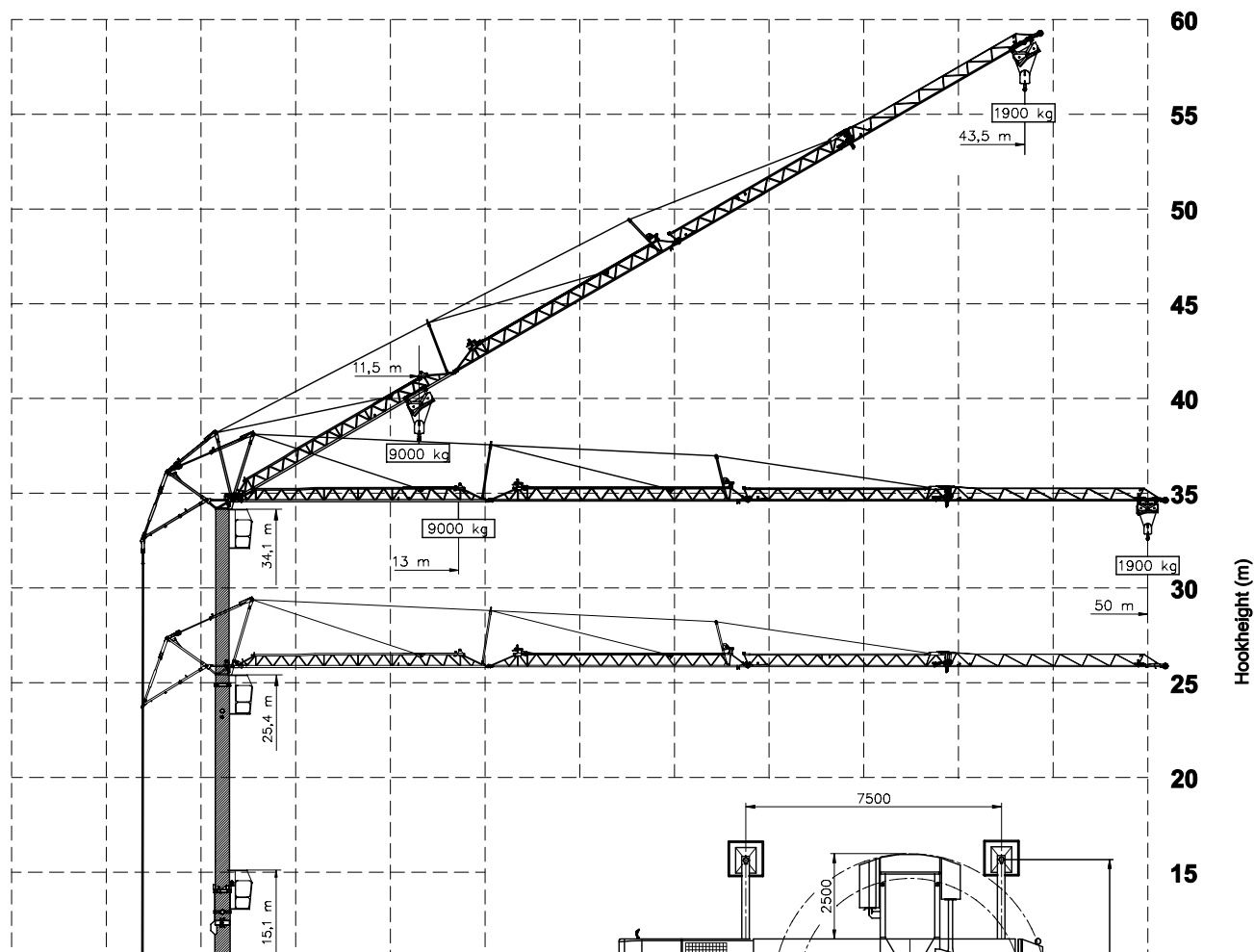
SPIERINGS HYDRAULIC FOLDING CRANE SK599-AT5

Erection procedure of the crane

- Max. outrigger force : 440 kN
- Outrigger support pads : 750x600 mm
- Ground pressure : 1,00 N/mm²
- Jib can be unfolded through 360°
- Luffing the jib 30° can be controlled from the crane cab or remote control
- Outrigger support plates : 1000x1000 mm
- surface : 1,00 m²
- Ground pressure : 0,44 N/mm²

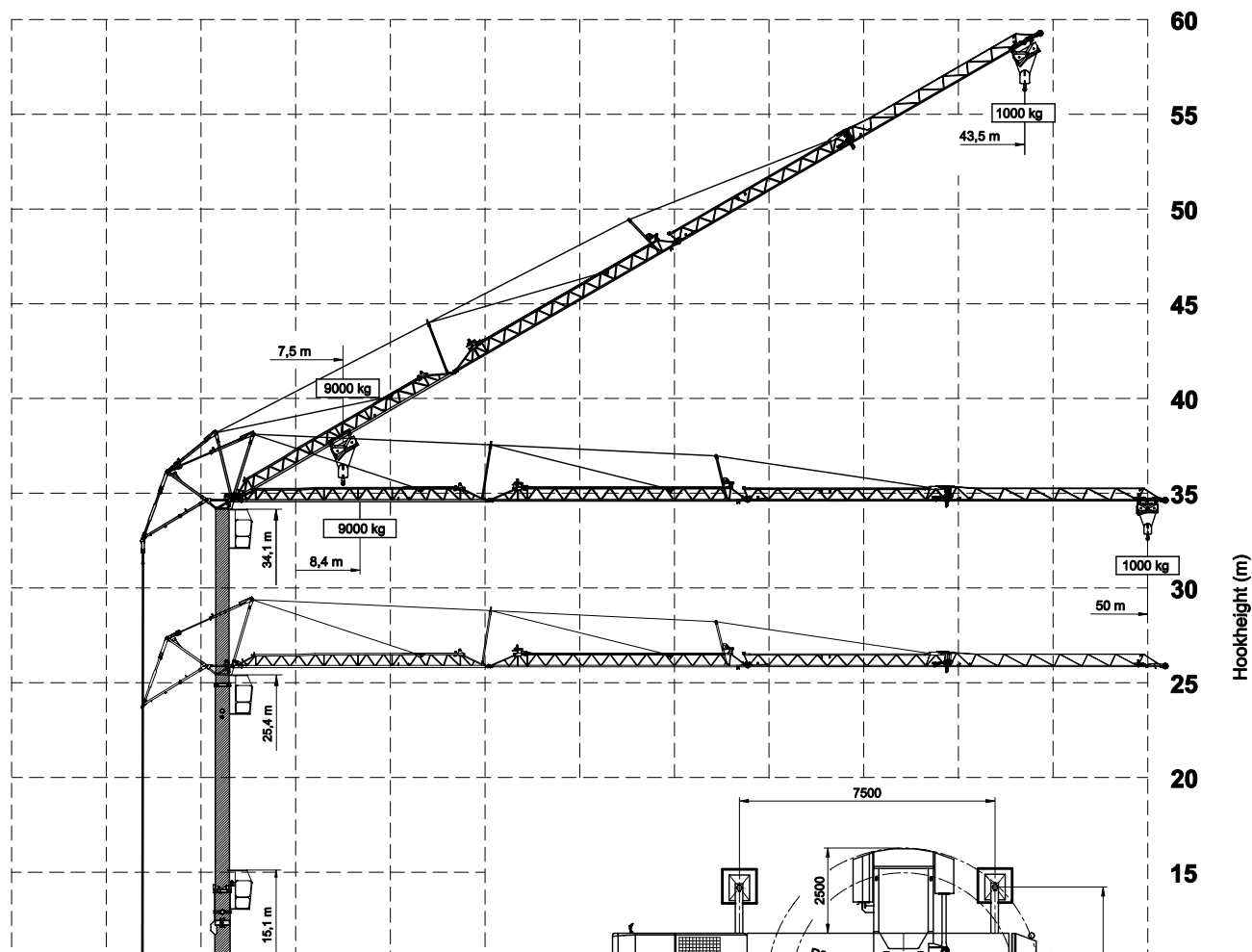
Hookheight (m)

60
55
50
45
40
35
30
25
20
15



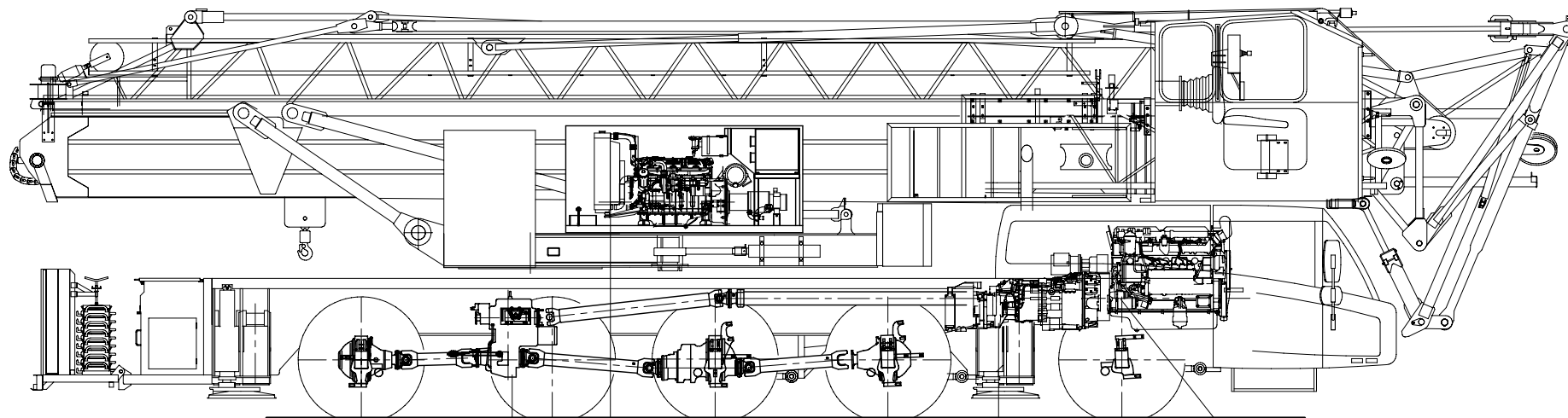
SPIERINGS HYDRAULIC FOLDING CRANE SK599-AT5

Hoisting Specifications
Outrigger support base
7,50 m x 7,66 m



SPIERINGS HYDRAULIC FOLDING CRANE SK599-AT5

Hoisting Specifications
Outrigger support base
7,50 m x 5,72 m



Axle 5	Axle 4	Axle 3	Axle 2	Axle 1		
Transfer box: STEYR VG2001/396 Road gear $i=0,89$ Off road gear $i=1,54$		Crane diesel engine: John Deere 4045HF475 Power: 129 kW (2200 rpm) Torque: 700 Nm (1400 rpm)		Gearbox: ZF 16AS2601 Automatic Dry plate clutch + retarder		Carrier diesel engine: Euro IV DAF: MX 375 (12,9 ltr) Power: 375 kW (1900 rpm) Torque: 2500 Nm (1000-1410 rpm)

Axle 1 : Steer axle

Axle 2 : Steer drive axle

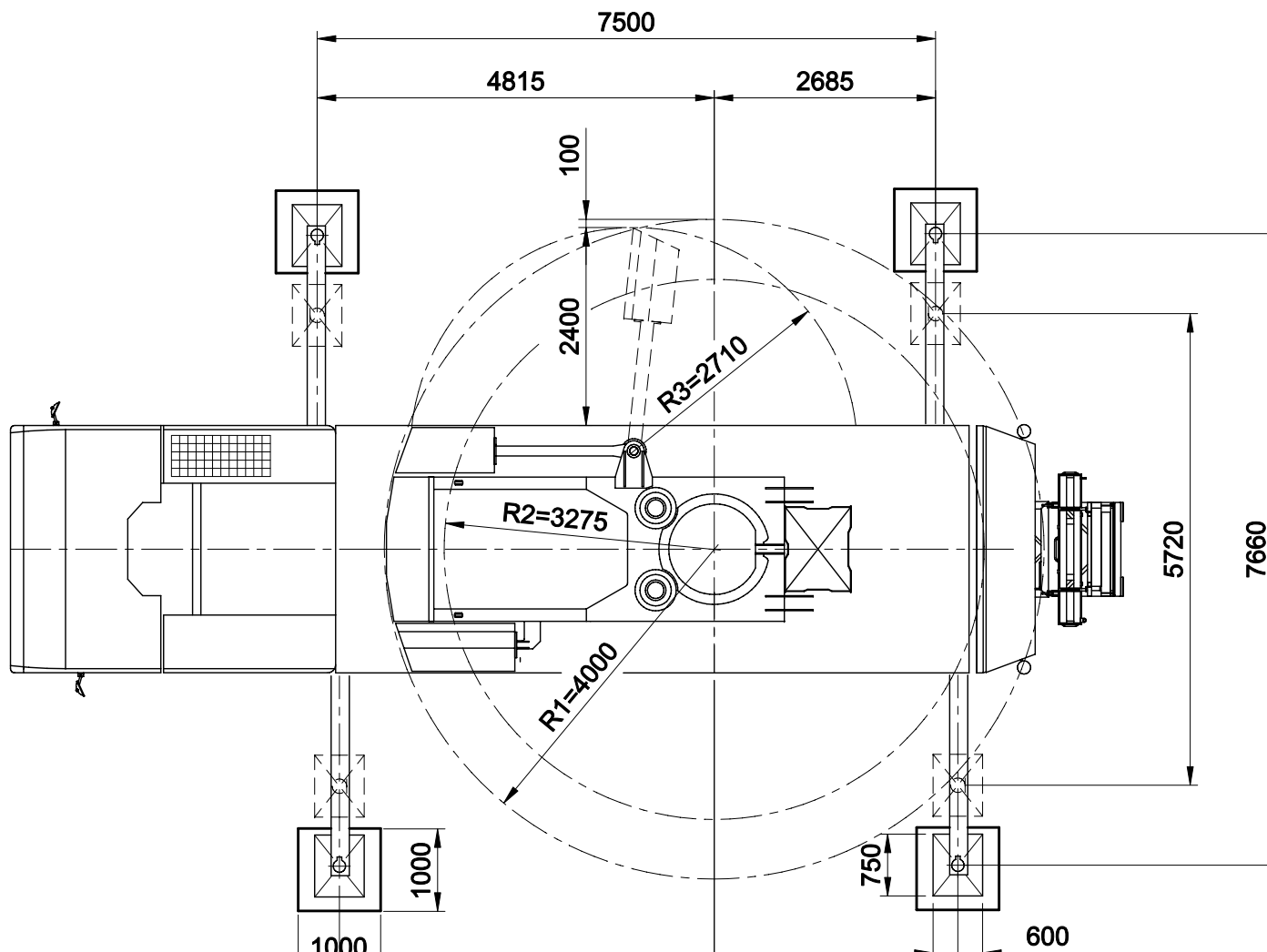
(end reduction $i=7,29$)

Tyres

Suspension: hydro-pneumatic on all axles; stroke cyl.

: 445/75 R22,5

: 247 mm



SPIERINGS HYDRAULIC FOLDING CRANE SK 599 - AT5

Outrigger support base	
Max. outrigger force	440 kN
Outrigger support pads	750x600 mm
Ground pressure	1,00 N/mm ²
Outrigger support plates	1000x1000 mm
Surface	1,00 m ²
Ground pressure	0,44 N/mm ²