



ATC 3275

275-ton (250.0 mt) All Terrain Crane

**ANSI
B30.5
TESTED**

- 43.7 ft to 223 ft (13.3-68m) seven-section formed full power latching boom
- Eight boom extend modes provide superior capacities: EM1-EM8
- Optional 12-40-67 ft (3.65-12.2-20.42m) three-piece, bi-fold, on-board lattice attachment with 2°, 15°, 30°, and 45° manual offsets, and 2° - 45° hydraulic offsets
- Optional two 25 ft (7.62m) plus 67 ft (20.42m) provide a total attachment length of 117 ft (35.66m)
- 350 ft (106.8m) maximum tip height
- Modular style counterweights - 156,500 lbs (70 987kg)
- 22,500 lbs (10 205.8.kg) maximum winch line pull
- 420 fpm (128 m/min) maximum winch line speed
- Next generation tilting operator's cab
- Automated manual transmission with 2-speed auxiliary transmission
- Anti-lock (ABS) disc brakes
- "Stow 'n Go" steel pontoons

Link-Belt
C R A N E S





ATC 3275

275-ton (250.0 mt) All Terrain Crane

- 7-section full power latching boom with attachment flexibility
- Big, wide cab with outstanding visibility
- Winches deliver impressive numbers of line pull and line speed
- Counterweight flexibility, big engine and transmission power, along with hydro-gas suspension promise incredible mobility on the road or on the job



12-40-67 ft (3.6-12.2-20.4 kg) three-piece bi-fold lattice attachment with 2°, 15°, 30° and 45° manual offsets and 2°-45° hydraulic offsets

Outstanding mobility on the road and on the job site

- Cruise control
- Five stage intarder brake control lever
- Three stage engine compression brake
- Ether injection system – optional
- Automated transmission (no clutch pedal) — 12 speeds forward, 2 speeds reverse with two modes of operation: fully automatic and semi-automatic
- 2-Speed auxiliary transmission
- Job site travel is permissible with all 156,500 lbs (70 987 kg) of counterweight for exceptional job site versatility:
 - ATC: 0.5 mph (0.80 km/hr) job site travel
- Highway speeds unmatched in the industry today:
 - ATC: up to 62 mph (99.78 km/hr)



Boom dolly/trailer ready

Rear electrical and air connections



Comfortable carrier :

- Dash-mounted comprehensive instrumentation with backlit gauges
- Roll up/down door window provides excellent ventilation
- Fully adjustable air-ride fabric seat
- Suspended pedals



Steer Coordinated.



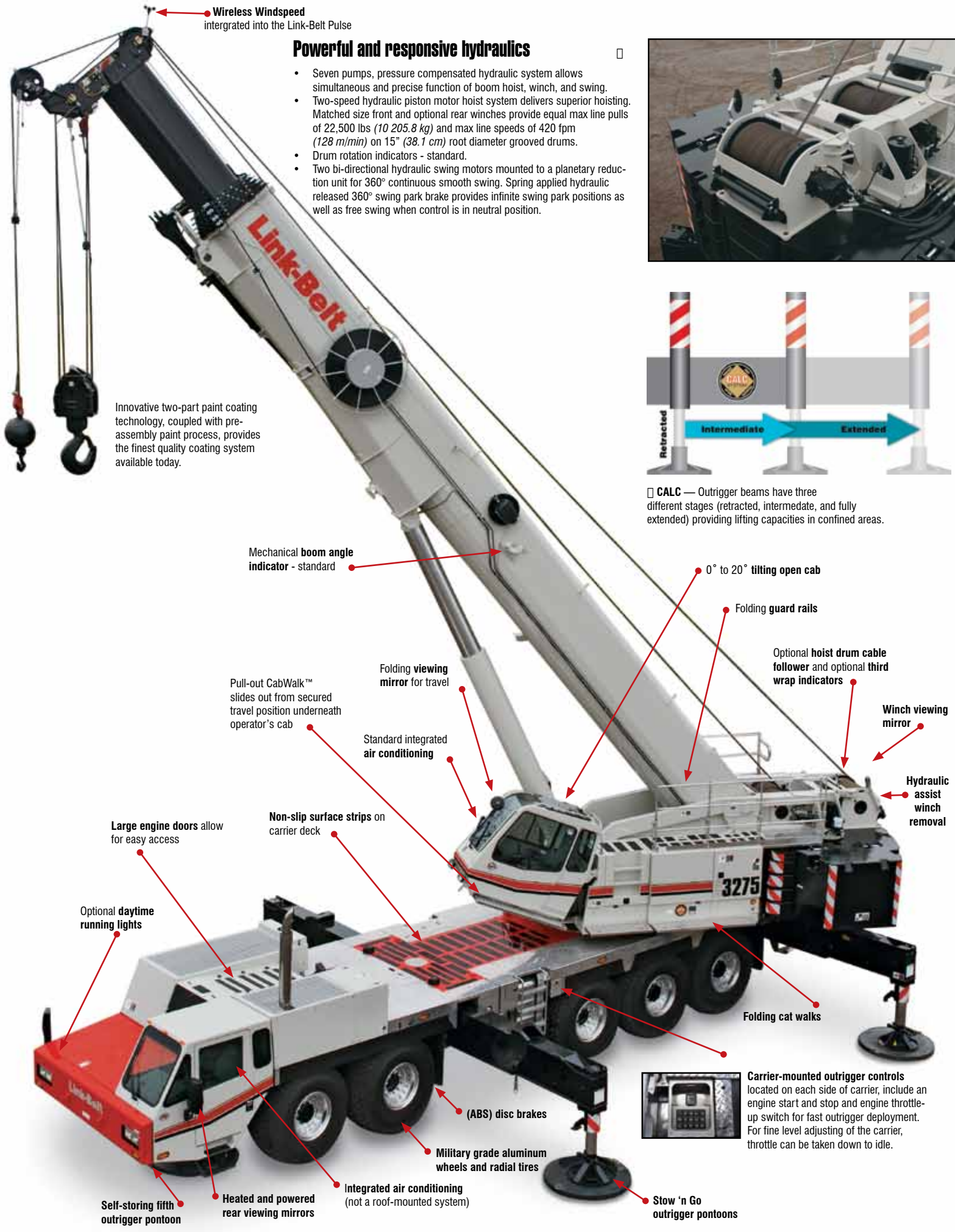
Steer Front



Steer Diagonal



Steer Rear



• **Wireless Windspeed**
intergrated into the Link-Belt Pulse

Powerful and responsive hydraulics

- Seven pumps, pressure compensated hydraulic system allows simultaneous and precise function of boom hoist, winch, and swing.
- Two-speed hydraulic piston motor hoist system delivers superior hoisting. Matched size front and optional rear winches provide equal max line pulls of 22,500 lbs (10 205.8 kg) and max line speeds of 420 fpm (128 m/min) on 15" (38.1 cm) root diameter grooved drums.
- Drum rotation indicators - standard.
- Two bi-directional hydraulic swing motors mounted to a planetary reduction unit for 360° continuous smooth swing. Spring applied hydraulic released 360° swing park brake provides infinite swing park positions as well as free swing when control is in neutral position.



Innovative two-part paint coating technology, coupled with pre-assembly paint process, provides the finest quality coating system available today.



□ **CALC** — Outrigger beams have three different stages (retracted, intermediate, and fully extended) providing lifting capacities in confined areas.

Mechanical boom angle indicator - standard

0° to 20° tilting open cab

Folding guard rails

Optional hoist drum cable follower and optional third wrap indicators

Winch viewing mirror

Hydraulic assist winch removal

Pull-out CabWalk™ slides out from secured travel position underneath operator's cab

Folding viewing mirror for travel

Standard integrated air conditioning

Large engine doors allow for easy access

Non-slip surface strips on carrier deck

Optional daytime running lights

Folding cat walks

(ABS) disc brakes

Military grade aluminum wheels and radial tires

Integrated air conditioning (not a roof-mounted system)

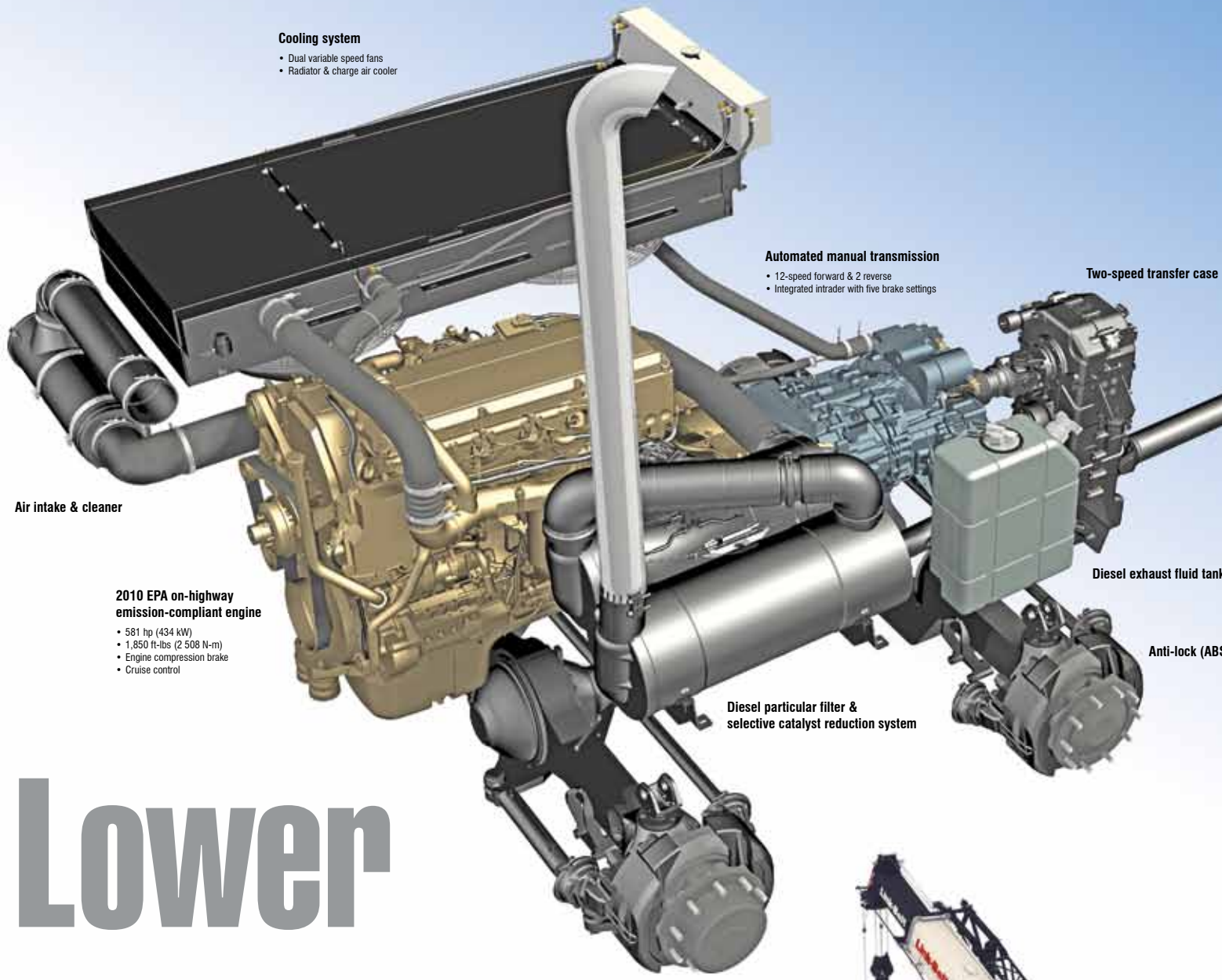


Carrier-mounted outrigger controls located on each side of carrier, include an engine start and stop and engine throttle-up switch for fast outrigger deployment. For fine level adjusting of the carrier, throttle can be taken down to idle.

Self-storing fifth outrigger pontoon

Heated and powered rear viewing mirrors

Stow 'n Go outrigger pontoons



Cooling system

- Dual variable speed fans
- Radiator & charge air cooler

Automated manual transmission

- 12-speed forward & 2 reverse
- Integrated intruder with five brake settings

Two-speed transfer case

Air intake & cleaner

2010 EPA on-highway emission-compliant engine

- 581 hp (434 kW)
- 1,850 ft-lbs (2,508 N-m)
- Engine compression brake
- Cruise control

Diesel exhaust fluid tank

Anti-lock (ABS)

Diesel particular filter & selective catalyst reduction system

Lower

The power behind the performance

10x6 drive

- Axle 1, 4 & 5
- Traction control
- Inter-axle lock
- Cross-axle lock



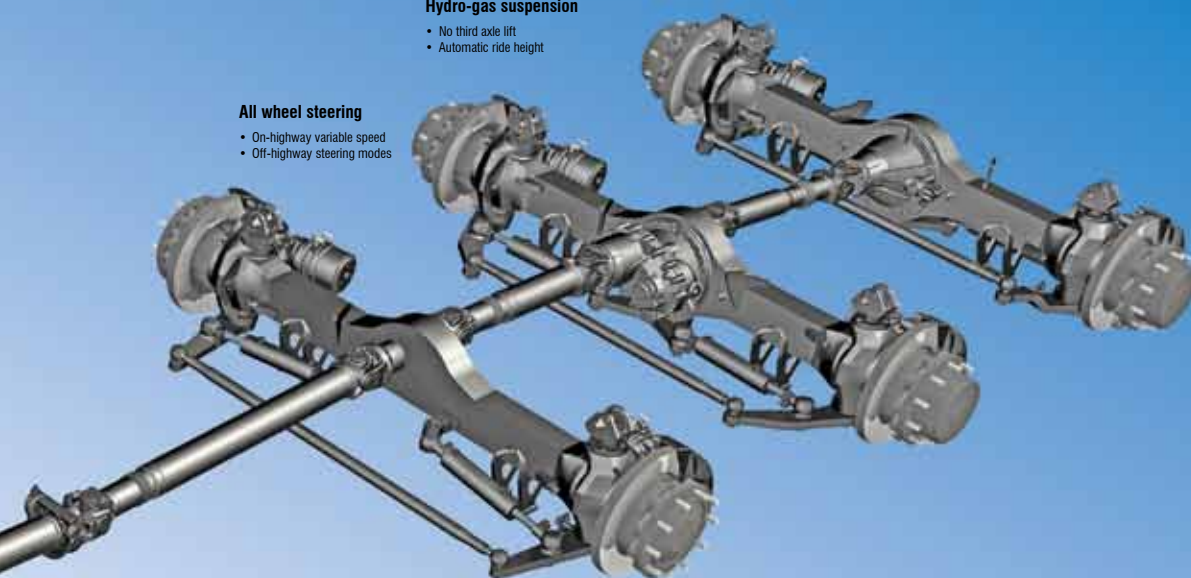


Hydro-gas suspension

- No third axle lift
- Automatic ride height

All wheel steering

- On-highway variable speed
- Off-highway steering modes

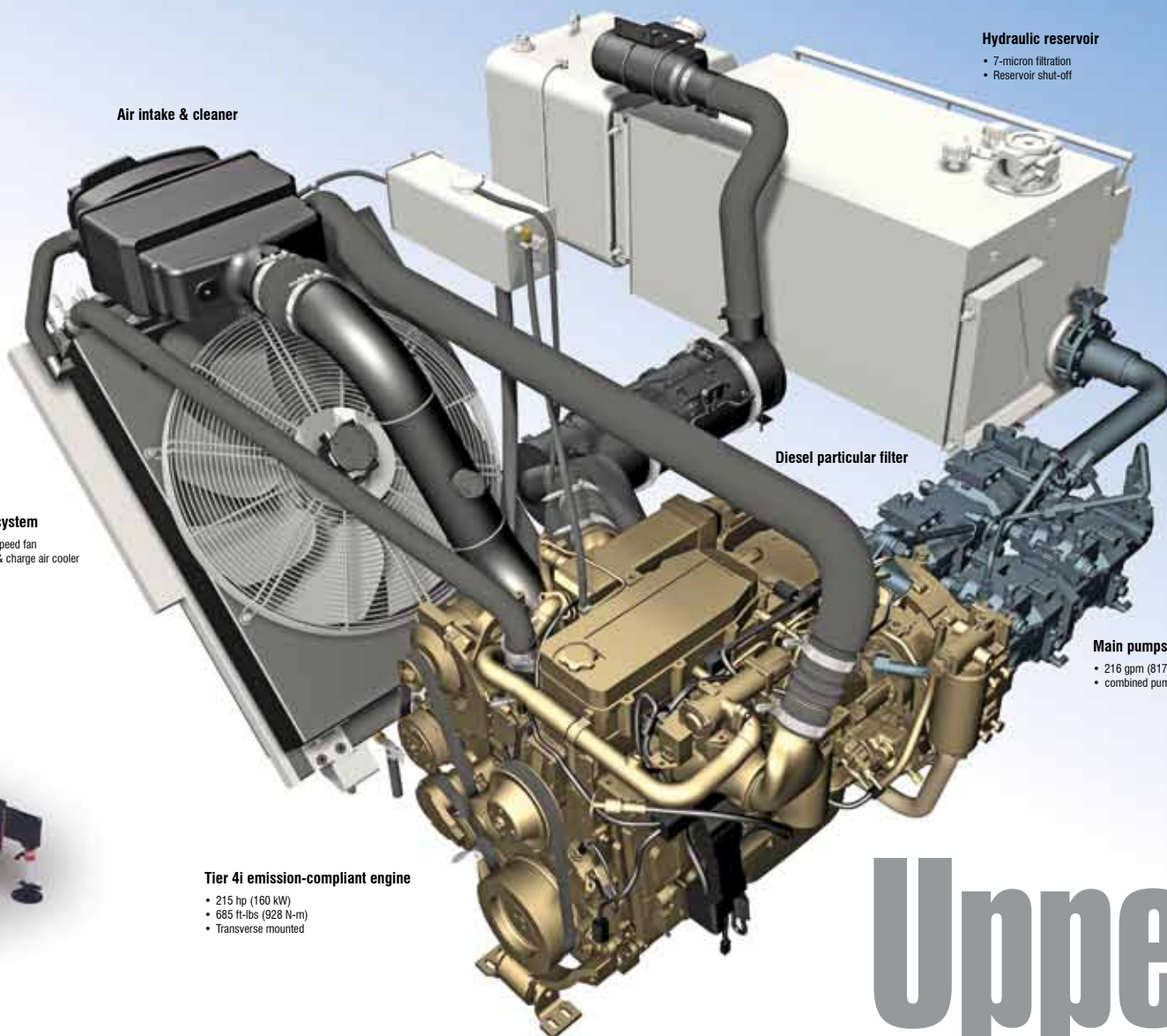


disc brakes

Air intake & cleaner

Hydraulic reservoir

- 7-micron filtration
- Reservoir shut-off



Cooling system

- Variable speed fan
- Radiator & charge air cooler

Diesel particulate filter

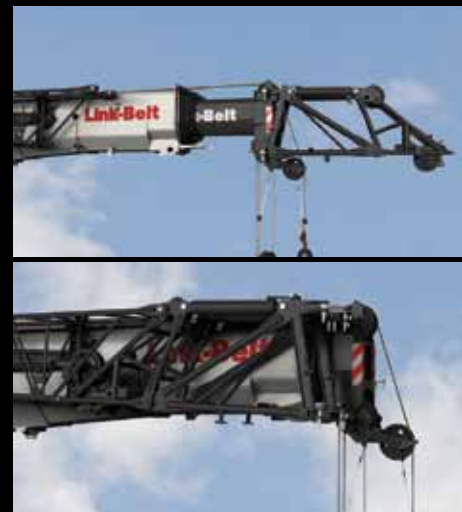
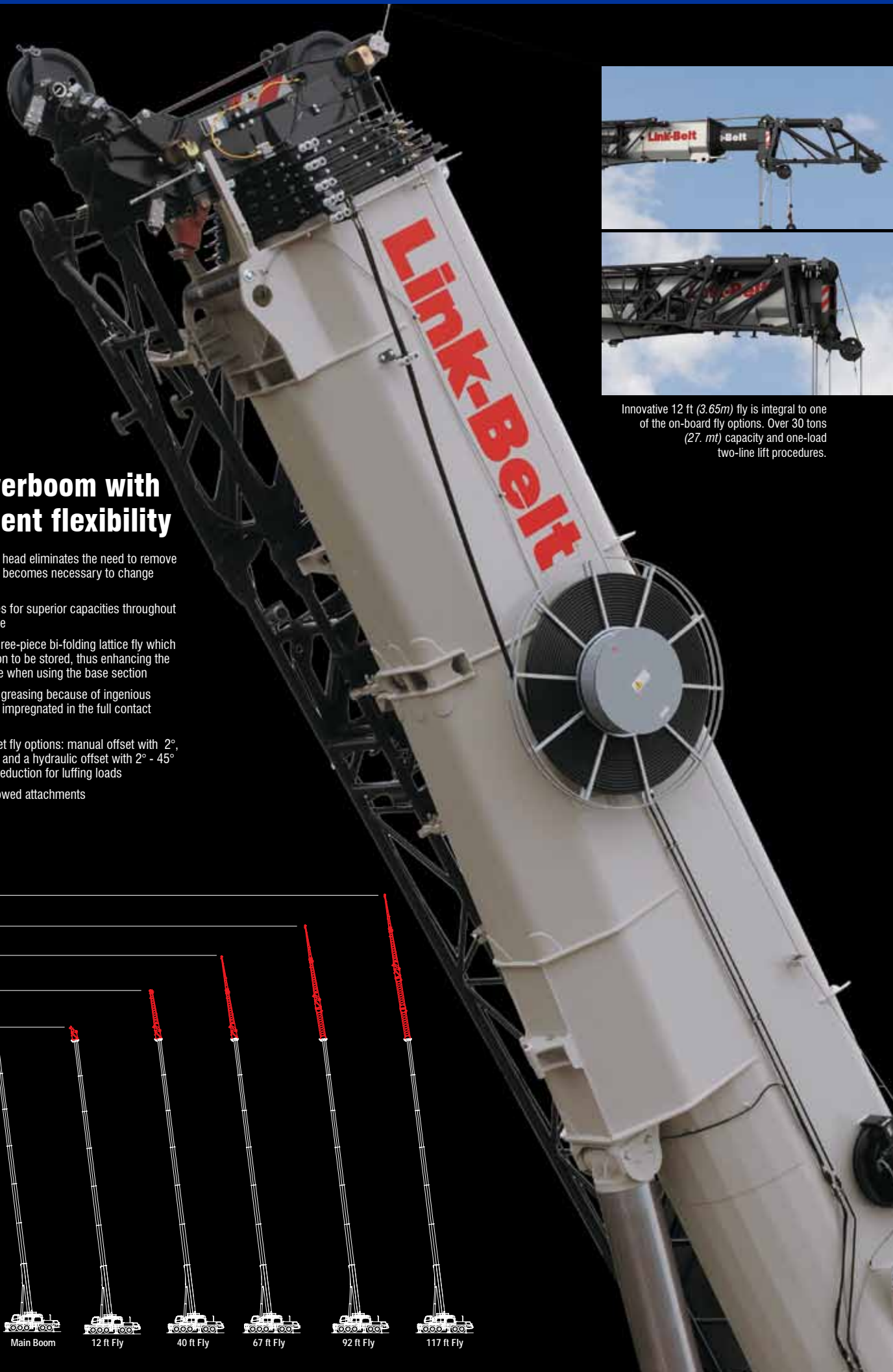
Main pumps

- 216 gpm (817.6 lpm)
- combined pump capacity

Tier 4i emission-compliant engine

- 215 hp (160 kW)
- 685 ft-lbs (928 N-m)
- Transverse mounted

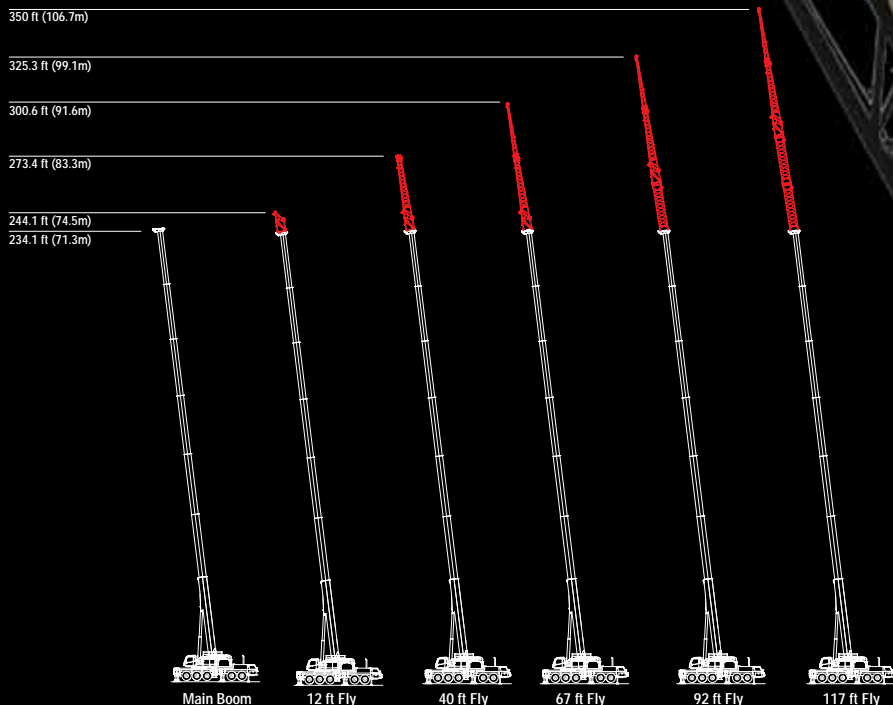
Upper



Innovative 12 ft (3.65m) fly is integral to one of the on-board fly options. Over 30 tons (27. mt) capacity and one-load two-line lift procedures.

Full powerboom with attachment flexibility

- Quick reeve boom head eliminates the need to remove the becket when it becomes necessary to change the reeving
- Eight extend modes for superior capacities throughout the extension range
- Available two or three-piece bi-folding lattice fly which allow the tip section to be stored, thus enhancing the lifting performance when using the base section
- Boom requires no greasing because of ingenious Teflon wear pucks impregnated in the full contact wear pads
- Two available offset fly options: manual offset with 2°, 15°, 30°, and 45°, and a hydraulic offset with 2° - 45° with no capacity deduction for luffing loads
- No deducts for stowed attachments





Roomier and quieter operator's cab

- Tilt cab up to 20°
- Extra large front window almost seamlessly merges into the roof window
- All gauges, switches, indicators, and controls are placed in the operators forward line of sight and backlit for nighttime operation
- Pull-out Cab Walk for easy access to and from the operator's cab
- Outrigger and carrier engine controls



Link-Belt Pulse is the Link-Belt-designed total crane operating system. It includes the rated capacity limiter, extend mode controller, diagnostic capabilities, and continuous monitoring of multiple crane functions and conditions. To aid operators in safe and efficient operation, its high-resolution, color-intense graphic display provides excellent contrast even in direct sunlight.

Link-Belt

PULSE



Access to the engine compartments and the operator's cab is superb with strategically-located ladders and steps.



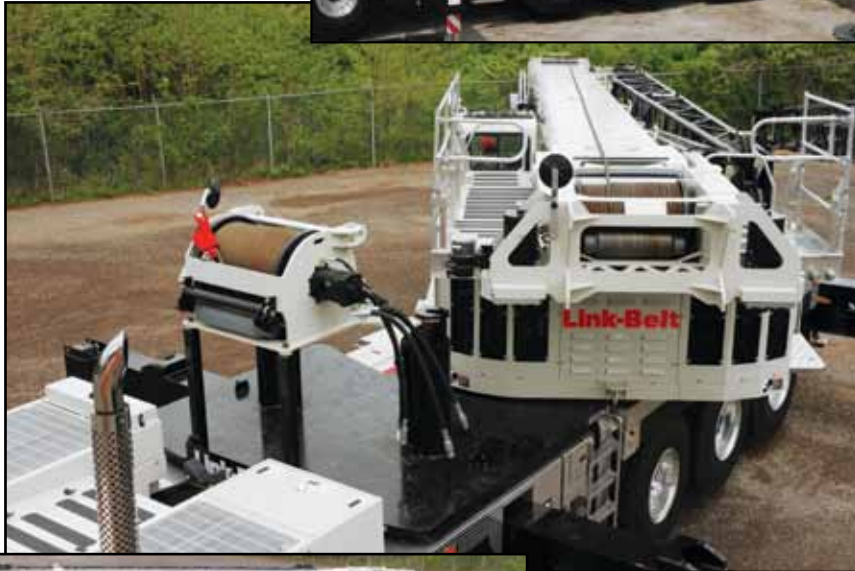
Multiple counterweight configurations give you capacities for any size job

- Standard – Total of 36,000 lbs (16 329 kg) of removable counterweights. Capacities for three different counterweight configurations.
- Optional – Up to 156,500 lbs (70 987 kg) of removable counterweights. Capacities for up to eight different counterweight configurations.
- All configurations can be raised and lowered by hydraulic cylinders from the comfort of the operator's cab for ease of installation and removal.



Breakthrough transportability

- Unlike any all terrain the ATC-3275 can travel at a highway speed of 62 mph (100kph).
- Transports with only four overflow loads, while other all terrains in its class require up to six.
- Drive line features of anti-lock (ABS) disc brakes, transmission interarder, and true engine compression brake.
- The hydro-gas suspension delivers great articulation for jobsites and yields a smooth ride on the highway.



□ Auxiliary winch can be removed and installed without an assist crane using only the bottom tray of the counter weight stack. A newly designed counterweight removal system allows all counterweight configurations to be raised and lowered by hydraulic cylinders from the comfort of the operator's cab.

Link-Belt Construction Equipment Company is a leader in the design, manufacture, and sales of telescopic and lattice boom cranes with headquarters and manufacturing facilities in Lexington, Kentucky, USA. Link-Belt is committed to the manufacture and service of high quality products that satisfy customers worldwide

Towards that end, Link-Belt has pursued a strategy of growth and investment. It has moved aggressively to seize more global market share by producing a broader range of products and strengthening distribution and personnel around the globe.

Link-Belt is also home to a family of passionate professionals with a legacy of innovation and cutting-edge technology spanning over 135 years. These professionals, in a 740,000 sq. ft. (68 748 m2) manufacturing facility and with a culture of continuous innovation, have pushed Link-Belt to be the most modern crane manufacturer in North America.

Link-Belt
CRANES

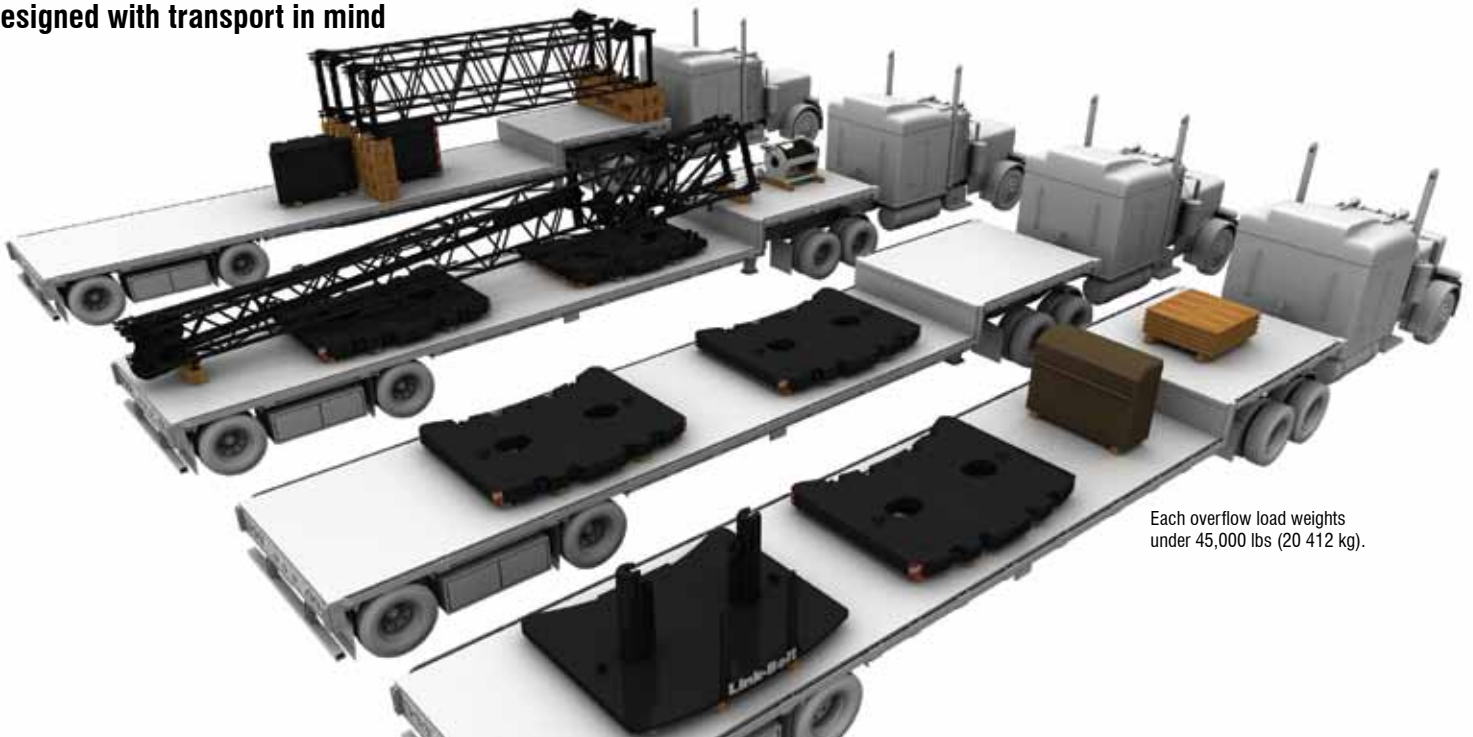


www.linkbelt.com
Lexington, Kentucky

© Link-Belt is a registered trademark. Copyright 2011 All rights reserved. We are constantly improving our products and therefore reserve the right to change designs and specifications.

Litho in U.S.A. 10/2011 #4393

Designed with transport in mind



Each overflow load weights under 45,000 lbs (20 412 kg).