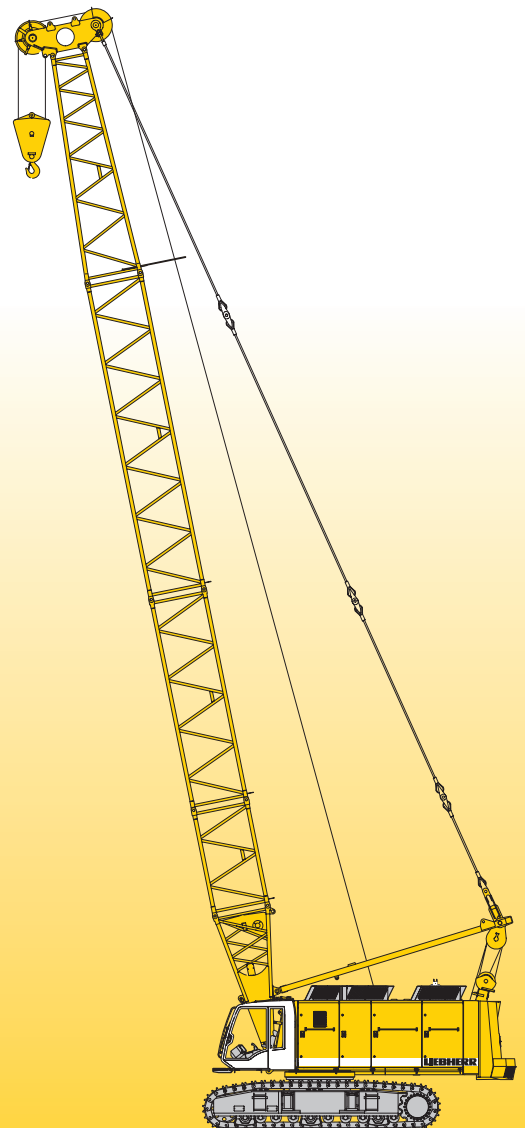




Technical data Hydraulic crawler crane

HS 885 HD

Litronic®

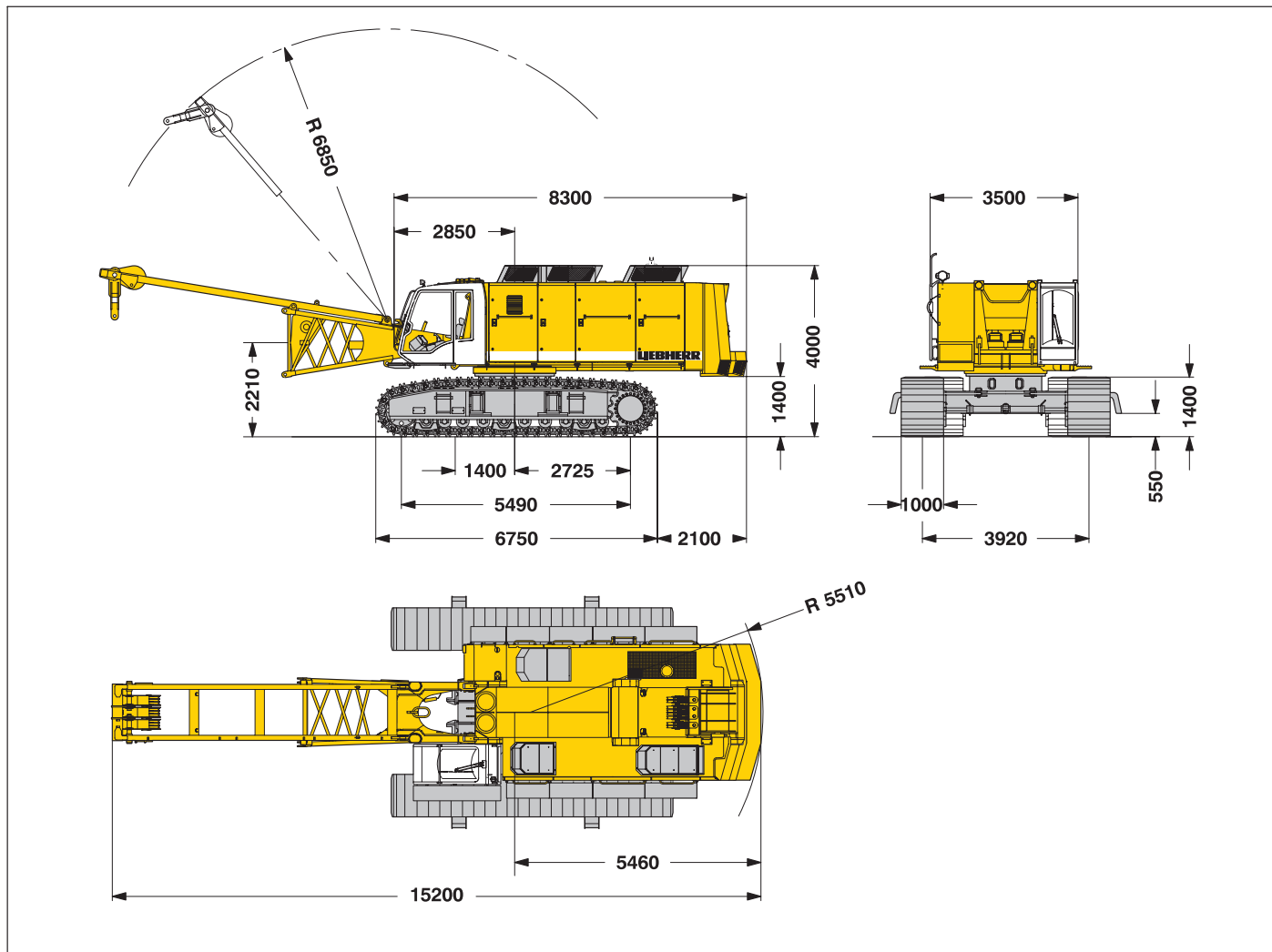


LIEBHERR



Dimensions

Basic machine with undercarriage



Operating weight

The operating weight includes the basic unit with B9s crawler tracks, 2 main winches 30 t with speed change gear and 11 m boom, consisting of A-frame, boom foot (4 m), boom head section (6.5 m) boom head (0.5 m) and 24.1 t counterweight + 8.4 t add. counterweight.

Total weight _____ appr. 106.8 t

Ground pressure

Ground bearing pressure _____ 0.98 kg/cm²

Equipment

Main boom max. length _____ 74 m

Fixed jib (No. 0806.xx) _____ 11 m – 32 m

Universal boom head with interchangeable rope pulleys.

Modular designed equipment for operation as crane, dragline or clamshell. For dragline operation, a rotating fairlead is fitted into the boom foot, which minimizes rope angle to drum, which results in lower rope wear.

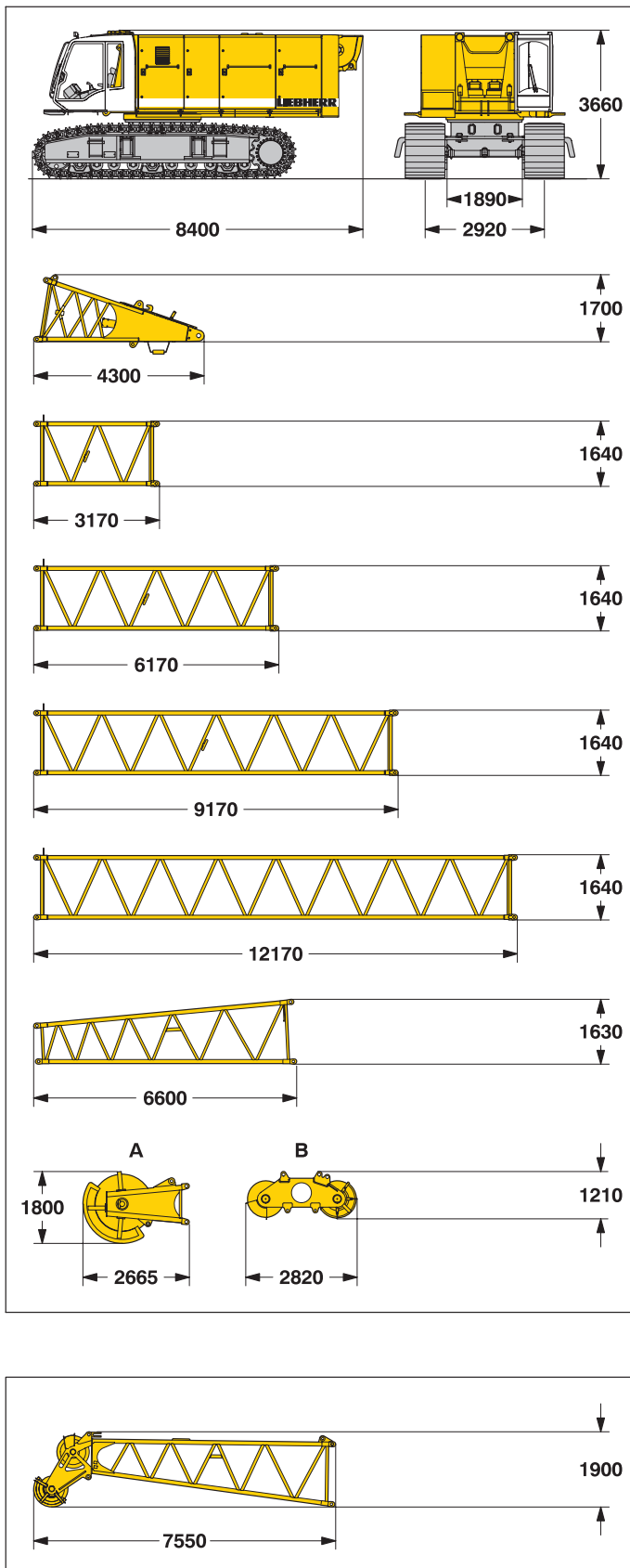
Remarks

1. The lifting capacities stated are valid for lifting operation only (corresponds with crane classification according to F.E.M. 1.001, crane group A1)
2. Crane standing on firm, horizontal ground.
3. The weight of the lifting device (hoisting ropes, hook block, shackle etc.) must be deducted from the gross lifting capacity to obtain a net lifting value.
4. Additional equipment on boom (e.g. boom walkways, auxiliary jib) must be deducted to get the net lifting capacity.
5. For max. wind speed please refer to lift chart in operator's cab or manual.
6. Working radii are measured from centre of swing and under load.
7. The lifting capacities are valid for 360 degrees of swing.
8. Calculation of stability under load is based on DIN 15019 / part 2 / chart 1 and ISO 4305 Table 1 + 2, tipping angle 4°.
9. The structures are calculated according to F.E.M. 1.001 – 1998 (prEN 13001 / T2 / 1997).



Transport dimensions and weights

Basic machine and boom



*) Including pendants

Basic machine

with HD undercarriage, V-8-Liebherr diesel engine, 2 x 30 t winches with change gear box, without counterweight, boom foot and A-frame

2-web shoes	mm	800	900	1000
Width	mm	3720	3820	3920
Weight	kg	68500	69300	70200

Boom foot

Width	mm	1660
Weight*	kg	2070

Boom section

3 m

Width	mm	1660
Weight*	kg	770

Boom section

6 m

Width	mm	1660
Weight*	kg	1240

Boom section

9 m

Width	mm	1660
Weight*	kg	1670

Boom section

12 m

Width	mm	1660
Weight*	kg	2120

Boom head section

6.4 m

Width	mm	1660
Weight*	kg	1310

Boom head

B A

Width	mm	780	1070
Weight*	kg	1500	1800

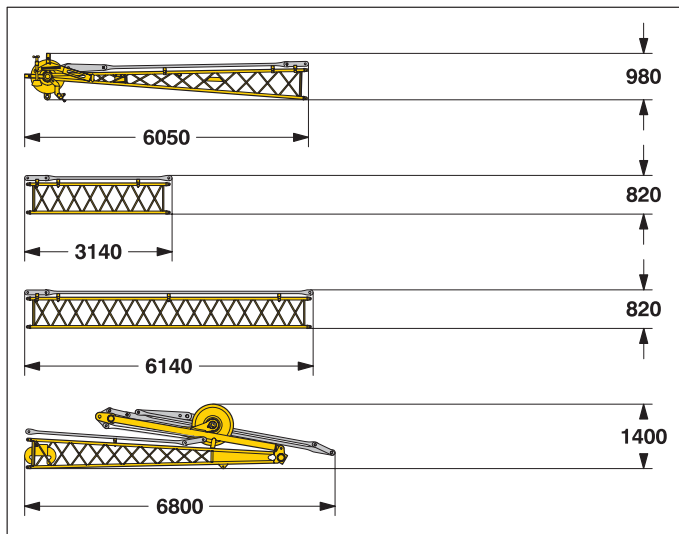
L - boom head

Width	mm	1660
Weight*	kg	1170



Transport dimensions and weights

Fixed jib (No. 0806.xx)



*) Including pendants

Fixed jib head (No. 0806.xx)

Width	mm	1140
Weight*	kg	445

Fixed jib section (No. 0806.xx) 3 m

Width	mm	950
Weight*	kg	110

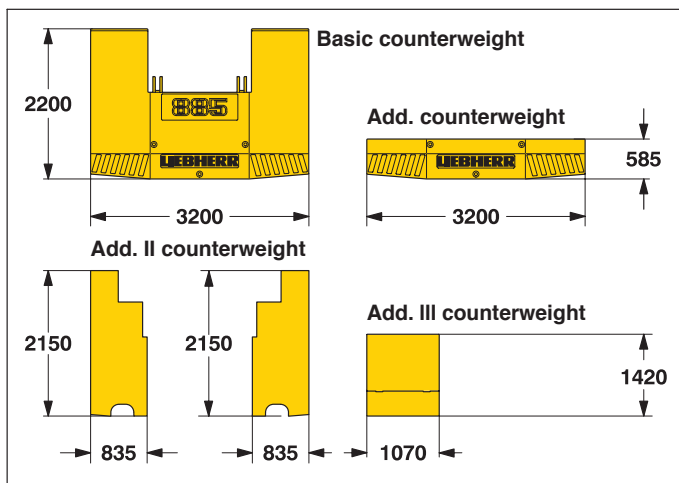
Fixed jib section (No. 0806.xx) 6 m

Width	mm	950
Weight*	kg	195

Fixed jib foot with A-frame (No. 0806.xx)

Width	mm	1500
Weight*	kg	930

Counterweight



Basic counterweight 1 x

Width	mm	720
Weight	kg	19600

Add. counterweight 1 x

Width	mm	660
Weight	kg	4500

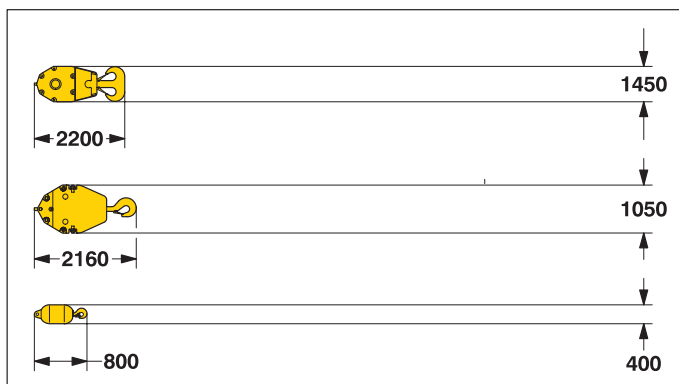
Add. II counterweight 2x

Width	mm	340
Weight	kg	2600

Add. III counterweight 1 x

Width	mm	375
Weight	kg	3200

Hooks



120 t hook block - 2 sheaves

Width	mm	320
Weight	kg	1400

60 t hook block - 1 sheave

Width	mm	300
Weight	kg	970

30 t single hook

Width	mm	400
Weight	kg	400



Technical description



Engine

Water cooled, V-8-cylinder Liebherr diesel engine, turbo charged with intercooler, model D 9408 TI-E, power rating according to ISO 9249, 400 kW (544 hp) at 1900 rpm.

Engine complies with NRMM exhaust certification EPA / CARB Tier 2 and 97/68 EC Stage II

Option:

Water cooled, V-12-cylinder Mercedes Benz diesel engine, turbo charged with intercooler, type OM 444 LA, power rating according to ISO 3046 IFN, 605 kW (812 hp) at 1900 rpm.

Fuel Tank: 920 l capacity with continuous level indicator and reserve warning.

Engine complies with NRMM exhaust certification EPA / CARB Tier 1



Hydraulic system

The main pumps are operated by a distributor gearbox. Axial piston displacement pumps work in closed and open circuits supplying oil only when needed (flow control on demand). To minimize peak pressure an automatically working pressure cut off is integrated. This spares pumps and saves energy. Max. working pressure: 350 bar.

Hydraulic oil tank capacity: 1100 l

The hydraulic oil is cleaned through electronically controlled pressure and return filters. Possible contamination is signaled in the cabin. The use of synthetic environmentally friendly oils is possible. Ready made hydraulic retrofit kits are available to customize requirements e. g. powering casing oscillators, auger drills etc.



Boom winch

Line pull _____ max. 2x 70 kN

Rope diameter _____ 20 mm

Boom up _____ 84 sec. from 15° to 82°



Swing

Consists of rollerbearing with external teeth for lower tooth flank pressure, fixed axial piston hydraulic motor, spring loaded and hydraulically released multi-disc holding brake, planetary gearbox and pinion.

Swing speed from 0 – 3.6 rpm continuously variable, selector for 3 speed ranges to increase swing precision.

Standard:

Second swing drive



Noise emission

Noise emissions correspond with 2000/14/EC directive on noise emission by equipment used outdoors.



Main winches

Winch options:

Line pull (nom. load) _____ 200 kN _____ 250 kN _____ 300 kN

Rope diameter : _____ 30 mm _____ 34 mm _____ 36 mm

Drum diameter : _____ 630 mm _____ 750 mm _____ 820 mm

Rope speed (m/min) _____ 0-85 _____ 0-69 _____ 0-55

With change gear box (m/min) _____ 0-123 _____ 0-119

Rope capacity 1st layer _____ 46.5 m _____ 45.9 m _____ 45.9 m

The winches are outstanding in their compact design and easy assembly. Clutch and braking functions on the freefall system are provided by a compact designed, low wear and maintenance free multi-disc brake. The drag and hoist winches use pressure controlled, variable flow hydraulic motors. This system features sensors that automatically adjust oil flow to provide max. winch speed depending on load.

Option:

Auxiliary winch 100 kN in boom foot.

Crane winch (main winch) 160 kN with multi-disc holding brake.



Crawlers

The track width of the undercarriage is changed hydraulically. Propulsion through axial piston motor, hydraulically released spring loaded multi-disc brake, maintenance free crawler tracks, hydraulic chain tensioning device. Flat or 2 web track shoes. Drive speed 0 – 1.3 km/h.

Option:

2 speed hydraulic motor for higher travel speed.



Control

The control system – developed and manufactured by Liebherr – is designed to withstand extreme temperature changes and the rough heavy duty tasks common in the construction industry. Complete machine operating data are shown on a high resolution display. The crane is equipped with proportional control for all movements, which can be carried out simultaneously. A special "Interlock" control system is also optionally available. It is designed for power lifting of the dragline bucket without using the grab winch brake.

An additional option is also the so-called "Redundant" control system, which allows restricted operation of the machine in the event of a failure on the electronic base control or its sensors.

On request, Liebherr also offers special custom designed control systems for free fall winches.

The crane is operated with 2 multi-directional joysticks, right for winch I and boom hoist drive, left for winch II and slewing gear. Crawler control is actuated with the two central foot pedals. Additionally, hand levers can be attached to the pedals.

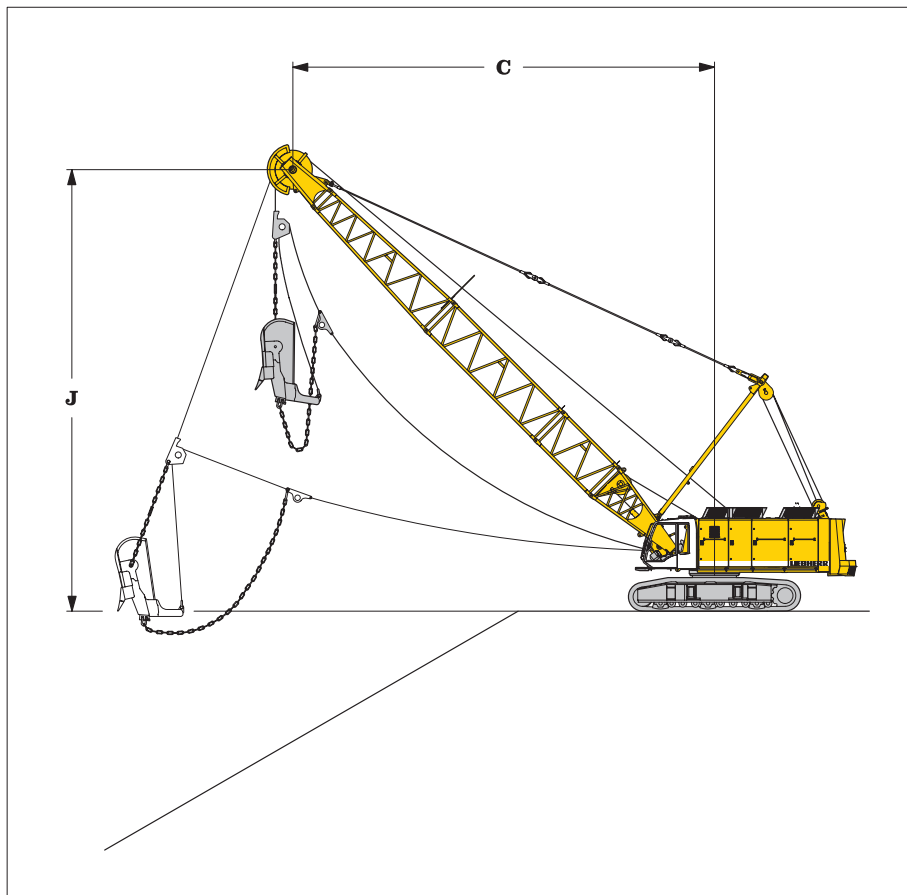
Options:

- Both main winches with double-T levers
- Special demolition control system
- MDE: Machine data recording
- PDE: Process data recording
- GSM – Service Modem



Dragline equipment

32.5 t Counterweight



Working diagram

C = Radius / dumping radius

J = Height of boom head sheave centre above ground level

Capacities in metric tons for boom lengths from 18 m – 33 m:

counterweight 32.5 t

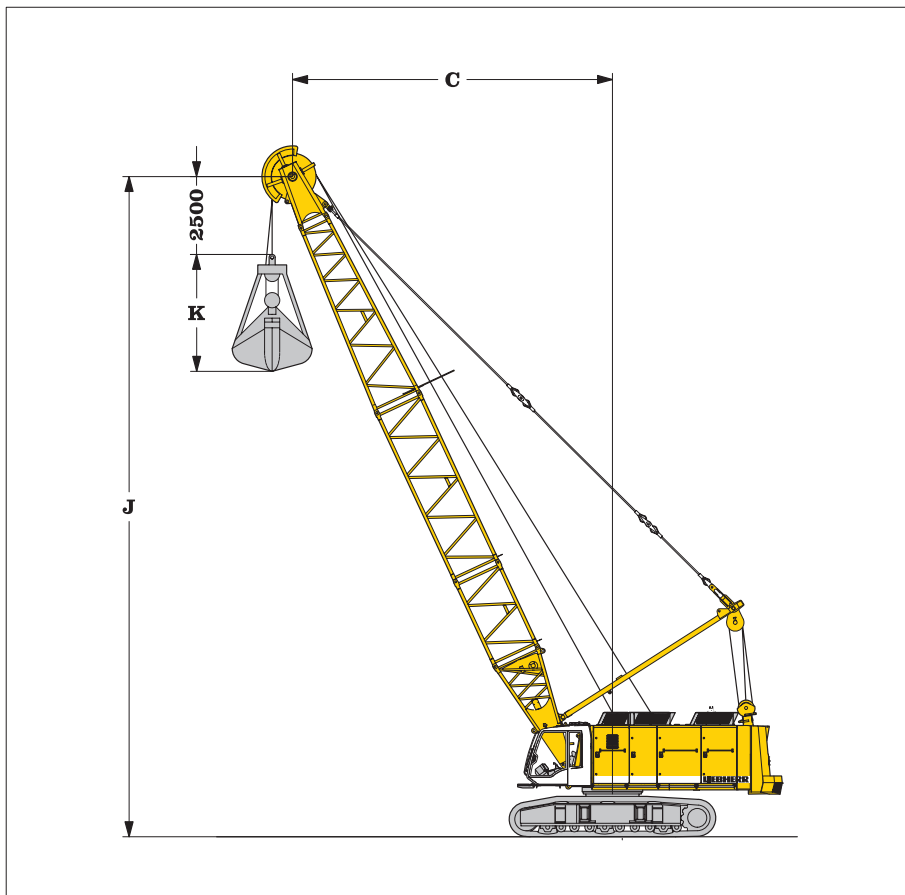
α	18 m			21 m			24 m			27 m			30 m			33 m		
	C m	J m	t	C m	J m	t	C m	J m	t	C m	J m	t	C m	J m	t	C m	J m	t
45	14.7	14.9	21.0	16.9	17.0	16.7	19.0	19.1	13.4	21.1	21.3	11.2	23.3	23.4	9.4	25.3	25.6	8.5
40	15.8	13.7	18.2	18.1	15.7	14.0	20.4	17.6	11.4	22.7	19.5	9.6	25.0	21.4	8.1	27.3	23.4	7.6
35	16.8	12.5	15.2	19.2	15.2	12.0	21.7	15.9	10.1	24.1	17.6	8.6	26.6	19.4	9.2	29.1	21.2	6.8
30	17.6	11.2	13.3	20.2	12.7	10.9	22.8	14.2	9.0	25.4	15.7	7.5	28.0	17.2	6.3	30.6	18.7	6.2
25	18.3	9.8	11.9	21.0	11.0	9.7	23.8	12.3	8.2	26.5	13.6	6.8	29.2	14.8	5.7	31.9	16.2	5.6

Max. capacities in metric tons do not exceed 75% of tipping load.



Clamshell equipment

32.5 t counterweight



Working diagram

- C = Radius / dumping radius
- J = Height of boom head sheave centre above ground level
- K = Length of clamshell (depending on type and capacity of bucket)

Capacities in metric tons for boom lengths from 18 m – 33 m: counterweight 32.5 t

α	18 m			21 m			24 m			27 m			30 m			33 m		
	C	J	t	C	J	t	C	J	t	C	J	t	C	J	t	C	J	t
65	9.6	18.5	30.0	10.9	21.2	28.2	12.2	23.9	24.0	13.4	26.6	20.8	14.7	29.3	18.1	16.0	32.1	15.9
60	11.0	17.7	27.8	12.5	20.3	23.2	14.0	22.9	19.8	15.5	25.5	17.0	17.0	28.1	14.7	18.5	30.8	12.8
55	12.4	16.9	23.8	14.1	19.4	19.8	15.8	21.8	16.8	17.5	24.3	14.3	19.2	26.7	12.4	21.0	29.3	10.7
50	13.6	15.9	20.9	15.5	18.2	17.3	17.4	20.5	14.6	19.4	22.8	12.4	21.3	25.1	10.6	23.2	27.5	9.1
45	14.7	14.9	18.7	16.9	17.0	15.5	19.0	19.1	13.0	21.1	21.3	10.9	23.2	23.4	9.3	25.3	25.6	7.9
40	15.8	13.7	17.0	18.1	15.7	13.7	20.4	17.6	11.4	22.7	19.5	9.6	25.0	21.4	8.0	27.3	23.4	6.7
35	16.8	12.5	15.0	19.2	14.2	12.1	21.7	15.9	10.1	24.1	17.9	8.5	26.6	19.4	7.1	29.1	21.2	6.0
30	17.6	11.2	13.3	20.2	12.7	10.9	22.8	14.2	9.0	25.4	15.7	7.6	28.0	17.2	6.3	30.6	18.7	5.2
25	18.3	9.8	11.9	21.0	11.0	9.7	23.8	12.3	8.0	26.5	13.6	6.7	29.2	14.8	5.5	31.9	16.2	4.5

Max. capacities in metric tons do not exceed 66.7 % of tipping load.

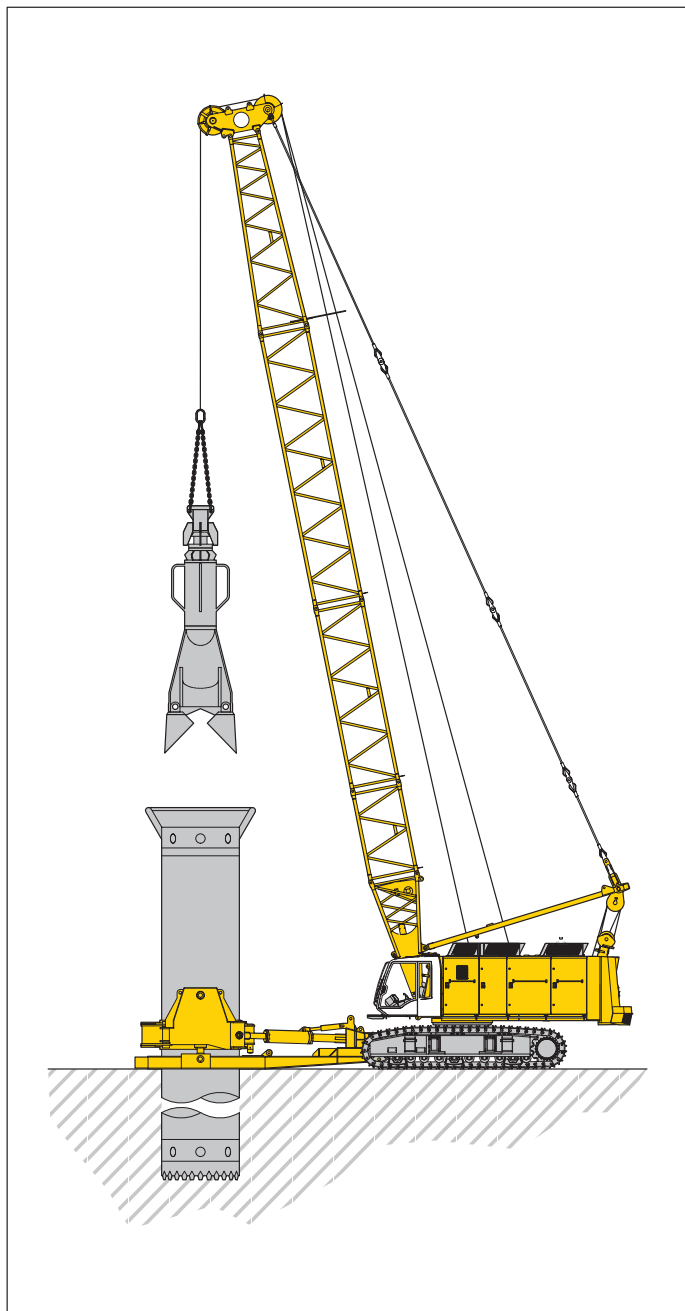
Load diagram restricted by safety factors of standard ropes:

Winches	200 kN	250 kN	300 kN
Rope diameter	30 mm	34 mm	36 mm
Calc. breaking load	820 kN	1051 kN	1184 kN
1-rope clamshell	14.8 t	19.0 t	21.5 t
2-rope clamshell	22.5 t	25.5 t	32.5 t



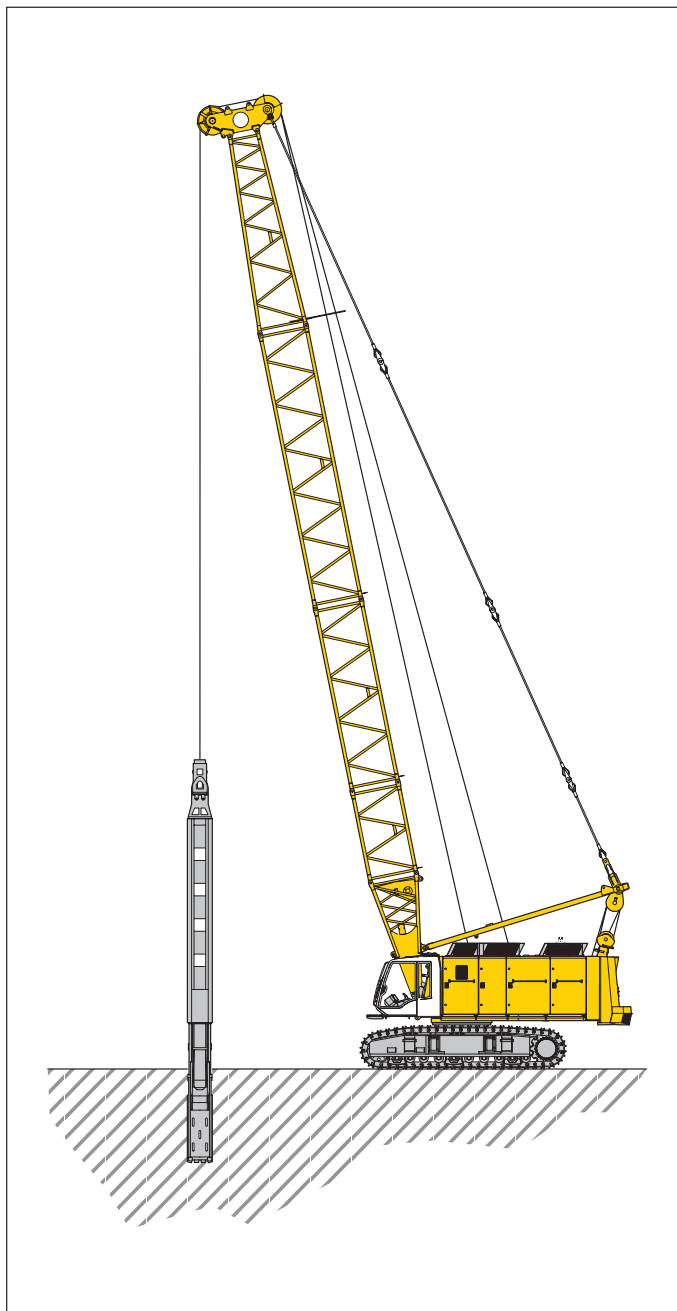
Equipment

Casing oscillator and slurry wall grab



Casing oscillator

Winch options _____ 2 x 250 kN _____ 2 x 300 kN
 Line speed 1st gear (m/min) _____ 0-69 _____ 0-55
 Line speed 2nd gear (m/min) _____ 0-123 _____ 0-119
 Drilling diameter _____ 2500 mm _____ 3000 mm
 Maximum allowable weight in
 two rope operation _____ 25.5 t _____ 32.5 t



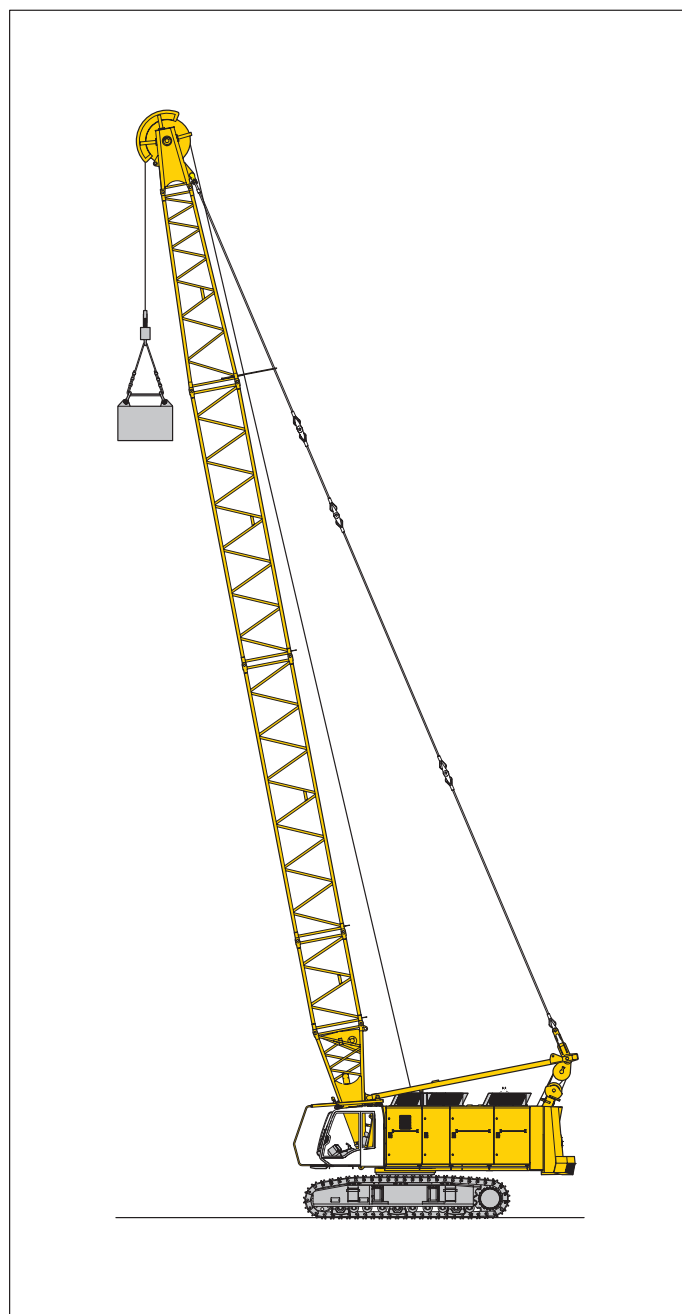
Slurry wall grab

Winch options _____ 2 x 250 kN _____ 2 x 300 kN
 Line speed 1st gear (m/min) _____ 0-69 _____ 0-55
 Line speed 2nd gear (m/min) _____ 0-123 _____ 0-119
 Max. chisel weight _____ 20 t _____ 25 t
 Maximum allowable weight in
 two rope operation _____ 25.5 t _____ 32.5 t



Equipment

Dynamic soil compaction



Capacities in metric tons for boom lengths from 21 m to 33 m

Radius (m)	Boom length				
	21 m	24 m	27 m	30 m	33 m
	t	t	t	t	t
8.0	30	30	25	25	25
9.0	20	20	20	20	20

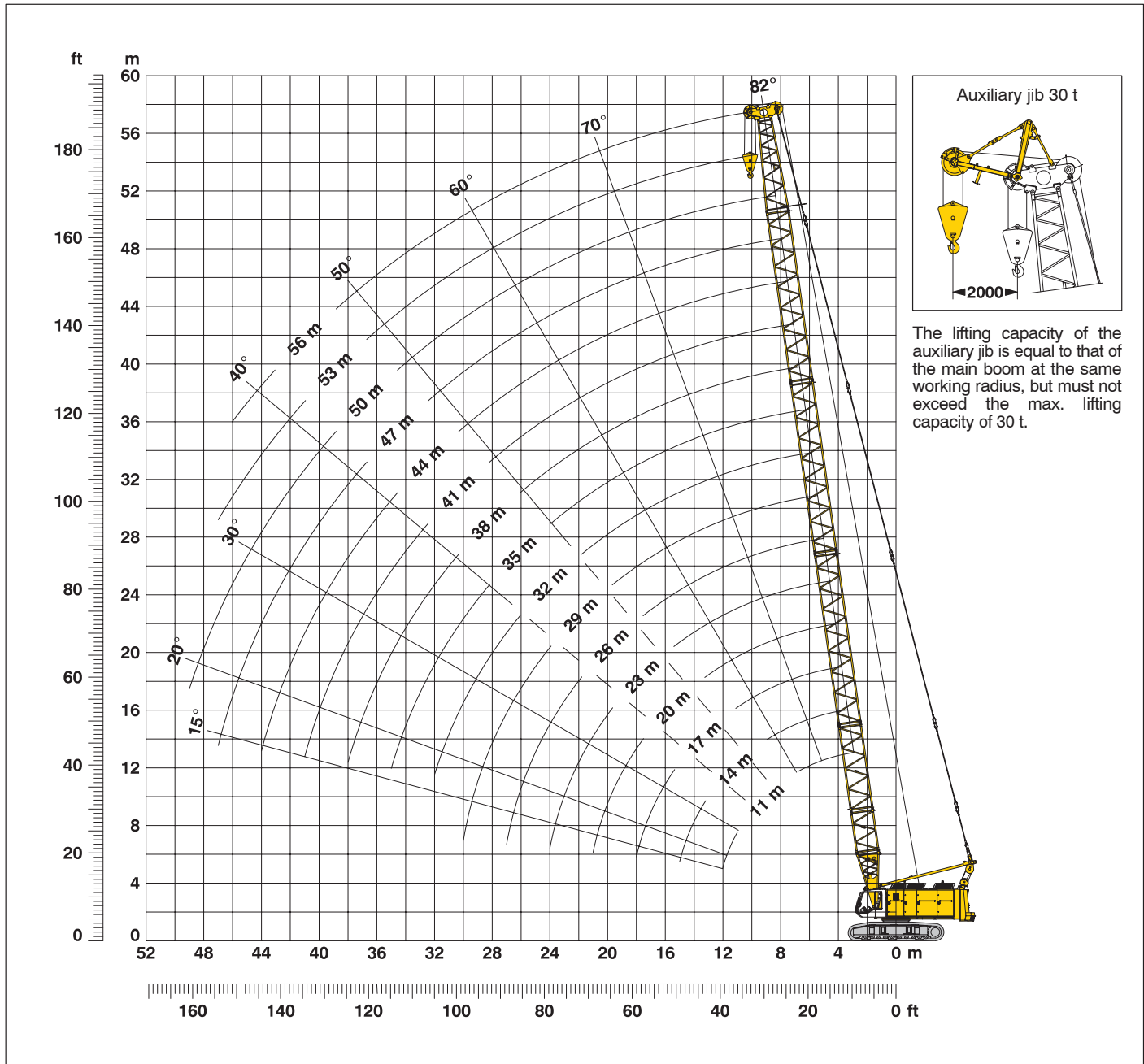
Max. capacities in metric tons do not exceed 75% of tipping load.

All loads given are max. values and must not be exceeded. They are only permitted in 2 rope automatic operation and are valid for work on a surface with max. inclination of 1 %. Lifting heights shall not exceed 25 m.



Working range - main boom 86° - 15°

32.5 t counterweight



Main boom configuration (table 1)

Configuration for boom lengths from 11 m – 56 m:

	Length	Amount of boom extensions																						
		4.0 m	3.0 m	6.0 m	9.0 m	12.0 m	6.4 m	0.6 m	11	14	17	20	23	26	29	32	35	38	41	44	47	50	53	56
Boom foot	4.0 m	1	1	1	1	1	1	1	1	1	1	1	1	1	1	1	1	1	1	1	1	1	1	1
Boom extension	3.0 m		1			1			1	1				1	1				1	1				1
Boom extension	6.0 m			1			1		1					1	1								1	1
Boom extension	9.0 m				1	1	1	1	2					2	2	2	2	3	3	3	3			
Boom head extension	6.4 m	1	1	1	1	1	1	1	1	1	1	1	1	1	1	1	1	1	1	1	1	1	1	1
Boom head	0.6 m	1	1	1	1	1	1	1	1	1	1	1	1	1	1	1	1	1	1	1	1	1	1	1
Boom length in (m)			11	14	17	20	23	26	29	32	35	38	41	44	47	50	53	56						



Lift chart for main boom

32.5 t counterweight

Capacities in metric tons for boom lengths from (11 m to 74 m) – with 300 kN winches

Radius	Boom length in (m)																	Radius
	Standard boom head													L – boom head				
	11	14	17	20	23	26	29	32	35	41	47	50	56	59	62	68	74	
(m)	t	t	t	t	t	t	t	t	t	t	t	t	t	t	t	t	t	(m)
3.8	120.0																	3.8
4	120.0	120.0																4
5	108.9	107.5	104.4															5
6	80.4	80.5	80.5	78.9	77.2	75.1												6
7	63.4	63.5	63.6	63.6	62.8	61.6	60.3	58.8										7
8	52.1	52.2	52.3	52.2	52.2	51.8	50.8	49.8	48.9	46.6								8
9	44.0	44.2	44.2	44.2	44.1	44.0	43.8	42.9	42.1	40.5	38.5							9
10	37.9	38.1	38.2	38.1	38.0	37.9	37.8	37.6	36.9	35.5	34.0	33.2						10
12	29.3	29.6	29.7	29.7	29.6	29.5	29.3	29.2	29.0	28.1	26.9	26.3	25.1	16.5	14.4	10.5		12
14		23.9	24.0	24.0	23.9	23.8	23.7	23.5	23.3	23.0	22.0	21.5	20.4	14.4	13.0	9.5	4.7	14
16			20.0	20.0	19.9	19.8	19.6	19.5	19.3	18.9	18.4	17.9	16.9	12.9	11.4	8.3	3.9	16
18			16.8	16.9	16.8	16.7	16.6	16.4	16.3	15.9	15.5	15.1	14.3	11.6	10.2	7.4	3.2	18
20				14.5	14.5	14.4	14.2	14.1	13.9	13.5	13.1	12.9	12.1	10.4	9.2	6.5	2.5	20
22					12.5	12.5	12.3	12.2	12.0	11.6	11.2	11.0	10.4	9.7	8.2	5.6	1.8	22
24					10.9	10.9	10.8	10.6	10.4	10.1	9.7	9.5	9.0	8.5	7.2	4.6	1.1	24
26						9.5	9.5	9.3	9.1	8.8	8.4	8.1	7.7	7.3	6.5	3.7		26
28							8.3	8.2	8.0	7.7	7.3	7.0	6.6	6.2	5.7	2.8		28
30							7.3	7.2	7.1	6.7	6.3	6.1	5.7	5.3	4.9			30
32								6.4	6.2	5.9	5.5	5.3	4.9	4.5	4.1			32
34									5.5	5.2	4.8	4.6	4.1	3.8	3.3			34
36										4.5	4.1	3.9	3.5	3.2	2.6			36
38										3.9	3.6	3.3	2.9	2.6	1.5			38
40										3.4	3.0	2.8	2.4	2.1				40
42											2.6	2.4	2.0	1.7				42
44											2.1	1.9	1.5	1.3				44
46											1.7	1.6	1.1					46
48												1.2						48

Above lift chart is for reference only. For actual lift duty please refer to lift chart in operator's cab or manual.

L – boom configuration

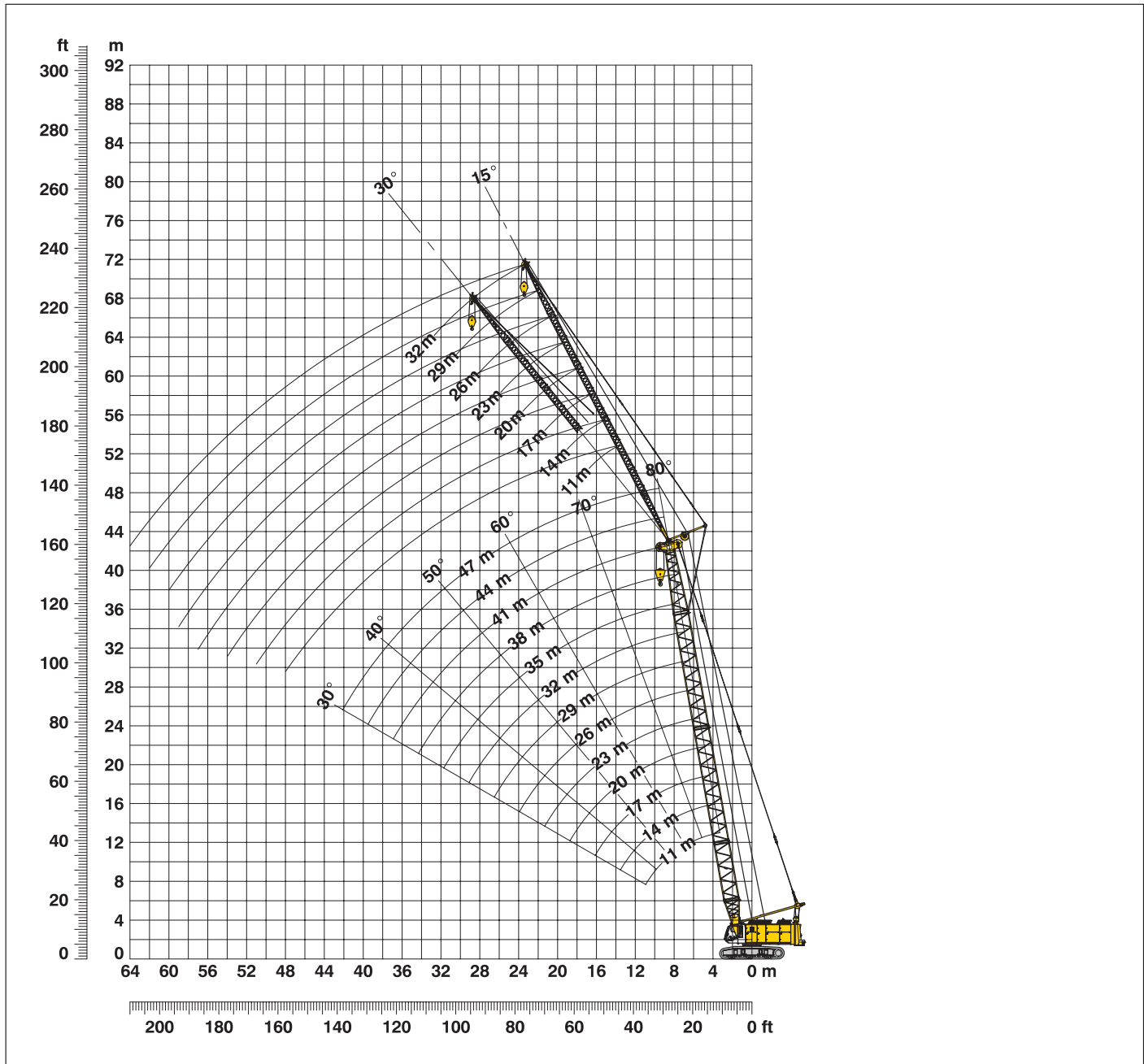
Configuration for boom lengths from 59 m – 74 m:

	Length	Amount of boom extensions					
Boom foot	4.0 m	1	1	1	1	1	1
Boom extension	3.0 m		1		1		1
Boom extension	6.0 m			1	1		
Boom extension	12.0 m	4	4	4	4	5	5
L – boom head	7.0 m	1	1	1	1	1	1
L – boom length in (m)		59	62	65	68	71	74



Working range - fixed jib (No. 0806.xx) 15° and 30°

Main boom 80°- 30°



Boom configuration for boom lengths (11 m - 47 m) – see table 1 on page 10

Fixed jib configuration for fixed jib lengths (11 m - 32 m)

	Length	Amount of fixed jib extensions							
Fixed jib foot	5.5 m	1	1	1	1	1	1	1	1
Fixed jib insert	3.0 m		1		1		1		1
Fixed jib insert	6.0 m	0	0	1	1	2	2	3	3
Fixed jib head	5.5 m	1	1	1	1	1	1	1	1
Fixed jib length (m)		11	14	17	20	23	26	29	32



Lift chart – fixed jib (No. 0806.xx)

Offset 15°

Main boom 11 m

Radius (m)	Fixed jib length in (m)			
	11	20	26	32
8.4	t	t	t	t
14	24.5	10.1		
18	15.2	8.9	6.1	
22	13.8	8.1	5.6	3.9
26		7.5	5.2	3.6
28		7.3	5.0	3.5
30		6.9	4.8	3.4
34			4.6	3.2
36			4.5	3.2
38				3.1
40				3.1
42				3.0

Main boom 17 m

Radius (m)	Fixed jib length in (m)			
	11	20	26	32
9.4	23.6	t	t	t
15	16.8	9.8		
19	15.6	8.8	6.0	
24	11.9	8.1	5.5	3.8
26	10.5	7.8	5.3	3.7
32		7.2	4.9	3.4
34		7.0	4.8	3.3
36		6.7	4.7	3.3
40			4.5	3.1
42			4.4	3.1
46				3.0
48				3.0

Main boom 23 m

Radius (m)	Fixed jib length in (m)			
	11	20	26	32
10.5	22.5	t	t	t
16	16.8	9.8		
20	15.1	9.0	6.1	
24	11.5	8.5	5.7	3.8
26	10.2	8.3	5.5	3.7
28	9.0	8.0	5.4	3.6
30	8.1	7.9	5.3	3.5
32	7.2	7.7	5.1	3.5
40		5.4	4.7	3.2
46			4.4	3.0
48				3.0
50				3.0

Main boom 29 m

Radius (m)	Fixed jib length in (m)			
	11	20	26	32
11.5	19.1	t	t	t
18	16.3	9.0		
22	12.7	8.6	5.7	
26	9.8	8.2	5.5	3.8
28	8.7	8.0	5.4	3.7
30	7.7	7.8	5.2	3.6
34	6.1	6.9	5.0	3.4
36	5.4	6.2	4.9	3.4
38	4.8	5.6	4.8	3.3
46		3.7	4.1	3.1
50			3.3	3.0
55				2.8

Main boom 35 m

Radius (m)	Fixed jib length in (m)			
	11	20	26	32
12.6	18.1	t	t	t
19	15.4	8.7		
22	12.3	8.5	5.6	
26	9.4	8.2	5.4	3.8
30	7.3	7.9	5.2	3.6
34	5.7	6.5	5.1	3.5
36	5.0	5.9	5.0	3.4
40	3.9	4.7	4.8	3.3
42	3.4	4.2	4.6	3.2
50		2.5	2.9	3.1
55			2.1	2.5
60				1.8

Main boom 38 m

Radius (m)	Fixed jib length in (m)			
	11	20	26	32
13.1	17.8	t	t	t
19	15.3	8.9		
24	10.5	8.4	5.7	
26	9.2	8.3	5.6	3.8
28	8.0	8.1	5.4	3.7
30	7.1	7.9	5.4	3.6
34	5.4	6.4	5.1	3.5
36	4.8	5.7	5.0	3.4
38	4.2	5.1	4.9	3.4
40	3.7	4.5	4.9	3.3
50		2.4	2.8	3.1
60			1.2	1.6

Main boom 41 m

Radius (m)	Fixed jib length in (m)			
	11	20	26	32
13.6	17.2	t	t	t
20	13.9	8.7		
24	10.3	8.4	5.6	
28	7.8	8.1	5.4	3.7
30	6.8	7.9	5.3	3.7
36	4.6	5.5	5.1	3.4
38	4.0	4.8	5.0	3.4
40	3.4	4.3	4.8	3.3
46	2.1	2.9	3.3	3.2
48	1.7	2.5	2.9	3.1
55		1.3	1.8	2.1
60			1.1	1.4

Main boom 44 m

Radius (m)	Fixed jib length in (m)			
	11	17	20	26
14.1	16.8	t	t	t
18	15.6	10.7		
20	13.5	10.5	8.3	
24	10.1	10.2	8.0	
28	7.6	8.4	7.8	
30	6.6	7.4	7.7	
34	5.0	5.7	6.0	
38	3.7	4.4	4.7	
40	3.2	3.8	4.1	
44	2.3	2.9	3.1	
50	1.2	1.7	1.9	
55			1.2	

Main boom 47 m

Radius (m)	Fixed jib length in (m)			
	11			
14.6	16.2	t	t	t
16	15.9			
18	15.3			
20	13.1			
26	8.5			
28	7.4			
30	6.4			
36	4.1			
38	3.5			
40	3.0			
46	1.7			
48	1.3			

Capacities in metric tons with fixed jib (No. 0806.xx) 32.5 t counterweight. Above lift chart is for reference only. For actual lift duty and complete chart with all available configurations please refer to lift chart in operator's cab or manual.



Lift chart - fixed jib (No. 0806.xx)

Offset 30°

Main boom 11 m

Radius (m)	Fixed jib length in (m)			
	11	20	26	32
11.1	t	t	t	t
19	16.7	7.8		
20	13.1	7.7		
22	12.6	7.3		
26	11.8	6.5	4.9	
28		6.2	4.7	
30		6.0	4.5	3.3
34			4.2	3.2
36			4.1	3.1
38				3.0
40				3.0
42				2.9

Main boom 17 m

Radius (m)	Fixed jib length in (m)			
	11	20	26	32
12.1	t	t	t	t
20	16.3	7.8		
26	13.6	6.9	5.0	
30	10.7	6.3	4.7	3.3
34		5.9	4.4	3.2
36		5.8	4.3	3.2
38			4.2	3.1
40			4.1	3.0
42			4.0	3.0
44				2.9
46				2.9
48				2.8

Main boom 23 m

Radius (m)	Fixed jib length in (m)			
	11	20	26	32
13.2	t	t	t	t
22	15.8	7.8		
26	13.5	7.3	5.1	
32	10.4	6.5	4.7	3.3
36	7.3	6.2	4.5	3.2
38		6.0	4.4	3.1
40		5.5	4.3	3.1
42			4.2	3.0
44			4.2	3.0
46			4.1	2.9
48				2.9
50				2.9

Main boom 29 m

Radius (m)	Fixed jib length in (m)			
	11	20	26	32
14.2	t	t	t	t
22	15.4	7.7		
28	13.2	7.0	5.0	
32	8.9	6.6	4.7	3.3
34	7.0	6.4	4.6	3.3
36	6.2	6.3	4.5	3.2
38	5.5	6.3	4.5	3.2
40	4.8	5.9	4.4	3.2
44		4.2	4.2	3.0
46		3.7	4.1	3.0
48			3.8	3.0
50			3.4	2.9
55				2.9

Main boom 35 m

Radius (m)	Fixed jib length in (m)			
	11	20	26	32
15.2	t	t	t	t
24	14.9	7.5		
28	11.2	7.1	5.0	
34	8.6	6.6	4.7	3.3
36	5.9	6.3	4.6	3.2
38	5.2	6.3	4.6	3.2
40	4.5	5.6	4.5	3.2
42	4.0	5.0	4.4	3.2
44	3.4	4.4	4.3	3.1
48		3.0	3.6	3.0
50		2.6	3.2	3.0
55			2.2	2.7
60				1.9

Main boom 38 m

Radius (m)	Fixed jib length in (m)			
	11	20	26	32
15.8	t	t	t	t
24	14.6	7.5		
30	11.0	7.0	4.9	
34	7.4	6.7	4.7	3.3
36	5.7	6.1	4.6	3.2
38	5.0	6.1	4.6	3.2
40	4.4	5.5	4.5	3.2
42	3.8	4.9	4.5	3.2
44	2.8	3.8	4.3	3.1
46	2.3	3.3	3.9	3.1
50		2.5	3.1	3.0
60			1.2	1.8
65				1.0

Main boom 41 m

Radius (m)	Fixed jib length in (m)			
	11	20	26	32
16.3	t	t	t	t
24	14.4	7.5		
30	10.9	7.2	4.9	
34	7.2	6.7	4.7	3.3
36	5.5	6.0	4.7	3.2
38	4.8	5.3	4.6	3.2
40	4.2	5.3	4.6	3.2
44	3.6	4.7	4.5	3.1
46	2.6	3.6	4.2	3.1
48	2.2	3.2	3.8	3.1
55	1.8	2.7	3.3	3.0
60		1.4	2.0	2.5
			1.2	1.7

Main boom 44 m

Radius (m)	Fixed jib length in (m)			
	11	20	23	26
16.8	t	t	t	t
26	14.2	7.2		
28	9.3	7.1	5.5	
30	8.1	7.0	5.5	4.8
34	5.3	6.6	5.4	4.7
36	4.6	5.8	5.3	4.6
40	4.6	5.8	5.3	4.6
44	3.4	4.5	4.9	4.5
46	2.4	3.5	3.8	4.1
48	2.0	3.0	3.3	3.6
50	1.2	2.2	2.5	2.8
55		1.3	1.6	1.8
60				1.0

Main boom 47 m

Radius (m)	Fixed jib length in (m)			
	11	14		
17.3	t	t		
20	13.9	11.2		
22	13.7	11.0		
24	12.0	10.9		
26	10.5	9.6		
30	9.1	9.6		
34	6.8	7.4		
38	5.1	5.6		
42	3.8	4.2		
46	2.7	3.1		
48	1.8	2.2		
50	1.4	1.8		
	1.0	1.4		

Capacities in metric tons with fixed jib (No. 0806.xx) 32.5 t counterweight. Above lift chart is for reference only. For actual lift duty and complete chart with all available configurations please refer to lift chart in operator's cab or manual.

