

# Krupp Hydraulic All-Terrain Crane 70 GMT-AT 80 ton Capacity



## Superstructure Specification

### Boom

38'0" - 122'0" 4 section full power boom  
Telescoping cycle:  
1. section 75 sec.  
2. section 75 sec.  
3. section 47 sec.  
High speed  
1. section 50 sec.  
2. section 45 sec.  
3. section 31 sec.

### \*) Jibs

33'0" swing-away lattice extension alternatively  
33'0" - 52'6" 2 stage off-set swing-away lattice extension

### Main Hoist

Axial piston motor with planetary gear and fail safe brake  
Single line pull max.: 13.700 lbs  
Single line speed max.: 330 ft./min.  
Drum diameter: 17"  
Rope diameter: 3/4"  
Rope length: 650 ft.

### \*) Auxiliary Hoist

Axial piston motor with planetary gear and fail safe brake  
Single line pull max.: 10.600 lbs  
Single line speed max.: 420 ft./min.  
Drum diameter: 13"  
Rope diameter: 5/8"  
Rope length: 570 ft.

### Hook Blocks

70 ton 7 sheaves  
\*) 30 ton 3 sheaves, 10 ton single sheave, 8 ton single hook

### Boom Elevation

Hydraulic cylinder with integral holding valve  
Boom angle from  $-1.4^{\circ}$  to  $+80^{\circ}$   
Elevation cycle: 90 sec.  
High speed: 50 sec.

### Swing Gear

Axial piston motor with planetary gear  
Holding and service brake  
Swing speed: 0 - 2.5 rpm variable

### Engine

6 cyl. Daimler Benz diesel OM 352A, water-cooled, 139 hp at 2300 rpm  
Tank capacity 50 gal. diesel

### Hydraulic system

3 separate circuits: 2 axial piston pumps with integrated infinitely variable speed and load control,  
1 axial piston pump  
Tank capacity: 250 gal. hydraulic oil  
\*) Hydraulic oil cooler for extreme working conditions

### Control system

Infinite variation of all crane motions by hydraulic pilot circuit, control levers with automatic dead man position

### Counterweight

2200 lbs permanently mounted  
\*) 15400 lbs, 24200 lbs

### Operator's cab

Full vision, all steel, safety glass, fully adjustable hydraulically suspended seat, engine coolant cab heater, complete instrumentation of engine and crane operating controls  
\*) Stationary diesel cab heater

### Safety installations

Anti two block and hoist rope lowering switch, lock valves, pressure relief valves  
\*) Electronic load moment safety device with automatic shut-off and digital display of actual and permissible load, radius and operating modes

\*) Optional items

## Carrier specification

### Chassis

Krupp heavy-duty 4-axle carrier, welded box-type frame from high tensile steel

### Engine

8 cyl. Daimler Benz diesel OM 422 A, water-cooled, 330 hp at 2300 rpm  
Tank capacity: 75 gal. diesel

### Transmission

Automatic gear box with torque converter  
MAN 2 speed transfer case with longitudinal differential lock

### Axles

1. drive/steer axle  
2. steering axle  
3. drive axle  
4. drive axle  
Drive axles with planetary gears  
Transverse differential lock on all drive axles  
\*) All wheel drive and steer

### Suspension

Parabolic leaf springs with hydraulic suspension lock-out

### Tyres

8 tyres 16.00 - 25  
\*) 20.5 - 25

### Steering

ZF semi-integral ball nut hydraulic power steering

### Brakes

Service brake:  
Pneumatic dual circuit brake system  
Front axles with disc brakes  
Rear axles with brake drums  
Permanent brake:  
Hydraulic retarder of automatic gear box  
Auxiliary brake:  
Pneumatically operated spring-loaded brake acting on 3. and 4. axle

### Driver's cab

Single cab, all steel, safety glass, adjustable hydraulically suspended driver's seat  
Engine coolant heating system  
Complete instrumentation and driving controls  
\*) Stationary diesel cab heater

### Outriggers

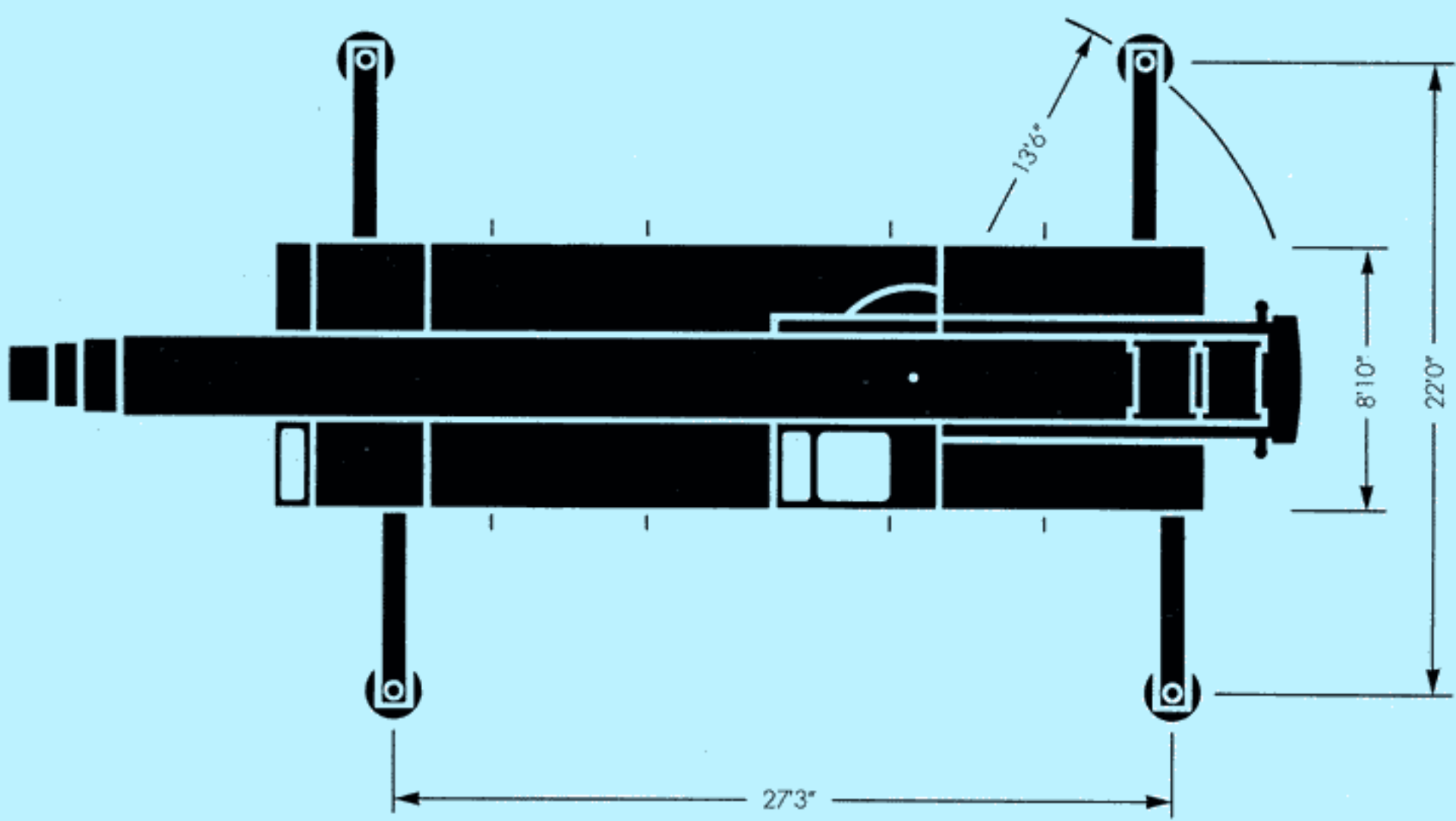
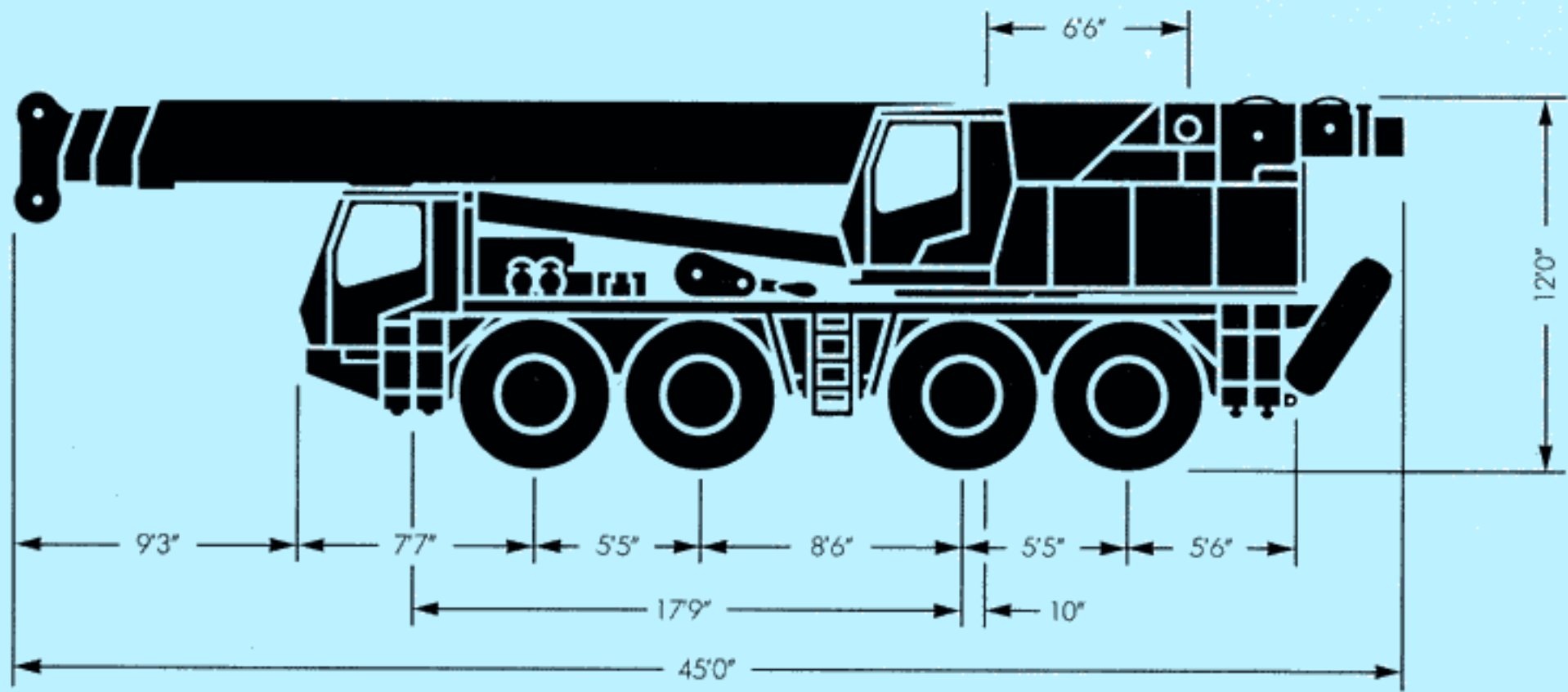
Independent horizontal and vertical motion of each beam, operated from crane cab and each side of chassis  
Sight level device

### Electrical equipment

Three phase alternator 28 V/55 A  
2 batteries 12 V/180 Ah  
Lights and control circuit 24 V

### Performance

road speed max. 47 mph, min. 0.1 mph  
Gradeability 60%, 51%, 45% dependent on counterweight turning radius: 45 ft, all wheel steer: 33 ft



# Lifting capacities in 1000 lbs

## 360° Main boom and swing-away lattice extension

Radius	Boom length									
	38'0"				66'0"*				93'6"	
	Hook height									
	42'0"				69'6"				97'0"	
(ft)	24.2	15.4	2.2	F	24.2	15.4	2.2	F	24.2	15.4
10**	160.0									
10	142.1	129.3	127.8	38.4						
11	134.6	118.3	116.1	36.2						
12	127.0	111.6	109.1	33.8	87.3			33.8		
13	119.3	105.7	103.6	31.8	87.3	79.4	79.4	31.8		
14	113.2	100.5	98.6	29.9	87.3	79.4	79.4	29.9		
15	107.3	95.5	93.6	28.3	87.3	79.4	79.4	28.3		
20	85.3	75.7	64.6	20.8	75.5	68.8	64.7	20.8	48.5	44.1
25	68.5	55.9	44.2	15.3	64.3	55.6	44.5	15.3	43.6	39.7
30	52.0	41.2	31.8	11.1	52.2	41.4	32.3	11.1	38.1	33.6
35					41.0	32.2	24.5	8.3	33.4	30.4
40					32.7	25.6	18.3	6.0	29.0	25.3
45					26.6	20.6	13.9	4.3	25.5	20.4
50					22.1	16.7	10.6		21.9	16.6
55					18.2	13.7	8.1		18.2	13.4
60									15.0	10.8
65									12.5	8.6
70									10.6	6.9
75									8.9	5.4
80									7.2	4.1
85										
90										
95										
100										
105										
110										
115										
120										

### Notes for lifting capacities

- \* 66'0" boom – section 1 and 2 equally extended
- \*) 117'0" boom – section 1 and 3 retracted by 2'6" ft each
- F free on wheels, plus/minus 10° over rear
- \*\* over rear only

Rated loads do not exceed 85% of tipping load with the machine properly levelled on firm ground.

360° duties on outriggers fully extended, except free on wheel duties as noted.

Note counterweight required as listed in relevant lifting capacity columns.

For safe crane operation due allowance must be made to compensate for high winds, side load, pendulum action and other hazardous conditions. No side pull permitted.

Length (ft)										Radius
122'0"			117'0" + 33'0" *)				122'0" + 33'0"			
Height max. (ft)										
125'0"			153'0"				158'0"			
Capacity in 1000 lbs										(ft)
2.2	24.2	15.4	2.2	24.2	15.4	2.2	24.2	15.4	2.2	10**
										10
										11
										12
										13
										14
										15
44.1										20
39.7		26.4	26.4							25
32.4	26.4	26.3	26.3	17.4	15.3	15.3				30
24.1	26.4	24.7	24.7	15.6	14.2	14.2	12.1	12.1	12.1	35
17.9	24.7	22.5	20.3	14.4	13.1	13.2	12.1	12.1	12.1	40
13.5	22.7	20.7	16.0	13.2	12.1	12.1	12.1	12.1	12.1	45
10.4	20.2	18.4	12.7	12.2	11.1	11.1	12.1	11.7	11.7	50
7.9	18.4	15.7	10.0	11.6	10.5	10.5	11.9	10.9	10.9	55
5.8	16.6	13.0	8.1	10.7	9.8	9.7	11.3	10.2	10.0	60
4.2	14.9	10.8	6.4	10.0	9.1	8.4	10.4	9.6	8.4	65
2.8	12.9	9.1	5.0	9.4	8.5	6.8	9.8	9.0	6.8	70
	11.2	7.6	3.8	8.9	8.0	5.6	9.3	8.4	5.6	75
	9.6	6.3	2.8	8.2	7.5	4.6	8.9	7.9	4.6	80
	8.2	5.1		7.7	6.9	3.6	8.0	6.9	3.6	85
	7.0	4.2		7.3	5.9	2.9	7.3	5.9	2.9	90
	5.8	3.3		6.8	5.1	2.2	6.8	5.1	2.2	95
	5.0	2.6		6.4	4.3		6.4	4.3		100
	4.2			5.5	3.5		5.5	3.5		105
	3.4			4.8	3.0		4.8	2.9		110
				4.1	2.4		4.1	2.4		115
				3.2			3.2			120

Hook block and slings and/or boom attachments are considered part of the load and their weight must be deducted from the rated lifting capacity to determine the net load.

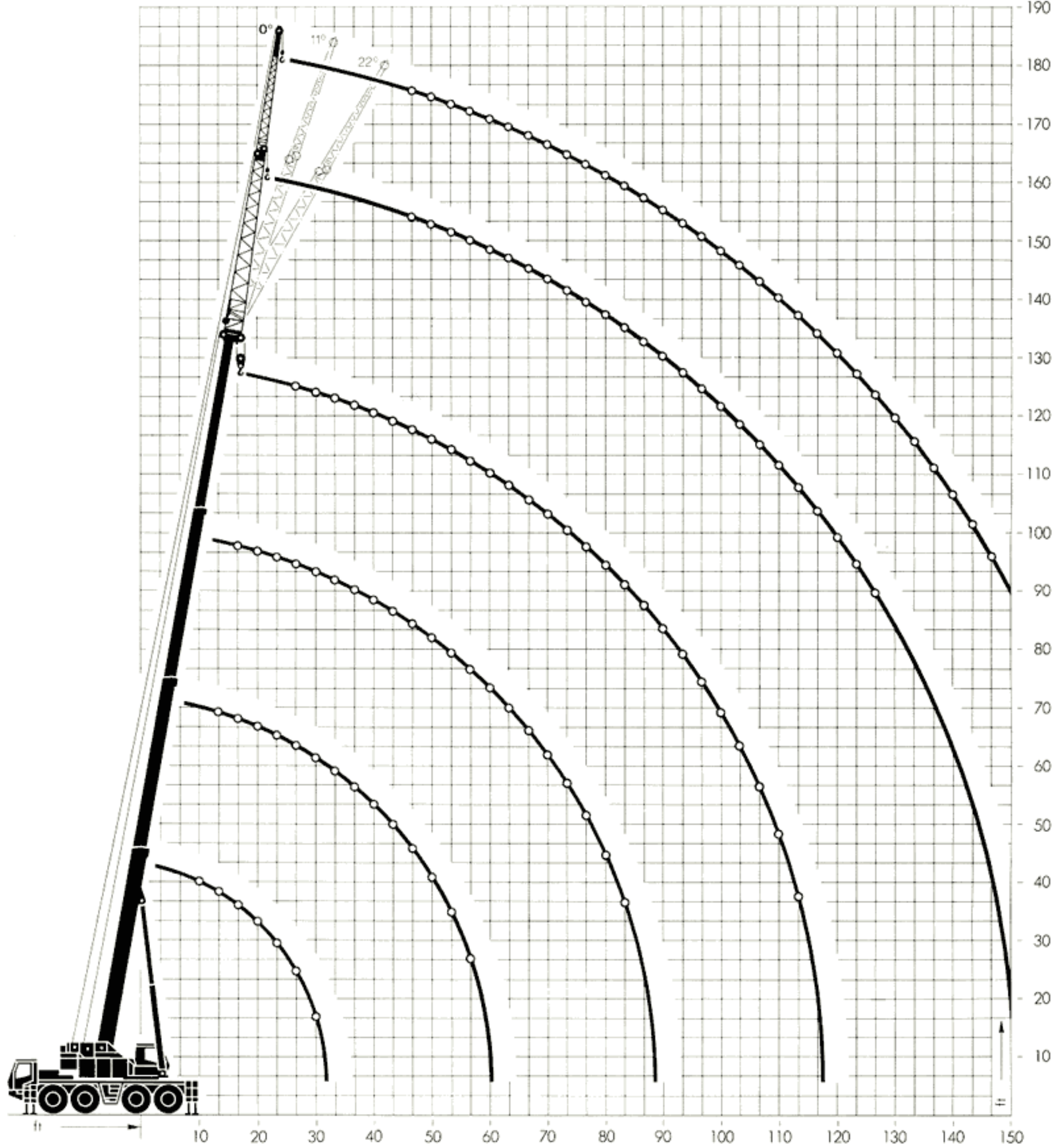
Boom must be fully extended when lifting with the swing-away extension.

Consult crane manual to determine weight reduction for load handling devices and boom attachments.

Operate crane strictly in accordance with operator's manual.

# Hook elevation diagram

Main boom + 2-stage off-set lattice extension



# Lifting capacities in 1000 lbs on outriggers

360° Main boom with 33'0" – 52'6"

2-stage off-set swing away lattice extension

Radius  (ft)	Boom length (ft)					
	122'0" + 33'0" = 155'0"			122'0" + 52'6" = 174'6"		
	Hook height max. (ft)					
	158'0"	157'0"	155'0"	178'0"	176'0"	172'0"
	Off-set angle					
	0°	11°	22°	0°	11°	22°
30	12.1					
35	12.1					
40	12.1	12.1		8.1		
45	12.1	12.0	11.1	8.1	8.1	
50	12.1	11.3	10.3	8.1	8.1	
55	11.9	10.5	9.5	8.1	7.8	6.9
60	11.3	9.8	9.0	7.8	7.4	6.5
65	10.5	9.1	8.6	7.5	7.1	6.2
70	9.8	8.7	8.0	7.2	6.8	5.9
75	9.3	8.0	7.5	6.9	6.4	5.5
80	8.9	7.7	7.2	6.5	6.1	5.2
85	8.0	7.3	6.9	6.2	5.7	4.9
90	7.4	6.9	6.5	5.8	5.2	4.7
95	6.9	6.6	6.2	5.5	4.8	4.5
100	6.4	6.3	5.9	5.3	4.6	4.3
105	5.5	5.5	5.7	5.0	4.4	4.1
110	4.9	4.9	5.1	4.7	4.2	3.9
115	4.2	4.2	4.4	4.4	4.1	3.7
120	3.3	3.3	3.8	3.8	3.8	3.5
125				3.2	3.5	3.4
130				2.7	2.9	3.1
135				2.4	2.4	2.8
140				1.9	2.0	2.2










Counterweight 24250 lbs

## Hooks

Capacity	ton	70	30	10	8
Sheaves		7	3	1	0
Distance H	ft	6'0"	6'0"	5'3"	6'9"
Weight	ton	0.9	0.4	0.22	0.3

# Krupp Hydraulic Mobile Cranes

## Product Range

Truck Cranes		Max. lifting capacity	Max. hook height
100 GMT		120 ton	220 ft*
180 GMT		250 ton	320 ft*
250 GMT		365 ton	345 ft*
350 GMT		450 ton	365 ft*
500 GMT		600 ton	430 ft*
<b>All-Terrain Cranes</b>			
25 GMT-AT		25 ton	122 ft
35 GMT-AT		35 ton	129 ft
70 GMT-AT		80 ton	178 ft
140 GMT-AT		165 ton	296 ft*

\* incl. power luffing jib

**Krupp Industries Inc.**  
 1370 Washington Pike  
 Bridgeville, Pa. 15017/USA

Telephone (4 12) 221-7041  
 Telex 6818083  
 Telefax (4 12) 221-7684

Subject to technical modifications without notice