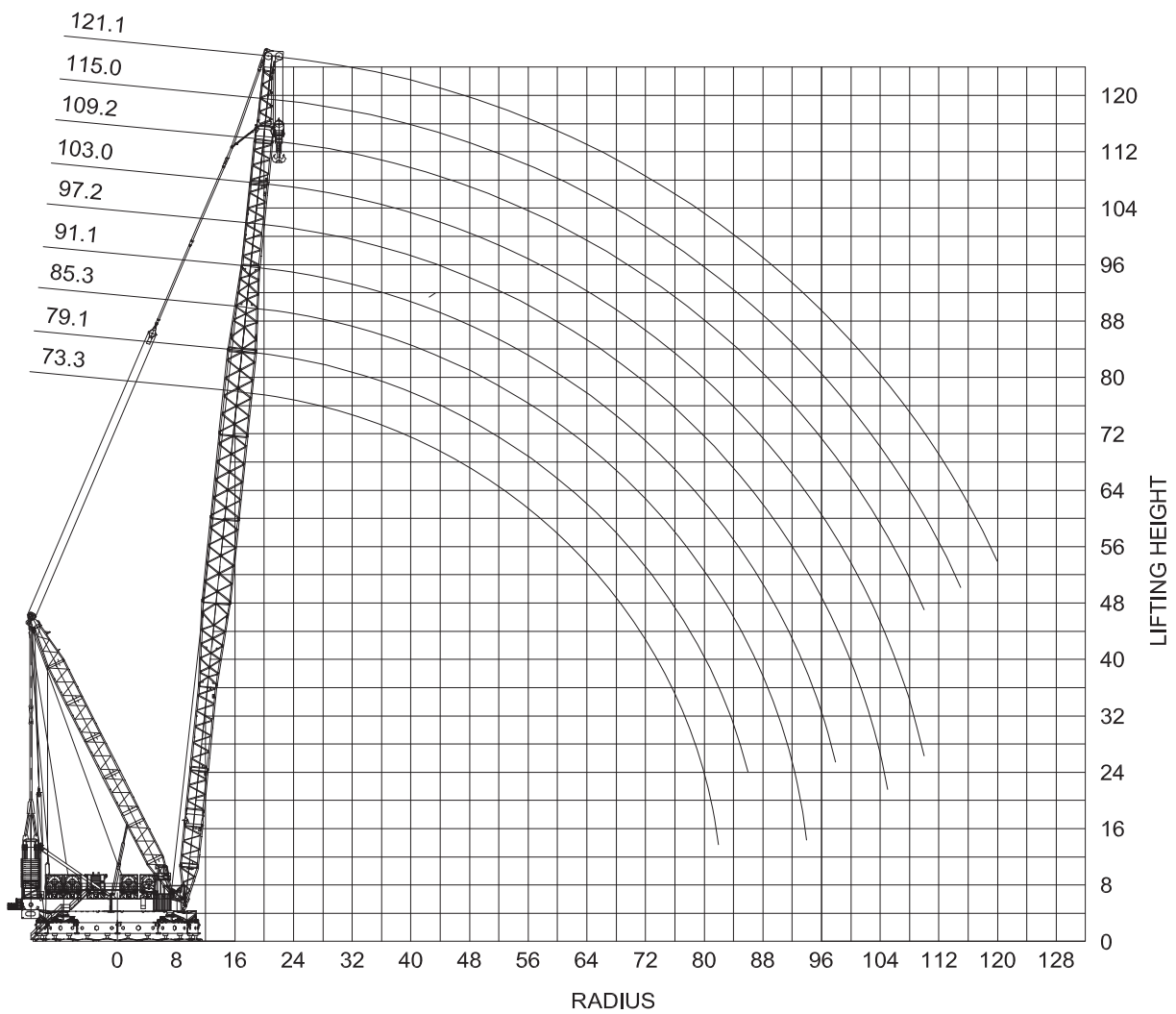
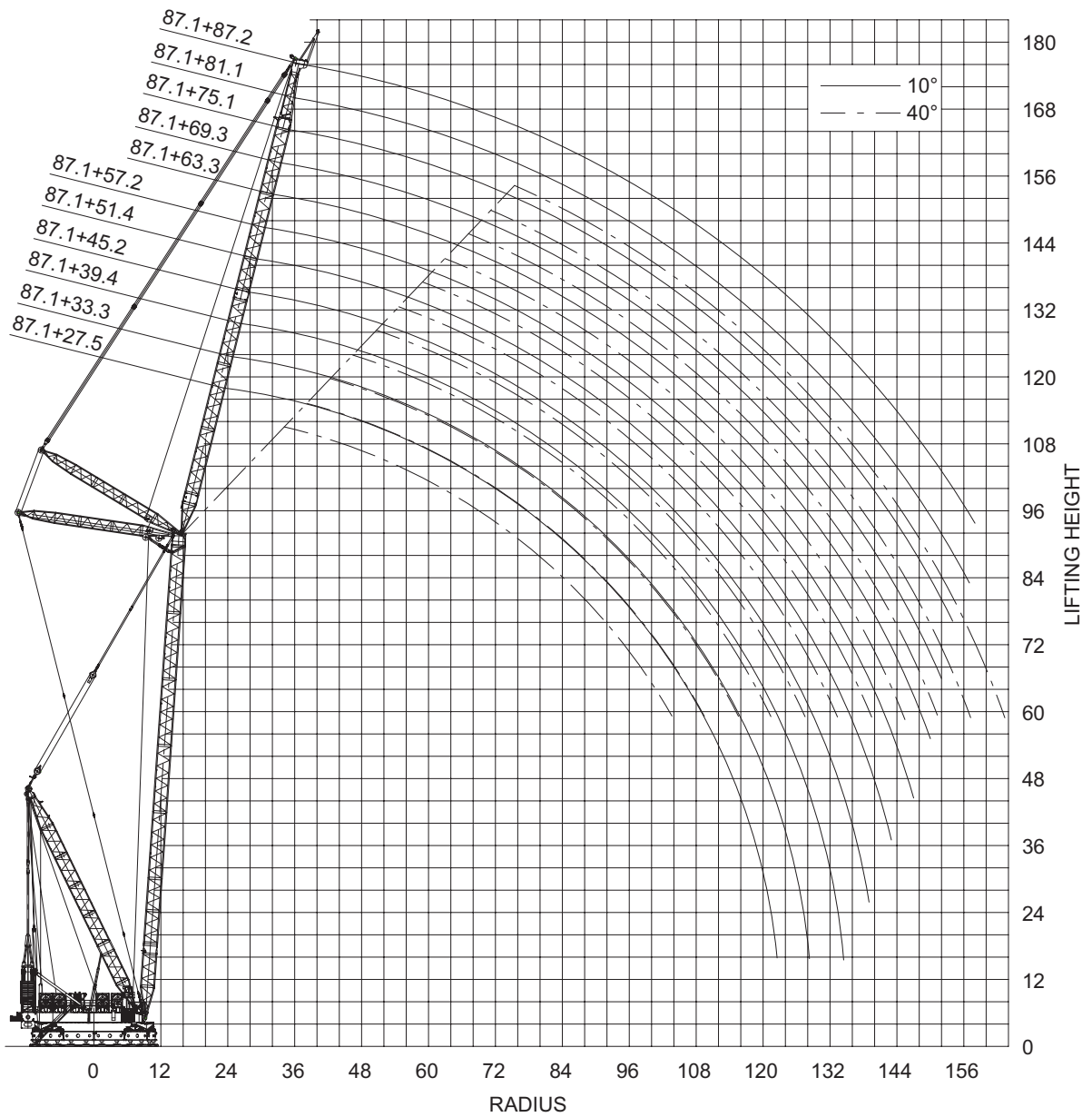


Dimensions are in millimeters.
The content in this document is mentioned for reference use only. Values may differ from current data. Always contact Mammoet for current project calculations.



Dimensions are in meters.
 The content in this document is mentioned for reference use only. Values may differ from current data. Always contact Mammoet for current project calculations.

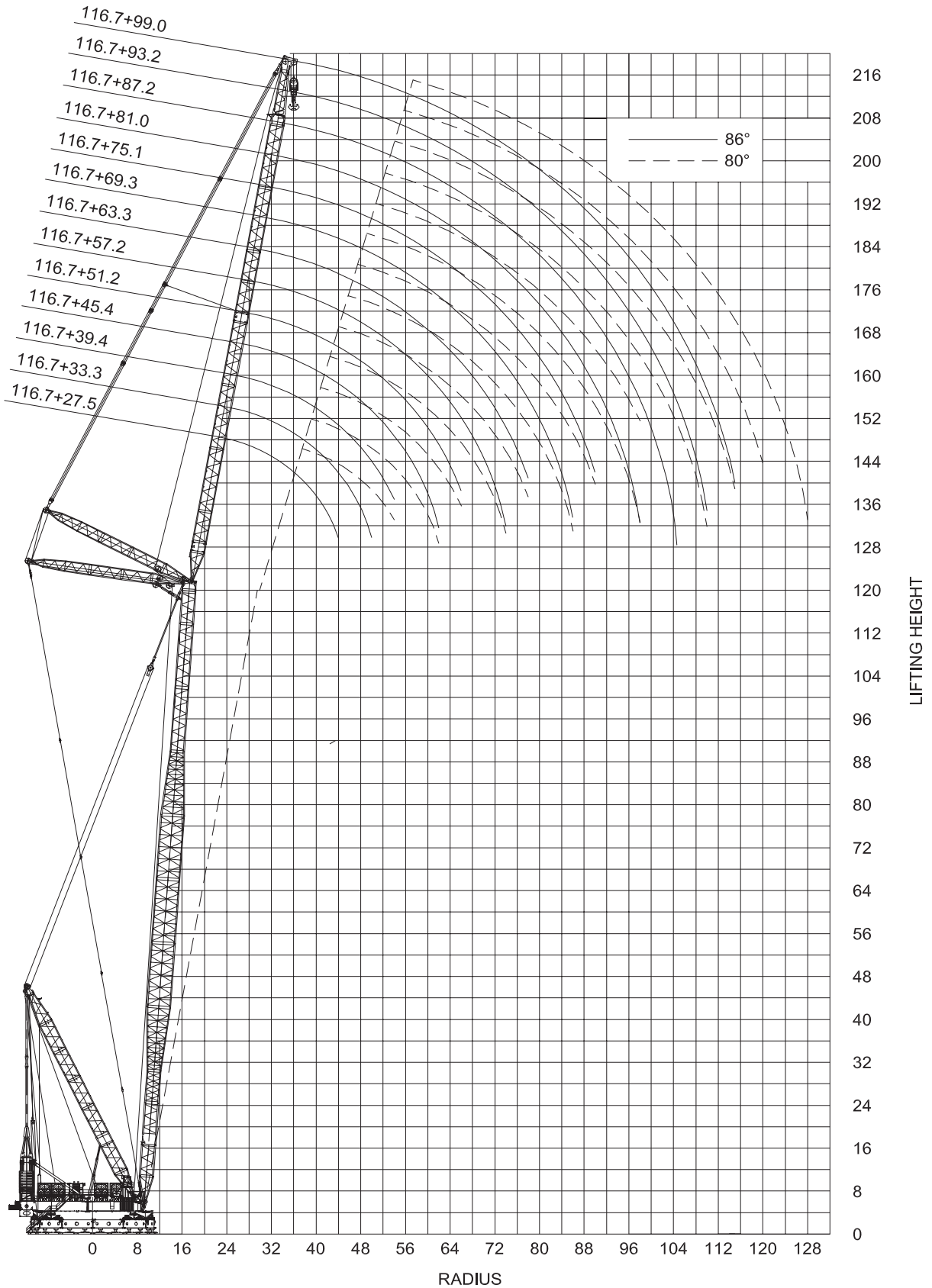


Dimensions are in meters.
The content in this document is mentioned for reference use only. Values may differ from current data. Always contact Mammoet for current project calculations.

Boom length (m)	Jib length (m)	Radius (m)																																								
		22	26	30	34	38	42	46	50	54	58	62	66	70	74	78	82	86	90	94	98	105	110	115	120	125	130	135	140	145	150	155	160	165	170	175						
110.9	27.5		898	827	766	715	666	611	549	498	457	413	375	342	311	284	259	236	215	195	176	146	126	106	87	64	48	32	14													
	33.3			800	740	690	582	598	541	486	445	409	372	340	311	284	259	237	217	197	179	150	131	112	94	76	54	38	23	6												
	39.4			774	715	665	621	503	532	476	435	410	384	351	321	294	269	246	225	206	188	158	138	120	102	85	69	44	29	16												
	45.4			755	698	647	604	566	433	483	435	393	366	346	318	292	268	247	227	207	190	162	143	125	108	92	76	60	35	23	10											
	51.2				676	628	585	547	514	375	428	386	349	323	306	287	265	244	225	206	189	162	144	127	110	94	80	64	50	36	13											
	57.2				659	611	569	532	498	464	325	382	346	314	286	271	260	243	224	206	190	164	146	129	114	99	85	70	57	43	29	7										
	63.3				639	592	551	515	482	451	414	274	339	308	281	256	238	228	219	203	187	162	146	130	114	100	86	73	60	47	34	21										
	69.3				570	536	501	469	440	407	369	247	234	226	220	213	210	193	181	177	136	119	105	90	78	65	54	43	32	22	12	2										
	75.1				421	410	400	390	381	373	363	342	221	206	200	194	202	195	176	167	136	120	105	90	78	65	54	43	32	22	12	2	7.2									
	81				348	338	329	321	313	305	298	291	284	201	183	177	193	193	168	156	135	119	104	90	78	65	54	44	33	23	14	5	13									
87.2					253	246	238	232	226	220	214	208	203	157	143	165	184	157	140	131	115	101	87	75	63	52	42	32	22	13	4	15										
93.2					208	201	194	188	183	177	172	167	162	158	120	127	146	127	109	129	113	99	86	74	62	51	41	31	22	13	5	18	8.6									
99						148	143	137	133	128	124	119	116	112	109	73	74	82	87	66	64	60	58	54	50	46	42	38	35	30	21	18	9									
116.7	27.5		759	699	645	599	560	524	491	462	430	390	359	337	312	284	258	234	212	192	173	146	125	106	89	71	49	35	5													
	33.3			675	622	577	482	503	472	444	417	385	348	322	305	283	258	236	216	196	177	148	130	111	94	77	61	39	26	2												
	39.4			652	600	556	518	426	453	426	401	374	343	312	290	276	257	235	215	197	179	151	132	115	98	82	67	51	30	17												
	45.4			632	582	538	502	468	382	411	387	364	338	308	282	264	251	236	216	198	181	154	136	119	103	88	73	59	44	22	10											
	51.2				564	522	485	451	422	344	372	350	329	303	276	254	240	227	214	196	180	154	137	120	105	90	75	62	49	35	22											
	57.2				549	507	471	438	409	383	316	296	282	267	254	242	231	214	189	180	172	132	115	100	86	73	61	49	38	27	17	6										
	63.3				535	494	458	426	397	372	349	283	265	255	242	230	219	210	190	177	171	132	116	101	87	74	61	49	38	27	17	7	8.8									
	69.3				481	445	414	386	360	337	317	255	234	227	220	210	204	188	173	166	131	115	100	86	74	62	50	40	28	19	9	14										
	75.1				422	411	396	373	348	326	306	287	227	207	200	195	197	184	167	159	127	112	97	83	71	59	48	38	28	18	9	17										
	81					339	330	322	314	306	294	278	261	205	183	178	187	181	162	153	126	110	96	83	71	59	48	38	28	19	9	2	10									
87.2					254	246	239	233	227	221	215	210	204	163	144	166	176	150	137	122	107	92	80	68	56	46	35	26	17	8	21	11										
93.2					209	202	195	189	184	178	173	169	164	160	126	136	148	121	96	119	104	91	78	66	55	44	35	25	16	8	23	14										
99						149	143	138	134	129	125	120	117	113	109	106	86	99	96	90	87	83	73	62	51	45	42	40	38	31	22	13	5.2									

t = metric tons.

The content in this document is mentioned for reference use only. Values may differ from current data. Always contact Mammoet for current project calculations.



Dimensions are in meters.
 The content in this document is mentioned for reference use only. Values may differ from current data. Always contact Mammoet for current project calculations.

