

**AMERICAN**<sup>®</sup>**900 SERIES  
MODEL 9310  
CRAWLER CRANE**

with 92H Boom

**LIFTING CAPACITIES**

With 92H Tubular Boom and "S-S" Counterweight (135,000 Lbs.)

Boom Length (Feet)	Radius In Feet	Boom Angle Degrees	Side Frames Retracted	Side Frames Extended	Ft. From Boom Point	Min. Load Line
70 feet	17	81.4	-	450,000	76	12
	20	78.9	-	336,000	75	9
	25	74.7	195,030	230,290	74	6
	30	70.4	149,870	174,180	73	5
	35	65.9	121,150	139,460	71	4
	40	61.3	101,290	115,870	68	3
	50	51.3	75,360	85,630	61	3
	60	39.5	59,400	67,270	51	2
70	23.2	48,420	54,790	34	2	
80 feet	18	81.8	-	410,180	86	11
	20	80.3	-	335,940	86	9
	25	76.6	194,860	230,190	85	6
	30	72.9	149,670	174,030	83	5
	35	69.1	120,950	139,300	81	4
	40	65.2	101,090	115,710	79	3
	50	56.9	75,160	85,440	74	3
	60	47.7	59,210	67,090	66	2
70	36.8	48,250	54,630	55	2	
80	21.6	40,280	45,630	36	2	
90 feet	20	81.4	-	335,790	96	9
	25	78.2	194,600	229,980	95	6
	30	74.9	149,400	173,790	94	5
	35	71.5	120,670	139,050	92	4
	40	68.1	100,820	115,460	90	3
	50	61.0	74,870	85,180	85	3
	60	53.3	58,940	66,840	79	2
	70	44.8	47,970	54,360	70	2
80	34.6	40,020	45,370	58	2	
90	20.3	34,050	38,650	38	1	
100 feet	21	81.7	254,420	307,580	106	8
	25	79.4	194,320	229,760	105	6
	30	76.4	149,100	173,530	104	5
	35	73.4	120,370	138,780	103	4
	40	70.4	100,530	115,200	101	3
	50	64.2	74,560	84,890	97	3
	60	57.5	58,660	66,580	91	2
	70	50.4	47,690	54,090	84	2
	80	42.3	39,740	45,100	74	2
	90	32.7	33,830	38,440	61	1
100	19.2	29,050	33,090	40	1	
110 feet	22	81.9	236,080	283,580	116	7
	25	80.3	194,010	229,500	115	6
	30	77.7	148,770	173,240	114	5
	35	75.0	120,040	138,480	113	4
	40	72.3	100,210	114,900	112	3
	50	66.7	74,220	84,570	108	3
	60	60.8	58,340	66,270	103	2
	70	54.6	47,370	53,780	96	2
	80	47.8	39,420	44,790	88	2
	90	40.2	33,550	38,170	78	1
100	31.1	28,780	32,830	64	1	
110	18.2	24,930	28,530	41	1	

Boom Length (Feet)	Radius In Feet	Boom Angle Degrees	Side Frames Retracted	Side Frames Extended	Ft. From Boom Point	Min. Load Line
120 feet	24	81.6	205,860	244,730	125	7
	25	81.2	193,730	229,260	125	6
	30	78.7	148,470	172,980	124	5
	35	76.3	119,740	138,200	123	4
	40	73.8	99,930	114,640	122	3
	50	68.7	73,920	84,280	119	3
	60	63.5	58,060	66,000	114	2
	70	58.0	47,080	53,500	108	2
	80	52.1	39,130	40,520	101	2
	90	45.7	33,290	37,920	93	1
	100	38.4	28,540	32,600	81	1
	110	29.7	24,700	28,310	66	1
120	17.4	21,530	24,780	43	1	
130 feet	25	81.8	193,380	228,960	135	6
	30	79.6	148,110	172,650	135	5
	35	77.3	119,390	137,880	134	4
	40	75.1	99,590	114,310	132	3
	50	70.4	73,560	83,930	129	3
	60	65.7	57,710	65,660	125	2
	70	60.7	46,720	53,160	120	2
	80	55.5	38,770	44,160	114	2
	90	49.9	32,960	37,600	106	2
	100	43.8	28,210	32,280	97	1
	110	36.8	24,380	28,000	85	1
	120	28.5	21,230	24,480	69	1
130	16.7	18,570	21,530	44	1	
140 feet	27	81.6	172,290	202,580	145	5
	30	80.4	147,730	172,310	145	5
	35	78.3	119,000	137,520	144	4
	40	76.2	99,200	113,950	143	3
	50	71.9	73,150	83,550	140	3
	60	67.5	57,320	65,290	136	2
	70	63.0	46,340	52,790	131	2
	80	58.3	38,380	43,780	126	2
	90	53.3	32,600	37,250	119	1
	100	47.9	27,860	31,930	111	1
	110	42.1	24,020	27,650	101	1
	120	35.4	20,870	24,130	88	1
130	27.4	18,230	21,190	71	1	
140	16.1	15,970	18,690	46	1	
150 feet	28	81.8	162,950	191,130	155	5
	30	81.0	147,350	171,970	155	5
	35	79.1	118,630	137,180	154	4
	40	77.1	98,830	113,610	153	3
	50	73.1	72,770	83,180	150	3
	60	69.1	56,940	64,930	147	2
	70	64.9	45,950	52,410	143	2
	80	60.6	38,000	43,410	137	2
	90	56.1	32,240	36,900	131	1
	100	51.3	27,500	31,580	124	1
	110	46.2	23,670	27,300	115	1

(Continued)





# LIFTING CAPACITIES (cont.)

With 92H Boom

Boom Length (Feet)	Radius In Feet	Boom Angle Degrees	Side Frames Retracted	Side Frames Extended	Ft. From Boom Point	Min. Load Line	
230 feet	39	81.9	99,340	114,110	234	3	
	40	81.6	95,810	110,750	234	3	
	50	79.1	70,090	80,620	233	2	
	60	76.6	53,840	61,920	230	2	
	70	74.0	42,800	49,340	228	2	
	80	71.4	34,790	40,270	225	2	
	90	68.7	29,220	33,930	221	1	
	100	66.0	24,460	28,590	217	1	
	110	63.2	20,630	24,300	212	1	
	120	60.4	17,470	20,780	207	1	
	130	57.5	14,840	17,840	201	1	
	140	54.5	12,590	15,350	194	1	
	150	51.3	10,660	13,210	186	1	
	160	48.0	8,990	11,350	178	1	
	170	44.6	7,520	9,720	168	1	
	180	40.9	6,220	8,290	157	1	
	190	36.9	5,070	7,020	145	1	
	290	32.4	4,030	5,870	130	1	
	210	27.4	-	4,850	113	1	
	220	21.2	-	3,930	90	1	
240 feet	40	82.0	95,410	110,380	244	3	
	50	79.6	69,700	80,250	243	2	
	60	77.1	53,440	61,530	241	2	
	70	74.7	42,380	48,930	238	2	
	80	72.2	34,370	39,850	235	2	
	90	69.6	28,820	33,540	232	1	
	100	67.1	24,060	28,190	228	1	
	110	64.4	20,220	23,900	223	1	
	120	61.7	17,060	20,380	218	1	
	130	59.0	14,420	17,430	212	1	
	140	56.1	12,180	14,940	206	1	
	150	53.2	10,250	12,800	199	1	
	160	50.2	8,570	10,940	191	1	
	170	46.9	7,100	9,310	182	1	
	180	43.6	5,810	7,880	172	1	
	190	40.0	4,650	6,600	161	1	
	200	36.0	3,620	5,460	148	1	
	210	31.7	-	4,430	133	1	
	220	26.8	-	3,510	115	1	
	250 feet	42	81.8	88,540	102,390	254	3
50		80.0	69,310	79,870	253	2	
60		77.6	53,040	61,140	251	2	
70		75.3	41,970	48,520	249	2	
80		72.9	34,500	39,990	246	1	
90		70.5	28,420	33,140	242	1	
100		68.0	23,650	27,790	230	1	
110		65.5	19,810	23,500	234	1	
120		63.0	16,650	19,970	229	1	
130		60.4	14,010	17,030	224	1	
140		57.7	11,770	14,540	218	1	
150		54.9	9,840	12,390	211	1	
160		52.0	8,160	10,530	204	1	
170		49.1	6,690	8,910	196	1	
180		45.9	5,390	7,470	186	1	
190		42.6	4,240	6,200	176	1	
200		39.1	-	5,050	164	1	
210		35.3	-	4,020	151	1	
260 feet		43	81.9	85,180	98,530	264	3
		50	80.4	68,920	79,490	263	2
	60	78.1	52,630	60,750	261	2	
	70	75.9	41,550	48,120	259	2	
	80	73.6	34,100	39,610	256	1	
	90	71.3	28,020	32,760	253	1	
	100	68.9	23,240	27,390	249	1	
	110	66.5	19,400	23,090	245	1	
	260 feet (cont.)	120	64.1	16,250	19,580	241	1
		130	61.6	13,610	16,630	235	1
		140	59.1	11,360	14,130	230	1
150		56.5	9,430	11,990	223	1	
160		53.8	7,750	10,120	216	1	
170		51.0	6,280	8,500	209	1	
180		48.0	4,980	7,060	200	1	
190		45.0	3,820	5,780	191	1	
200		41.8	-	4,640	180	1	
210		38.3	-	3,610	168	1	
270 feet		45	81.8	79,300	91,750	274	3
	50	80.7	68,510	79,100	273	2	
	60	78.6	52,210	60,340	271	2	
	70	76.4	41,120	47,700	269	2	
	80	74.2	33,690	39,200	267	1	
	90	72.0	27,600	32,340	264	1	
	100	69.7	22,830	26,990	269	1	
	110	67.4	18,990	22,690	256	1	
	120	65.1	15,830	19,160	252	1	
	130	62.8	13,180	16,210	247	1	
	140	60.3	10,930	13,710	241	1	
150	57.9	9,000	11,570	235	1		
160	55.3	7,320	9,700	229	1		
170	52.7	5,850	8,070	221	1		
180	49.9	4,550	6,630	213	1		
190	47.1	3,400	5,350	205	1		
200	44.1	-	4,210	195	1		
280 feet	46	81.9	77,040	79,070	284	2	
	50	81.1	68,150	78,070	283	2	
	60	79.0	51,830	59,970	282	2	
	70	76.9	40,740	47,320	279	2	
	80	74.8	33,330	38,850	277	1	
	90	72.6	27,240	31,990	274	1	
	100	70.5	22,470	26,330	271	1	
	110	68.3	18,610	22,310	267	1	
	120	66.1	15,450	18,780	263	1	
	130	63.8	12,800	15,830	258	1	
	140	61.5	10,560	13,340	253	1	
150	59.1	8,620	11,190	247	1		
160	56.7	6,940	9,320	241	1		
170	54.2	5,470	7,700	234	1		
180	51.6	4,180	6,260	226	1		
190	49.0	-	4,980	218	1		
200	46.2	-	3,830	209	1		
290 feet	47	82.0	74,270	78,270	294	2	
	50	81.4	67,750	76,380	293	2	
	60	79.4	51,430	59,580	292	2	
	70	77.4	40,330	46,920	290	2	
	80	75.3	32,930	38,460	287	1	
	90	73.3	26,830	31,580	284	1	
	100	71.2	22,050	26,220	281	1	
	110	69.1	18,200	21,910	278	1	
	120	66.9	15,040	18,380	274	1	
	130	64.8	12,390	15,420	269	1	
	140	62.6	10,140	12,920	264	1	
150	60.3	8,200	10,770	259	1		
160	58.0	6,530	8,910	253	1		
170	55.6	5,050	7,280	246	1		
180	53.2	3,750	5,840	239	1		
190	50.7	-	4,560	231	1		
200	48.1	-	-	222	1		
210	45.3	-	-	213	1		
220	42.5	-	-	203	1		



# CRANE RATING DATA

Load ratings are in pounds and do not exceed 75% of the load which would cause tipping with crane standing level on firm uniformly supporting surface. Safe loads depend on ground conditions, boom lengths, radius of operation, and proper handling, all of which must be taken into consideration by user.

'Radius in feet' is the horizontal distance at crane base level from center of rotation to a vertical line through the center of gravity of the suspended load.

Lifting is approved only in those areas for which ratings are shown in the rating chart. Blocks, slings, buckets, and other load carrying devices are considered part of the load. Retractable A-frame must be in fully raised position for all ratings. Ratings in shaded areas are limited by strength of material, or factors other than stability.

Main load line is 1-1/8 inch diameter with a minimum breaking strength of 143,000 pounds. Boom suspension line is 7/8 inch diameter with a minimum breaking strength of 79,600 pounds. Boom suspension pendants are 1-3/8 inch diameter with a minimum breaking strength of 79,600 pounds. Boom suspension pendants are 1-3/8 inch diameter with a minimum breaking strength of 211,000 pounds.

Boom and jib erection is over the long end of the machine with idler tumblers blocked and with "Lift Rating" counterweight.

Designed and rated to comply with ANSI Code B30.5.

## LOAD HOISTING DATA

Maximum Lifting Capacity - Lbs.	Minimum Pts. of Line	Maximum Hoisting Distance *	
		Main - R.H.	Auxiliary - L.H.
450,000	12	95'	35'
449,427	11	103'	38'
408,570	10	114'	42'
367,710	9	126'	46'
326,850	8	142'	52'
285,990	7	163'	60'
245,140	6	190'	70'
204,280	5	228'	84'
163,420	4	285'	105'
122,570	3	380'	140'
81,710	2	571'	211'
40,850	1	1142'	422'

\*Based on 1-1/8" diameter rope.

## 92H BOOM COMPOSITION

Boom Length (Feet)	30 Ft. 92H Inner	20 Ft. 92H Center	10 Ft. 92H Center	50 Ft. 92H Center	40 Ft. 92H Outer
70	1	-	-	-	1
80	1	-	1	-	1
90	1	1	-	-	1
100	1	1	1	-	1
110	1	1	2	-	1
120	1	-	-	1	1
130	1	-	1	1	1
140	1	1	-	1	1
150	1	1	1	1	1
160	1	1	2	1	1
170	1	-	-	2	1
180	1	-	1	2	1
190	1	1	-	2	1
200	1	1	1	2	1
210	1	1	2	2	1
220	1	-	-	3	1
230	1	-	1	3	1
240	1	1	-	3	1
250	1	1	1	3	1
260	1	1	2	3	1
270	1	-	-	4	1
280	1	-	1	4	1
290	1	1	-	4	1

## BOOM AND JIB ERECTION

92H Boom Length	Maximum Jib Length			
	No. 9	No. 9HL	No. 15	No. 16HL
290'	0'	0'	0'	0'
280'	30'	50'	30'	40'
270'	50'	80'	50'	90'
260'	50'	80'	50'	100'

## \*GROUND PRESSURE

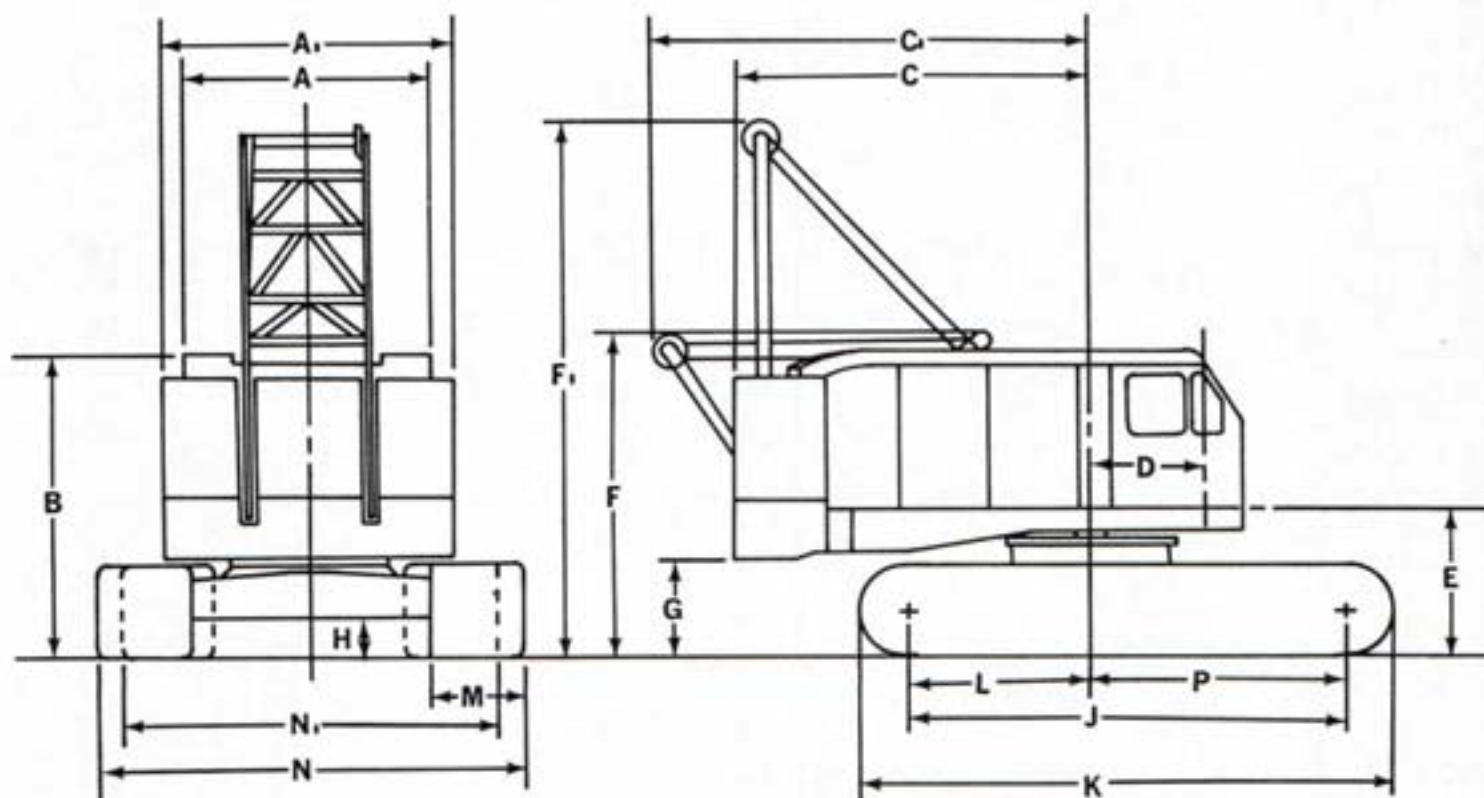
With Basic 92H Boom and 50" Shoes. . . . . 12.0 PSI

\*Based on gross machine weight equally distributed over ground bearing area.

NOTE: In accordance with varying material situations and the Company's policy of constant product improvement these specifications subject to change without notice and without incurring responsibility to units previously sold.



# AMERICAN MODEL 9310 CRAWLER CRANE



## GENERAL DIMENSIONS

A.	Width of cab	11' 0"	H.	Minimum ground clearance under crawler base	1' 9"
A <sub>1</sub> .	Width over counterweight	13' 2"	J.	Center to center crawler tumblers	24' 2"
B.	Height over cab	13' 7-1/8"	K.	Overall length of crawlers	28' 2"
C.	Tailswing	17' 0"	L.	Center of rotation to center of drive tumbler	11' 0-1/4"
C <sub>1</sub> .	Tailswing with A-frame, Lowered	24' 9"	P.	Center of rotation to center of idler tumbler	13' 1-3/4"
D.	Center of pivot to center of boom foot	5' 0-3/4"	M.	Width of tread shoes	50"
E.	Ground to center boom foot	6' 9-1/8"	N.	Overall width over crawlers—	
F.	Height over A-frame, Lowered-Ctwt. On	14' 8-5/8"	Extended	21' 1"	
F.	Height over A-frame, Lowered-Ctwt. Off	14' 9-7/8"	N <sub>1</sub> .	Overall width over crawlers—	
F <sub>1</sub> .	Height over A-frame, Raised	30' 3-5/8"	Retracted	18' 7"	
G.	Ground to bottom of counterweight	4' 5-3/8"			

## PERFORMANCE

TRAVEL SPEED:	0.8 MPH
SWING SPEED:	2.28 RPM
SINGLE LINE SPEED:	
Crane Hoist	165 FPM
Third Drum	192 FPM
or	142 FPM
LINE PULL:	
Crane Hoist	40,000 lbs. SLP
Third Drum	15,000 lbs. SLP
or	21,000 lbs. SLP

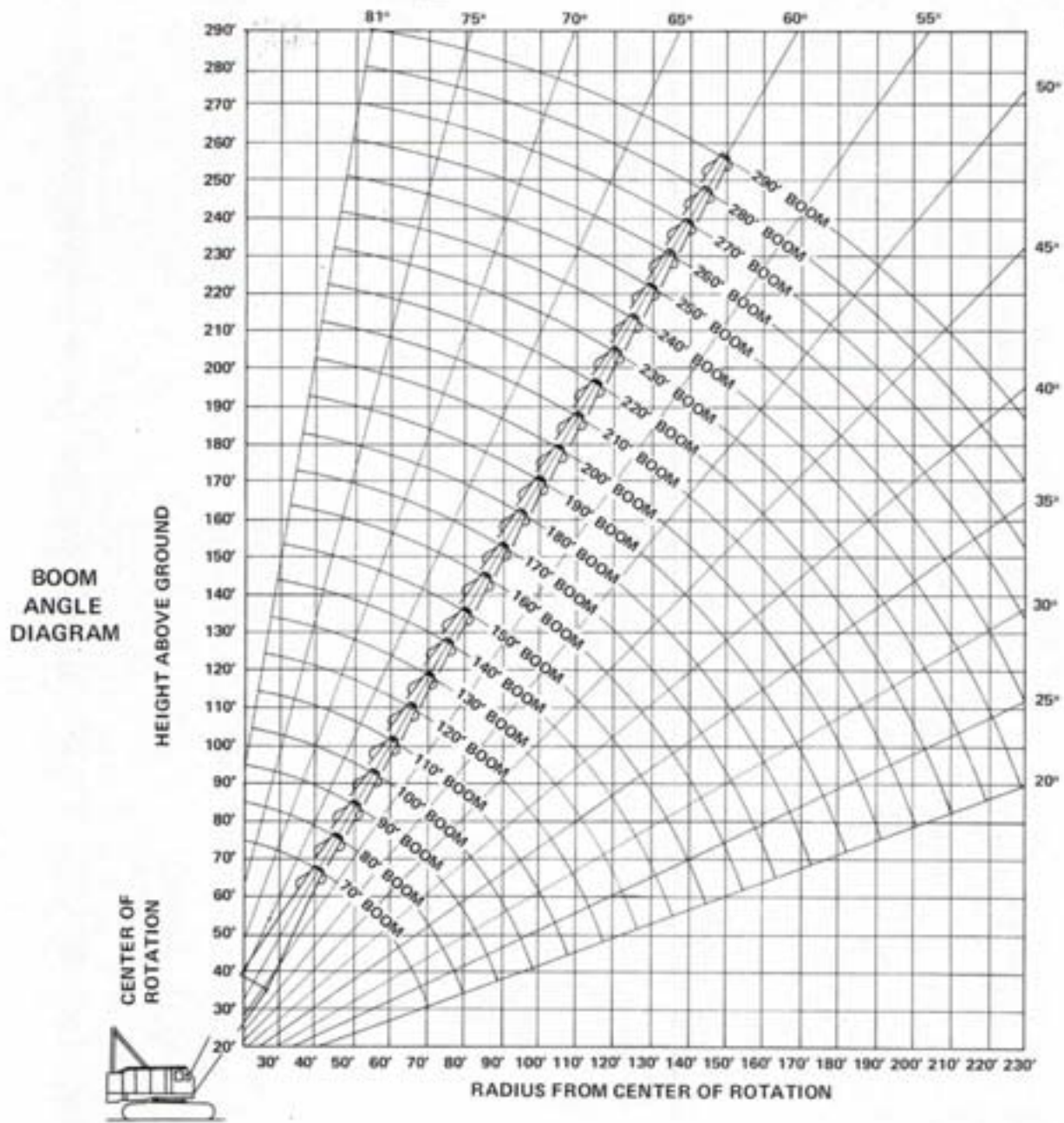
Performance figures are based on machine equipped with standard engine.

## WEIGHTS

Lifting crane with basic 70 ft. crane boom	360,270 lbs.
Components removable for shipment:	
Counterweight	135,000 lbs.
Crane block	6,000 lbs.
Boom outer	10,070 lbs.
Boom inner	6,200 lbs.
Telescopic boom stops	300 lbs.
Outer bail assembly	2,450 lbs.
A-frame	5,320 lbs.
Side frames, 50" shoes (2)	78,900 lbs.
Crawler axles (4)	13,100 lbs.
Torque tubes (2)	920 lbs.
Carbody	28,400 lbs.



# AMERICAN MODEL 9310 CRAWLER CRANE WORKING RANGES

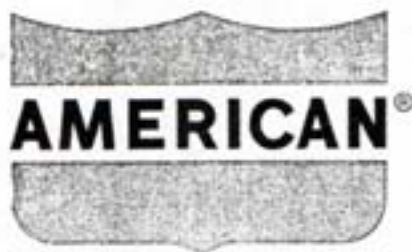


**SOLD & SERVICED BY:**



**AMERICAN HOIST  
& DERRICK COMPANY**  
ST. PAUL, MINNESOTA 55107

A. E. FINLEY & ASSOCIATES OF VA, INC.  
P. O. BOX 25079 - 8005 WASHINGTON HWY.  
RICHMOND, VA. 23260



# 900 SERIES MODEL 9310 CRAWLER CRANE

with 92H Boom

## LIFTING CAPACITIES

With 92H Tubular Boom and "S-S" Counterweight (135,000 Lbs.)

Boom Length (Feet)	Radius In Feet	Boom Angle Degrees	Side Frames Retracted	Side Frames Extended	Ft. From Boom Point	Min. Load Line
70 feet	17	81.4	-	450,000	76	12
	20	78.9	-	336,000	75	9
	25	74.7	195,030	230,290	74	6
	30	70.4	149,870	174,180	73	5
	35	65.9	121,150	139,460	71	4
	40	61.3	101,290	115,870	68	3
	50	51.3	75,360	85,630	61	3
	60	39.5	59,400	67,270	51	2
70	23.2	48,420	54,790	34	2	
80 feet	18	81.8	-	410,180	86	11
	20	80.3	-	335,940	86	9
	25	76.6	194,860	230,190	85	6
	30	72.9	149,670	174,030	83	5
	35	69.1	120,950	139,300	81	4
	40	65.2	101,090	115,710	79	3
	50	56.9	75,160	85,440	74	3
	60	47.7	59,210	67,090	66	2
70	36.8	48,250	54,630	55	2	
80	21.6	40,280	45,630	36	2	
90 feet	20	81.4	-	335,790	96	9
	25	78.2	194,600	229,980	95	6
	30	74.9	149,400	173,790	94	5
	35	71.5	120,670	139,050	92	4
	40	68.1	100,820	115,460	90	3
	50	61.0	74,870	85,180	85	3
	60	53.3	58,940	66,840	79	2
	70	44.8	47,970	54,360	70	2
	80	34.6	40,020	45,370	58	2
90	20.3	34,050	38,650	38	1	
100 feet	21	81.7	254,420	307,580	106	8
	25	79.4	194,320	229,760	105	6
	30	76.4	149,100	173,530	104	5
	35	73.4	120,370	138,780	103	4
	40	70.4	100,530	115,200	101	3
	50	64.2	74,560	84,890	97	3
	60	57.5	58,660	66,580	91	2
	70	50.4	47,690	54,090	84	2
	80	42.3	39,740	45,100	74	2
	90	32.7	33,830	38,440	61	1
	100	19.2	29,050	33,090	40	1
110 feet	22	81.9	236,080	283,580	116	7
	25	80.3	194,010	229,500	115	6
	30	77.7	148,770	173,240	114	5
	35	75.0	120,040	138,480	113	4
	40	72.3	100,210	114,900	112	3
	50	66.7	74,220	84,570	108	3
	60	60.8	58,340	66,270	103	2
	70	54.6	47,370	53,780	96	2
	80	47.8	39,420	44,790	88	2
	90	40.2	33,550	38,170	78	1
	100	31.1	28,780	32,830	64	1
110	18.2	24,930	28,530	41	1	

Boom Length (Feet)	Radius In Feet	Boom Angle Degrees	Side Frames Retracted	Side Frames Extended	Ft. From Boom Point	Min. Load Line
120 feet	24	81.6	205,860	244,730	125	7
	25	81.2	193,730	229,260	125	6
	30	78.7	148,470	172,980	124	5
	35	76.3	119,740	138,200	123	4
	40	73.8	99,930	114,640	122	3
	50	68.7	73,920	84,280	119	3
	60	63.5	58,060	66,000	114	2
	70	58.0	47,080	53,500	108	2
	80	52.1	39,130	40,520	101	2
	90	45.7	33,290	37,920	93	1
	100	38.4	28,540	32,600	81	1
110	29.7	24,700	28,310	66	1	
120	17.4	21,530	24,780	43	1	
130 feet	25	81.8	193,380	228,960	135	6
	30	79.6	148,110	172,650	135	5
	35	77.3	119,390	137,880	134	4
	40	75.1	99,580	114,310	132	3
	50	70.4	73,560	83,930	129	3
	60	65.7	57,710	65,660	125	2
	70	60.7	46,720	53,160	120	2
	80	55.5	38,770	44,160	114	2
	90	49.9	32,960	37,600	106	2
	100	43.8	28,210	32,280	97	1
	110	36.8	24,380	28,000	85	1
	120	28.5	21,230	24,480	69	1
	130	16.7	18,570	21,530	44	1
140 feet	27	81.6	172,290	202,580	145	5
	30	80.4	147,730	172,310	145	5
	35	78.3	119,000	137,520	144	4
	40	76.2	99,200	113,950	143	3
	50	71.9	73,150	83,550	140	3
	60	67.5	57,320	65,290	136	2
	70	63.0	46,340	52,790	131	2
	80	58.3	38,380	43,780	126	2
	90	53.3	32,600	37,250	119	1
	100	47.9	27,860	31,930	111	1
	110	42.1	24,020	27,650	101	1
	120	35.4	20,870	24,130	88	1
	130	27.4	18,230	21,190	71	1
	140	16.1	15,970	18,690	46	1
150 feet	28	81.8	162,950	191,130	155	5
	30	81.0	147,350	171,970	155	5
	35	79.1	118,630	137,180	154	4
	40	77.1	98,830	113,610	153	3
	50	73.1	72,770	83,180	150	3
	60	69.1	56,940	64,930	147	2
	70	64.9	45,950	52,410	143	2
	80	60.6	38,000	43,410	137	2
	90	56.1	32,240	36,900	131	1
	100	51.3	27,500	31,580	124	1
	110	46.2	23,670	27,300	115	1

(Continued)







# LIFTING CAPACITIES (cont.)

With 92H Boom

Boom Length (Feet)	Radius In Feet	Boom Angle Degrees	Side Frames Retracted	Side Frames Extended	Ft. From Boom Point	Min. Load Line	
230 feet	39	81.9	99,340	114,110	234	3	
	40	81.6	95,810	110,750	234	3	
	50	79.1	70,090	80,620	233	2	
	60	76.6	53,840	61,920	230	2	
	70	74.0	42,800	49,340	228	2	
	80	71.4	34,790	40,270	225	2	
	90	68.7	29,220	33,930	221	1	
	100	66.0	24,460	28,590	217	1	
	110	63.2	20,630	24,300	212	1	
	120	60.4	17,470	20,780	207	1	
	130	57.5	14,840	17,840	201	1	
	140	54.5	12,590	15,350	194	1	
	150	51.3	10,660	13,210	186	1	
	160	48.0	8,990	11,350	178	1	
	170	44.6	7,520	9,720	168	1	
	180	40.9	6,220	8,290	157	1	
	190	36.9	5,070	7,020	145	1	
	200	32.4	4,030	5,870	130	1	
	210	27.4	-	4,850	113	1	
	220	21.2	-	3,930	90	1	
	240 feet	40	82.0	95,410	110,380	244	3
		50	79.6	69,700	80,250	243	2
60		77.1	53,440	61,530	241	2	
70		74.7	42,380	48,930	238	2	
80		72.2	34,370	39,850	235	2	
90		69.6	28,820	33,540	232	1	
100		67.1	24,060	28,190	228	1	
110		64.4	20,220	23,900	223	1	
120		61.7	17,060	20,380	218	1	
130		59.0	14,420	17,430	212	1	
140		56.1	12,180	14,940	206	1	
150		53.2	10,250	12,800	199	1	
160		50.2	8,570	10,940	191	1	
170		46.9	7,100	9,310	182	1	
180		43.6	5,810	7,880	172	1	
190		40.0	4,650	6,600	161	1	
200		36.0	3,620	5,460	148	1	
210		31.7	-	4,430	133	1	
220		26.8	-	3,510	115	1	
250 feet		42	81.8	88,540	102,390	254	3
		50	80.0	69,310	79,870	253	2
		60	77.6	53,040	61,140	251	2
	70	75.3	41,970	48,520	249	2	
	80	72.9	34,500	39,990	246	1	
	90	70.5	28,420	33,140	242	1	
	100	68.0	23,650	27,790	230	1	
	110	65.5	19,810	23,500	234	1	
	120	63.0	16,650	19,970	229	1	
	130	60.4	14,010	17,030	224	1	
	140	57.7	11,770	14,540	218	1	
	150	54.9	9,840	12,390	211	1	
	160	52.0	8,160	10,530	204	1	
	170	49.1	6,690	8,910	196	1	
	180	45.9	5,390	7,470	186	1	
	190	42.6	4,240	6,200	176	1	
	200	39.1	-	5,050	164	1	
	210	35.3	-	4,020	151	1	
	260 feet	43	81.9	85,180	98,530	264	3
		50	80.4	68,920	79,490	263	2
		60	78.1	52,630	60,750	261	2
		70	75.9	41,550	48,120	259	2
80		73.6	34,100	39,610	256	1	
90		71.3	28,020	32,760	253	1	
100		68.9	23,240	27,390	249	1	
110		66.5	19,400	23,090	245	1	
260 feet (cont.)		120	64.1	16,250	19,580	241	1
		130	61.6	13,610	16,630	235	1
		140	59.1	11,360	14,130	230	1
	150	56.5	9,430	11,990	223	1	
	160	53.8	7,750	10,120	216	1	
	170	51.0	6,280	8,500	209	1	
	180	48.0	4,980	7,060	200	1	
	190	45.0	3,820	5,780	191	1	
	200	41.8	-	4,640	180	1	
	210	38.3	-	3,610	168	1	
	270 feet	45	81.8	79,300	91,750	274	3
50		80.7	68,510	79,100	273	2	
60		78.6	52,210	60,340	271	2	
70		76.4	41,120	47,700	269	2	
80		74.2	33,690	39,200	267	1	
90		72.0	27,600	32,340	264	1	
100		69.7	22,830	26,990	269	1	
110		67.4	18,990	22,690	256	1	
120		65.1	15,830	19,160	252	1	
130		62.8	13,180	16,210	247	1	
140		60.3	10,930	13,710	241	1	
150	57.9	9,000	11,570	235	1		
160	55.3	7,320	9,700	229	1		
170	52.7	5,850	8,070	221	1		
180	49.9	4,550	6,630	213	1		
190	47.1	3,400	5,350	205	1		
200	44.1	-	4,210	195	1		
280 feet	46	81.9	77,040	79,070	284	2	
	50	81.1	68,150	78,070	283	2	
	60	79.0	51,830	59,970	282	2	
	70	76.9	40,740	47,320	279	2	
	80	74.8	33,330	38,850	277	1	
	90	72.6	27,240	31,990	274	1	
	100	70.5	22,470	26,330	271	1	
	110	68.3	18,610	22,310	267	1	
	120	66.1	15,450	18,780	263	1	
	130	63.8	12,800	15,830	258	1	
	140	61.5	10,560	13,340	253	1	
150	59.1	8,620	11,190	247	1		
160	56.7	6,940	9,320	241	1		
170	54.2	5,470	7,700	234	1		
180	51.6	4,180	6,260	226	1		
190	49.0	-	4,980	218	1		
200	46.2	-	3,830	209	1		
290 feet	47	82.0	74,270	78,270	294	2	
	50	81.4	67,750	76,380	293	2	
	60	79.4	51,430	59,580	292	2	
	70	77.4	40,330	46,920	290	2	
	80	75.3	32,930	38,460	287	1	
	90	73.3	26,830	31,580	284	1	
	100	71.2	22,050	26,220	281	1	
	110	69.1	18,200	21,910	278	1	
	120	66.9	15,040	18,380	274	1	
	130	64.8	12,390	15,420	269	1	
	140	62.6	10,140	12,920	264	1	
150	60.3	8,200	10,770	259	1		
160	58.0	6,530	8,910	253	1		
170	55.6	5,050	7,280	246	1		
180	53.2	3,750	5,840	239	1		
190	50.7	-	4,560	231	1		
200	48.1	-	-	222	1		
210	45.3	-	-	213	1		
220	42.5	-	-	203	1		



# CRANE RATING DATA

Load ratings are in pounds and do not exceed 75% of the load which would cause tipping with crane standing level on firm uniformly supporting surface. Safe loads depend on ground conditions, boom lengths, radius of operation, and proper handling, all of which must be taken into consideration by user.

Radius in feet" is the horizontal distance at crane base level from center of rotation to a vertical line through the center of gravity of the suspended load.

Lifting is approved only in those areas for which ratings are shown in the rating chart. Blocks, slings, buckets, and other load carrying devices are considered part of the load. Retractable A-frame must be in fully raised position for all ratings. Ratings in shaded areas are limited by strength of material, or factors other than stability.

Main load line is 1-1/8 inch diameter with a minimum breaking strength of 143,000 pounds. Boom suspension line is 7/8 inch diameter with a minimum breaking strength of 79,600 pounds. Boom suspension pendants are 1-3/8 inch diameter with a minimum breaking strength of 79,600 pounds. Boom suspension pendants are 1-3/8 inch diameter with a minimum breaking strength of 211,000 pounds.

Boom and jib erection is over the long end of the machine with idler tumblers blocked and with "Lift Rating" counterweight.

Designed and rated to comply with ANSI Code B30.5.

## LOAD HOISTING DATA

Maximum Lifting Capacity - Lbs.	Minimum Pts. of Line	Maximum Hoisting Distance *	
		Main - R.H.	Auxiliary - L.H.
450,000	12	95'	35'
449,427	11	103'	38'
408,570	10	114'	42'
367,710	9	126'	46'
326,850	8	142'	52'
285,990	7	163'	60'
245,140	6	190'	70'
204,280	5	228'	84'
163,420	4	285'	105'
122,570	3	380'	140'
81,710	2	571'	211'
40,850	1	1142'	422'

\*Based on 1-1/8" diameter rope.

## 92H BOOM COMPOSITION

Boom Length (Feet)	30 Ft. 92H Inner	20 Ft. 92H Center	10 Ft. 92H Center	50 Ft. 92H Center	40 Ft. 92H Outer
70	1	-	-	-	1
80	1	-	1	-	1
90	1	1	-	-	1
100	1	1	1	-	1
110	1	1	2	-	1
120	1	-	-	1	1
130	1	-	1	1	1
140	1	1	-	1	1
150	1	1	1	1	1
160	1	1	2	1	1
170	1	-	-	2	1
180	1	-	1	2	1
190	1	1	-	2	1
200	1	1	1	2	1
210	1	1	2	2	1
220	1	-	-	3	1
230	1	-	1	3	1
240	1	1	-	3	1
250	1	1	1	3	1
260	1	1	2	3	1
270	1	-	-	4	1
280	1	-	1	4	1
290	1	1	-	4	1

## BOOM AND JIB ERECTION

92H Boom Length	Maximum Jib Length			
	No. 9	No. 9HL	No. 15	No. 16HL
290'	0'	0'	0'	0'
280'	30'	50'	30'	40'
270'	50'	80'	50'	90'
260'	50'	80'	50'	100'

## \*GROUND PRESSURE

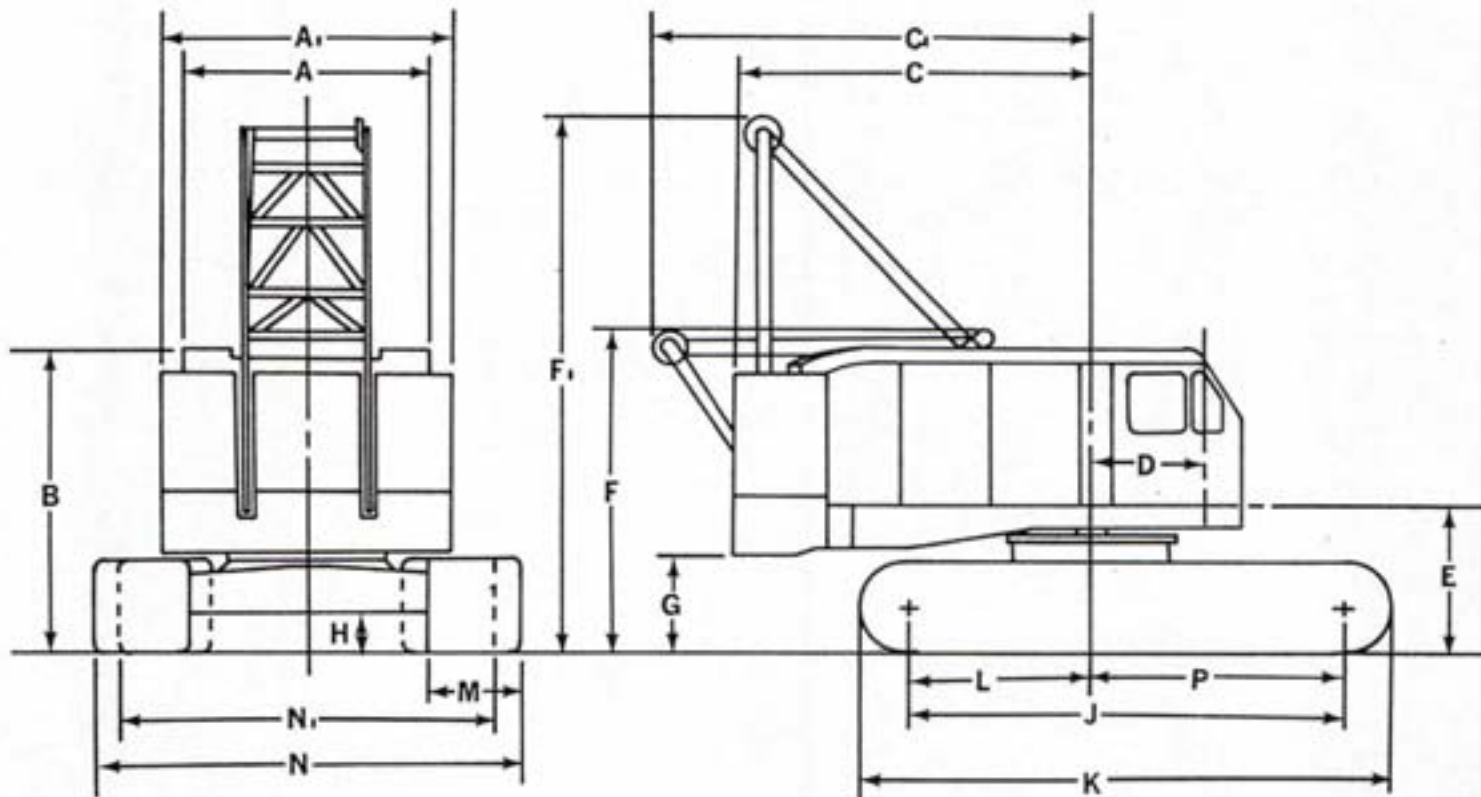
Basic 92H Boom  
50" Shoes..... 12.0 PSI

\*Based on gross machine weight equally distributed over ground bearing area.

NOTE: In accordance with varying material situations and the Company's policy of constant product improvement these specifications subject to change without notice and without incurring responsibility to units previously sold.



# AMERICAN MODEL 9310 CRAWLER CRANE



## GENERAL DIMENSIONS

A.	Width of cab	11' 0"	H.	Minimum ground clearance under crawler base	1' 9"
A <sub>1</sub> .	Width over counterweight	13' 2"	J.	Center to center crawler tumblers	24' 2"
B.	Height over cab	13' 7-1/8"	K.	Overall length of crawlers	28' 2"
C.	Tailswing	17' 0"	L.	Center of rotation to center of drive tumbler	11' 0-1/4"
C <sub>1</sub> .	Tailswing with A-frame, Lowered	24' 9"	P.	Center of rotation to center of idler tumbler	13' 1-3/4"
D.	Center of pivot to center of boom foot	5' 0-3/4"	M.	Width of tread shoes	50"
E.	Ground to center boom foot	6' 9-1/8"	N.	Overall width over crawlers—Extended	21' 1"
F.	Height over A-frame, Lowered-Ctwt. On	14' 8-5/8"	N <sub>1</sub> .	Overall width over crawlers—Retracted	18' 7"
F.	Height over A-frame, Lowered-Ctwt. Off	14' 9-7/8"			
F <sub>1</sub> .	Height over A-frame, Raised	30' 3-5/8"			
G.	Ground to bottom of counterweight	4' 5-3/8"			

## PERFORMANCE

TRAVEL SPEED:	0.8 MPH
SWING SPEED:	2.28 RPM
SINGLE LINE SPEED:	
Crane Hoist	165 FPM
Third Drum	192 FPM
or	142 FPM
LINE PULL:	
Crane Hoist	40,000 lbs. SLP
Third Drum	15,000 lbs. SLP
or	21,000 lbs. SLP

Performance figures are based on machine equipped with standard engine.

## WEIGHTS

Lifting crane with basic 70 ft. crane boom.	360,270 lbs.
Components removable for shipment:	
Counterweight	135,000 lbs.
Crane block	6,000 lbs.
Boom outer	10,070 lbs.
Boom inner	6,200 lbs.
Telescopic boom stops	300 lbs.
Outer bail assembly	2,450 lbs.
A-frame	5,320 lbs.
Side frames, 50" shoes (2)	78,900 lbs.
Crawler axles (4)	13,100 lbs.
Torque tubes (2)	920 lbs.
Carbody	28,400 lbs.