

Compact crane Product advantages

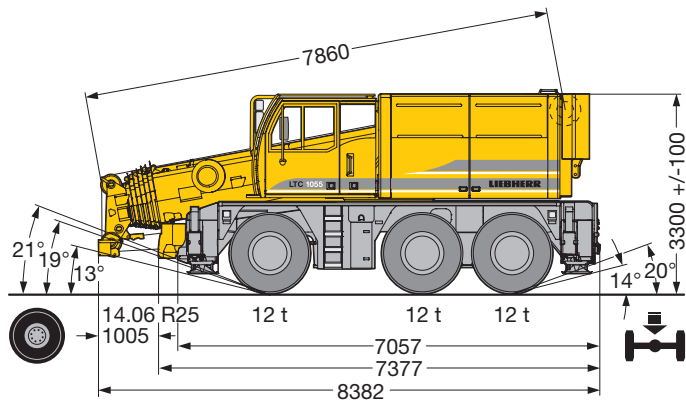
LTC 1055-3.1

max. load capacity: 55 t
max. height under hook: 50 m
max. radius: 46 m

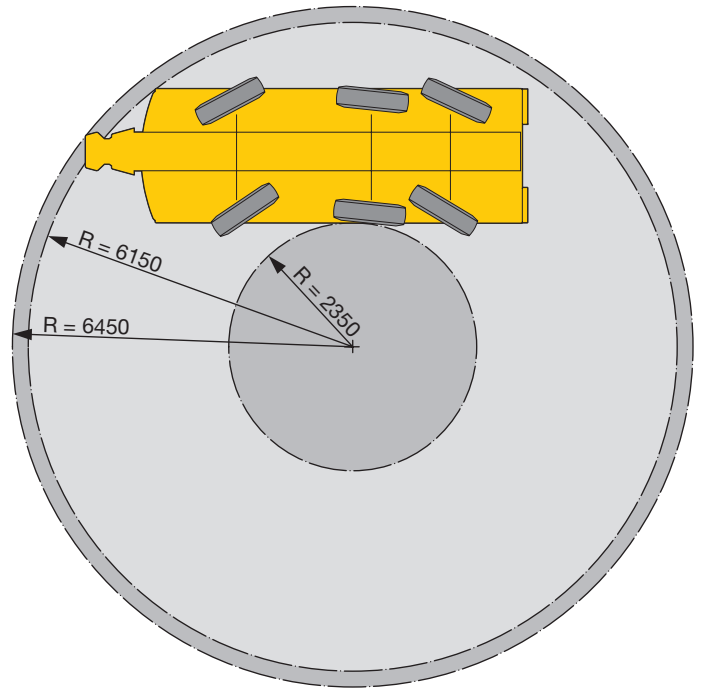
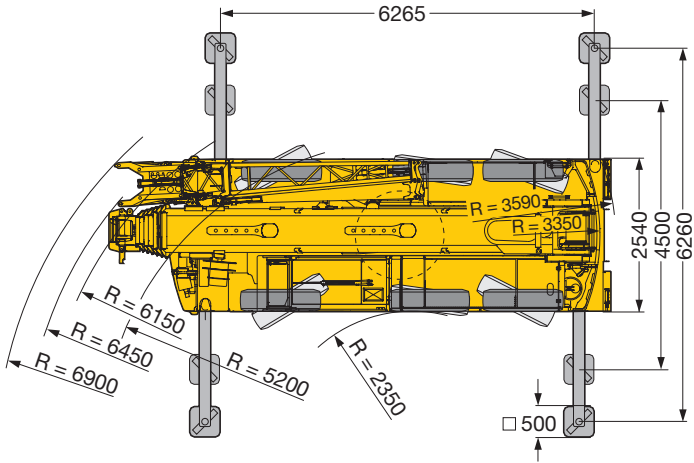


LIEBHERR

Very compact and maneuverable



- Overall length 8,38 m
- Carrier 7,06 m
- Carrier width 2,54 m
- Smallest turning radius by active rear-axle steering, 6,15 m over carrier, 6,45 m over telescopic boom
- Minimum clearance height 3,2 m
- Overhang angle front up to 21°, rear up to 20°
- Total weight 36 t, equal axle load distribution (12 t) through hydropneumatic suspension "Niveumatik"
- 12 t axle load incl. 4,4 t counterweight and biparted swing-away jib



P2

Variable steering concept with "active rear-axle steering"

Axles 2 and 3 are set up as "active rear-axle steering", 5 steering methods are preselectable by fixed programs (P)

P1: On-road steering

Axle 1 is steered mechanically with hydraulic assistance with the steering wheel. Axle 3 is steered actively speed-dependent according to the cramp of the front axle, and set and locked to straight displacement at a speed over 25 km/h. The change of the steering angle according to the speed results in a precise and stable driving quality at increased speeds, the tyre abrasion is reduced and the maneuverability clearly improved

P2: All-wheel steering

Axles 2 and 3, dependent on the steering angle of the 1st axle are cramped by the steering wheel so that the smallest turning radii can be performed

P3: Crab steering

Axles 2 and 3 are cramped conveniently by the steering wheel in the same sense as axle 1

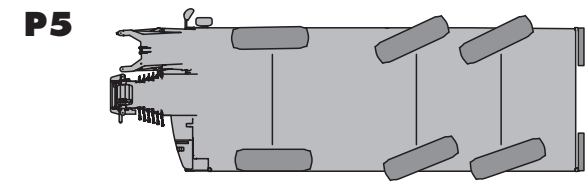
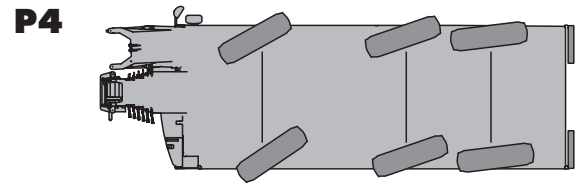
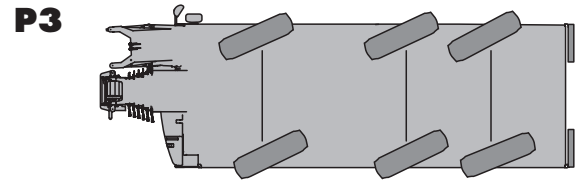
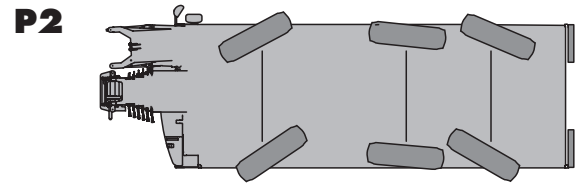
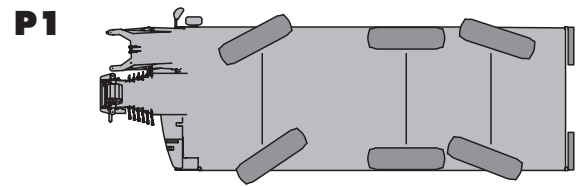
P4: Steering without swerving out

Axles 2 and 3 are steered according to the cramp of the 1st axle to prevent a swerve out of the carrier rear

P5: Independent rear-axle steering

Axle 1 is controlled by the steering wheel, axles 2 and 3 are steered by the left control lever, independent of the cramp of the 1st

- A failure in the rear-axle steering would render it ineffective and the rear-axle is set to straight displacement by the centering rams
- Two independent hydraulic circuits with wheel- and engine-driven hydraulic pump ensure maximum safety
- Two self-contained control processors (by existing E/A modules) and diversified sensoriel system
- The entire know-how of the "active rear-axle steering" by Liebherr

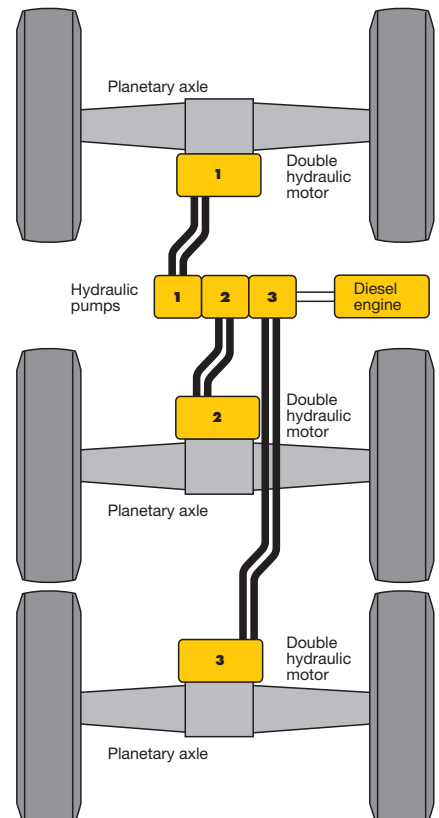
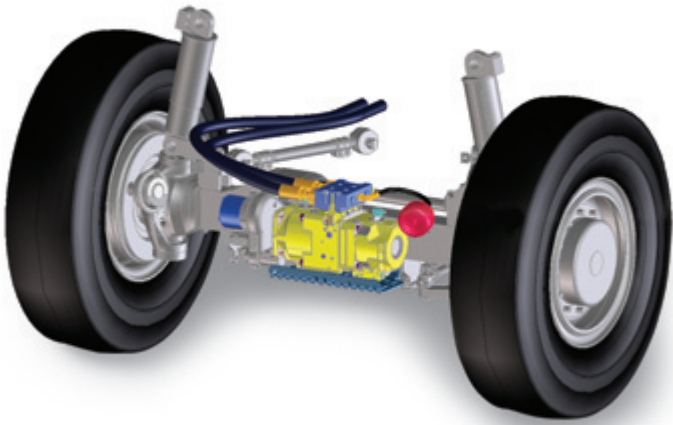


P5



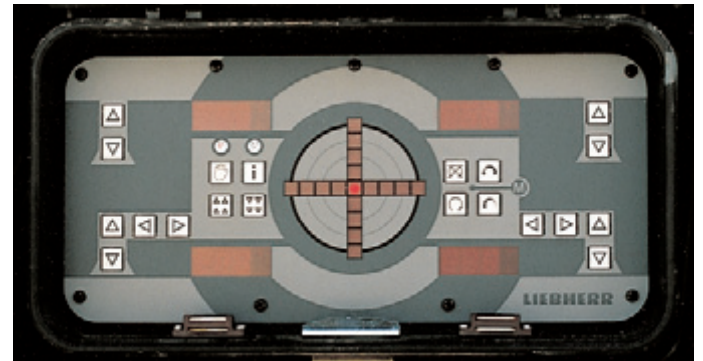
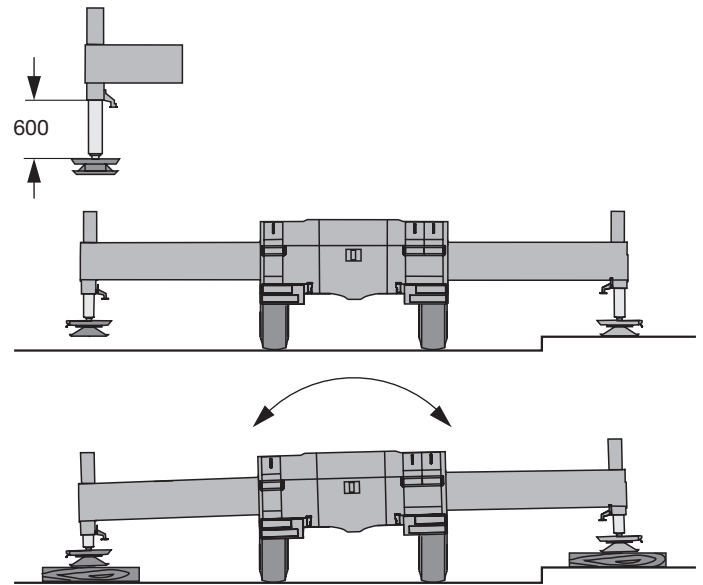
Hydrostatic displacement drive

- Engine on the superstructure for maximal weight exploitation, the engine serves for counterweight
- Powerful, 6-cylinder Liebherr turbo-charged Diesel engine type D846 A7, 350 kW/476 h.p, exhaust emissions acc. to 97/68/EG stage 3 and EPA/CARB Tier 3, robust and reliable, modern electronic engine management
- Stepless hydrostatic displacement drive; 3 axial-piston variable displacement pumps, one pump per axle are driven by a 3-shaft pump distribution gear within a closed oil circuit; control by a modern electronic engine/pump/hydraulic motors management
- Permanent all-wheel drive; no restraint between the axles due to the elasticity of the hydraulic drive, thus reduced tyre abrasion
- Activatable off-road ratio to increase the traction force
- Continuous speed range from 0 – 75 km/h without interruption of the traction force
- Sensitive maneuvering
- Abrasion-proof brakes with hydraulic retarder
- Tempomat, braking automatic, ABV (anti-lock device) and ASR (anti-skidding control)
- All axles are steered and driven hydrostatically by hydraulic, swivelling twin motors, differential locks for transverse locking, 2-step axle intermediate gear for on-road and off-road speed
- All axles with hydropneumatic suspension and lockable hydraulically
- Maintenance-free suspension rams, not exposed to lateral forces, piston rod protected against damage by plastic pipe



Setting crane on outriggers - quick, convenient and safe

- Variable supporting basis
 - Outriggers retracted
 - Supporting basis 6,26 m x 6,26 m
 - Supporting basis 4,5 m x 6,26 m
- Fix-mounted supporting pads with splash guard
- Travel of supporting ram of up to 600 mm
- Level control of the outriggers, all-automatic levelling of the crane during the supporting procedure by "push-button control"
- 2 x 7° lateral inclination of the carrier and crane superstructure
- Control panels on either side of the carrier, with membrane keyboard, electronic inclination indicator, push-buttons for ENGINE/START/STOP and speed control are illuminated and lockable
- Control of the outrigger system even from the crane cab is a standard feature
- Operation of the outrigger system in accordance with the rules for the prevention of accidents
- Illumination of the supporting area by 4 incorporated projectors



Displacement of the crane with load

- Telescopic boom length up to 12,6 m, radius up to 9 m, load capacity up to 24,5 t
- Axle lock (locking of the suspension) can be controlled from the crane cab
- Sensitive displacement through hydrostatic displacement drive
- Loads displaceable over rear or 360°
- Loads can be deposited on the carrier



Comfortable carrier and crane cab

- Crane cab in corrosion-resistant galvanized sheet steel version, powder-coated, with sound and heat absorbing internal panelling, interior of modern design, tinted windows, front knock-out window with large windscreen whiper with intermittent whipe/wash device, skylight with large parallel whiper and and whipe/wash device, roller blind on front window and skylight
- Greenish tinted front and side windows for heat absorption
- Pneumatically lateral extendable footboard for safe get off/access to the carrier
- 1 working projector of 70 Watt at the cabin front
- Pneumatically suspended crane operator's seat with pneumatic lumbar support, headrest and incorporated 3-point safety belt
- Operator-friendly armrest-incorporated controls, vertically and horizontally adjustable control lever consoles and armrests, ergonomically adjustable operating consoles
- Ergonomic control levers with integrated winch rotation and slewing gear signalling device
- Additional heater with engine preheating
- Automatic air-conditioning system
- Cab mounted on 4 guide rods and 2 shock absorbers with incorporated suspension
- Front-mounted swinging door for convenient access to the cab; additional swinging door, rear-mounted for access to the stow-away compartment or to the electric components respectively



Colour monitor for displacement and crane mode

- Optimal incorporation of the colour monitor into the instrument support; no obstruction of the operator's view
- Display of all essential operating data for the displacement and the crane mode on the LICCON screen
- Usual convenient control by function keys and membrane keyboard



Touch displays for the selection of operating functions

- The touch displays are incorporated into the armrests
- The programs are preselected by function keys and controlled by the touch function
- The right touch display serves for the control of the programs such as on-road displacement, displacement incl. crane operation, steering programs, outrigger system and suspension/Niveumatik
- The left touch display serves for the control of the programs such as ballasting, working projectors, heating and automatic air-conditioning system
- Working projector: Manual, automatic load tracking or position control, i.e. the projector remains fixed on the preselected point in spite of raising or lowering of the telescopic boom



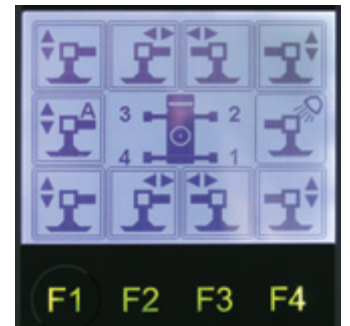
On-road displacement



Displacement with crane operation



Steering programs



Control of outrigger system



Suspension



Ballasting



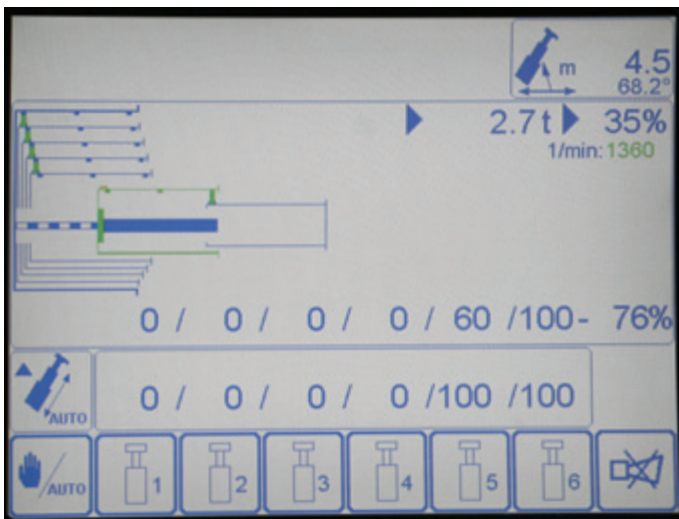
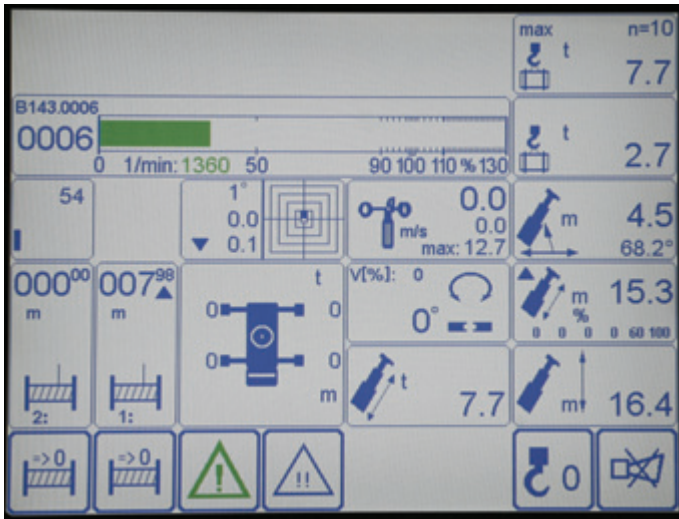
Working projectors



Heater, automatic air-conditioning

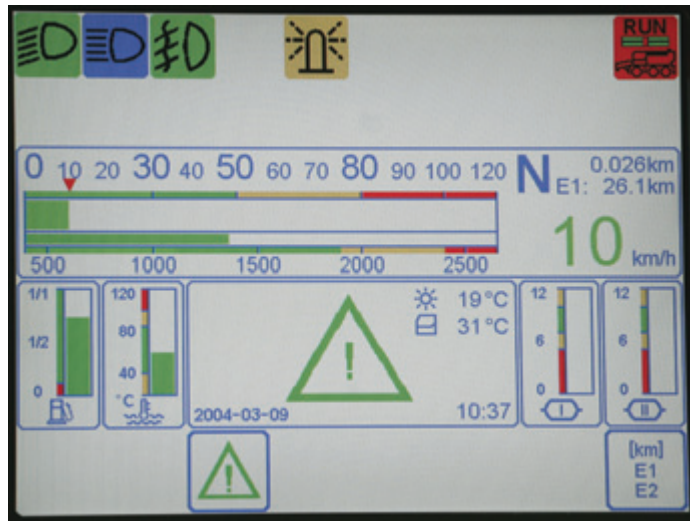


	[m]	[t]	CODE: 0006	B143.0006	2(4)		
	7.9	10.2	10.2	10.2	10.2	12.6	12.6
3.0	49.2	44.0	44.0	43.0	28.6	41.0	40.8
3.5	44.8	44.0	44.0	43.0	28.7	41.3	41.1
4.0	39.6	39.5	39.7	39.8	27.3	39.2	39.6
4.5		35.2	35.4	35.6	26.0	35.2	35.5
5.0		31.4	31.6	31.8	24.9	31.4	31.8
6.0		25.6	25.8	25.9	23.0	25.5	25.9
7.0						21.4	21.7
8.0						18.4	18.7
* n *	* 12 *	* 11 *	* 11 *	* 11 *	* 7 *	* 10 *	* 10 *
1(103)							>>
1	0+	0+	0+	0+	0+	0+	0+
2	0+	0+	0+	0+	0+	50+	0+
3	0+	50+	0+	0+	0+	50+	50+
4	0+	0+	50+	0+	0+	0+	50+
5	0+	0+	0+	50+	0+	0+	0+
6	0+	0+	0+	0+	50+	0+	0+



LICCON configuration, operating and displacement program

- Standard application programs: Safe load indicator (LMB), configuration program with configuration picture, operating program with operation picture, telescoping program with telescoping picture, control parameter program, test system; optional features such as work area limitation and the LICCON work planner
- Setting of the configuration by convenient interactive functions
- Safe and clear acknowledgement of the adjusted configuration
- Representation of all essential data by graphic symbols on the operation picture
- Integrated wind force control (optional)
- Supporting force display (optional)
- Reliable cut-off device when exceeding the admissible load moments
- Load capacity values for any boom intermediate length
- Winch indications for precise lifting/lowering of the load
- Standardised digital displays for the displacement mode such as speed, lighting, engine temperature, reservoir contents



LICCON-assisted telescoping system

- Telescoping by single-stage hydraulic ram with hydraulic driving tenons (patented internal interlocking system)
- Telescoping procedure controllable by convenient operator's guide on the monitor, precise approach of the interlocking positions
- Telescopic loads are displayed on the LICCON operation picture
- Rapid-cycle telescoping system with "automatic mode", i.e. all-automatic telescoping to the required boom length
- Very compact and light-weight telescoping system, thus increased load capacities, especially with long booms and large radii
- Automatic cushioning in end positions during boom extension and retraction for the preservation of the structural members

Mounting of 4,4 t counterweight (12 t axle load)

- Slew superstructure with the fix-mounted counterweight (2,5 t) and pick up the counterweight deposited on the carrier front (1,9 t) (fig. 1 – 6)
- Counterweight radius just 3,35 m



1



2



3



4



5



6

Mounting of 10,4 t counterweight (6 t additional counterweight)

- Attach additional counterweight 2,5 t to the counterweight plate 1,9 t, put on additional counterweight 3,5 t and pick it up with the fix-mounted counterweight (2,5 t) of the superstructure (fig. 1 – 6)
- Counterweight radius just 3,59 m



1



2



3



4



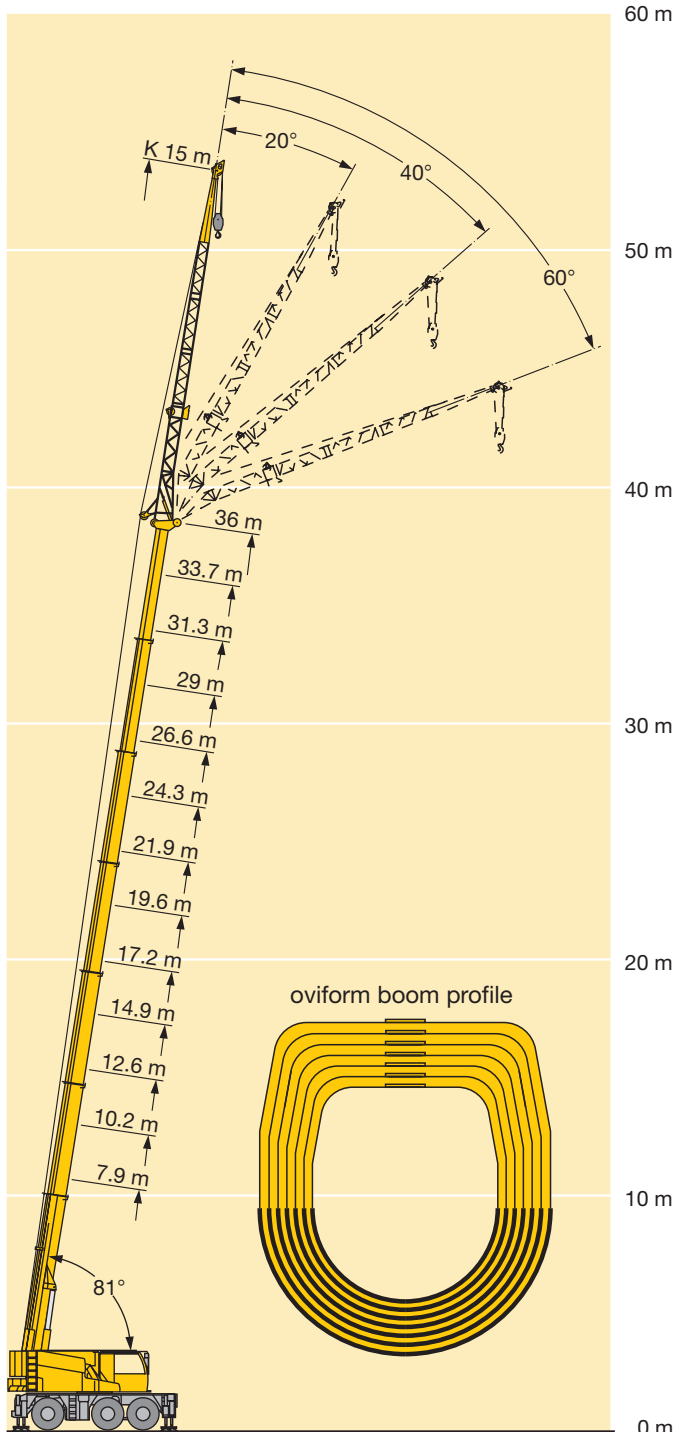
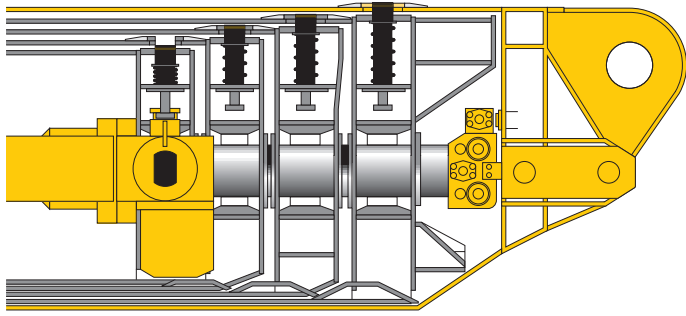
5



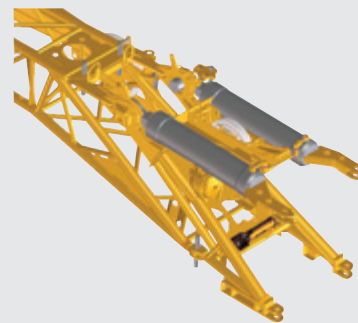
6

Lifting loads - precise and safe

- 7-section, 7,9 m - 36 m long telescopic boom and 2-section, 4,5 m - 7,8 m long biparted swing-away jib for 43 m height under hook and 40 m radius
- Three intermediate sections 2,4 m each for the extension of the swing-away jib to 15 m, max. height under hook 50 m, self-erection, transportable on the carrier rear



- Telescopic boom with rounded, oviform bottom shell, thus high lateral stability
- Optimal exploitation of the telescopic boom due to a multitude of telescoping variants
- Swing-away jib mountable at 0°, 20°, 40° and 60°, 2 hydraulic rams for the continuous variation of the swing-away jib from 0° - 60° (optional)



- Luffing under load (interpolation of the load capacities)
- Erection jib of 1,2 m integrated into the swing-away jib, mountable at 0°, 20°, 40° and 60° inclination, hydraulic ram for the continuous variation of the erection jib from 0° - 60°
- Pulley set/hook for erection jib, 3 rope pulleys for a max. load capacity of 26 t, single hook for max. 26 t load capacity
- Easy and quick re-reeving of the hoist rope by rope dead end connection
- Load hook with rope dead end connection, cylindrical shape of the load hook for easy displacement by rolling on the ground

Special and indoor jobs are its strong points

- Outstanding compactness and maneuverability
- Sensitive maneuvering due to hydrostatic displacement drive
- Short basic boom for small constrained radii at low hall heights

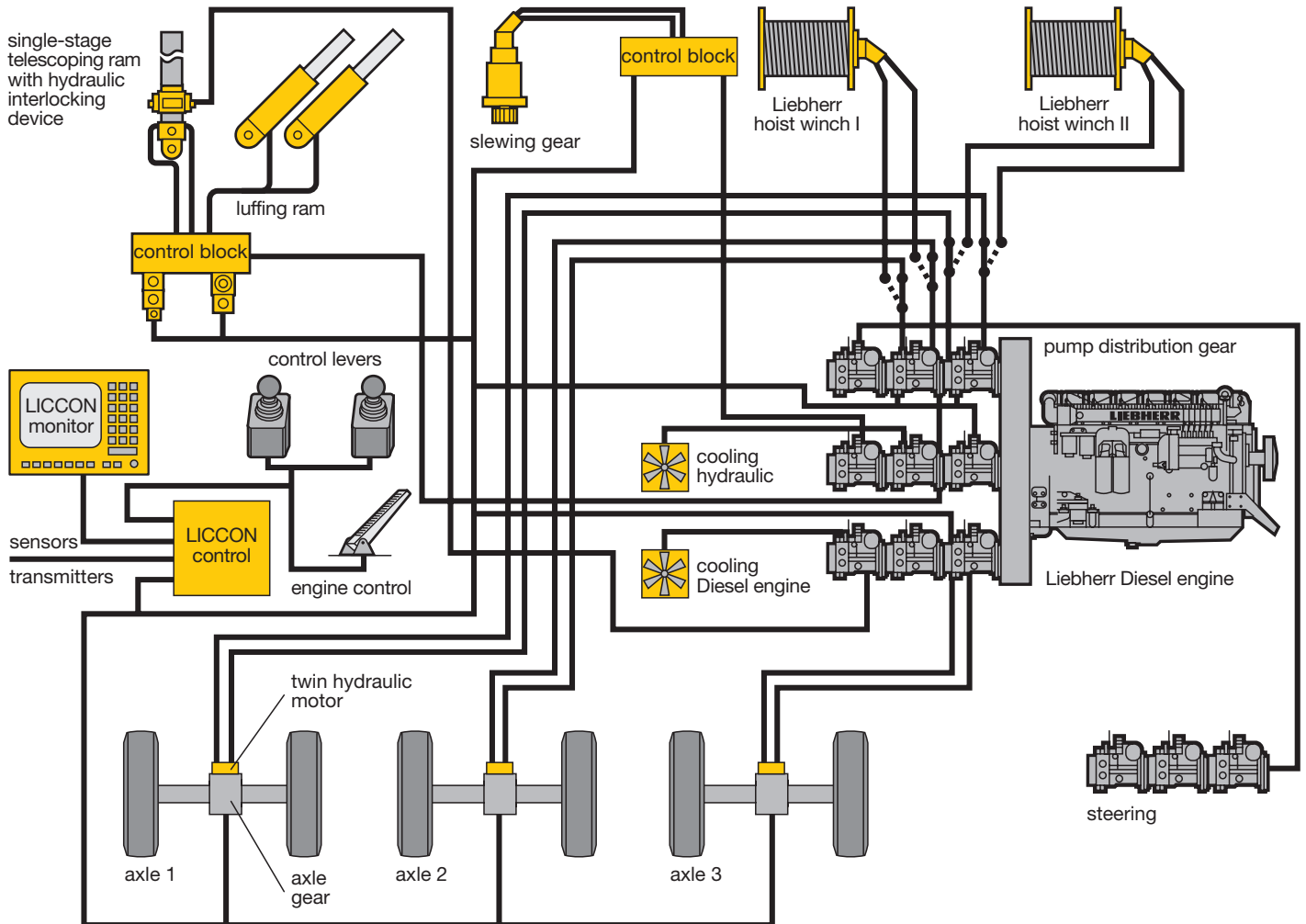
- Gain of height under hook and radius by the erection jib of 1,2 m incorporated into the swing-away jib, optionally hydraulically inclinable at 0° - 60° under full load
- High telescopic loads of up to 27.5 t due to the specific dimensioning of the telescoping ram and the length dependent controlled hydraulic pressure



Electric/electronic PLC crane control with test system

- Control of the winches, slewing gear as well as luffing and telescoping motions by the LICCON computer system (PLC control)
- Electric load-sensing, open oil circuits with capacity control for luffing and telescoping
- Hoist gears within closed oil circuit

- Slewing gear invertible from released to locked as a standard feature
- Four working motions can be performed independent from one another
- Speeds for hoisting/lowering, luffing and slewing are preselectable
- Very short response rates at the initiation of crane motions



Optional features contribute to an expansion of the application spectrum and increase comfort and safety

On the carrier

- Supporting pressure indication on the carrier and in the crane operator's cab
- Stow-away box for underlay timber
- Trailer coupling D12/D19
- Transport attachment for the intermediate sections of the swing-away jib

On the crane superstructure

- 2nd hoist gear
- Seat heating
- Work area limitation
- Aircraft warning light

- Xenon working projector on base section, electrically adjustable
- Twist absorber
- Tele-diagnostic with installed GSM module
- Radio set with CD player
- Emergency actuation
- Anemometer
- Navigation system
- Reversing camera

Further optional features by request