

D11T/D11T CD

Track-Type Tractor



Engine

Engine Model	Cat® C32 ACERT™	
Net Power – SAE J1349/ISO 9249	634 kW	850 hp

Weights

Operating Weight	104 257 kg	229,848 lb
Shipping Weight	37 485 kg	82,640 lb
Operating Weight – CD	112 698 kg	248,456 lb
Shipping Weight – CD	37 802 kg	83,340 lb

D11T/D11T CD Features

C32 Engine with ACERT Technology

Delivers optimal performance and efficiency for years of dependable service. A U.S. EPA Tier 4 Final engine is available for the U.S. and Canada.

Drive Train

Electronically controlled powershift transmission, efficient clutch/brake steering and durable planetary final drives deliver outstanding power transfer and longer life.

Operator Station

Designed for operator comfort, convenience, and productivity. Machine controls and displays are at the operator's fingertips to maximize operator productivity.

Safety

Designed for safe operation by providing, among other features, enhanced access/egress, and a variety of technologies to help keep the operator and others safe on the job.

Serviceability and Customer Support

Ease of serviceability, Cat dealer support and machine rebuild capability help reduce overall owning and operating costs.



Contents

Engine	3
Emissions Technology	3
Implement and Steering Controls	4
Cooling System	5
Drive Train	6
Undercarriage	7
Sustainability	8
Operator Station	8
Structure	9
Work Tools	10
Safety	11
Serviceability and Customer Support	12
D11T/D11T CD Specifications	13
D11T/D11T CD Standard Equipment	18
D11T/D11T CD Optional Equipment	19

Cat® Track-Type Tractors are built to move more and that's just what the D11T and D11T Carrydozer (CD) are designed to do. With features designed to improve durability and reliability; increase productivity and efficiency; and enhance serviceability; today's D11T/D11T CD will help you meet your business objectives every day.

Engine

Power and reliability



C32 with ACERT™ Technology

The D11T and D11T CD feature a Cat C32 ACERT engine to deliver the performance and efficiency that customers demand. An engine that meets U.S. EPA Tier 4 Final emissions standards is available for sales in the United States and Canada.

Performing at full rated net power of 634 kW (850 hp) at 1,800 rpm with a high torque rise of 21 percent, the large displacement and high torque allow the D11T to doze through tough material. Matched to the high efficiency torque divider and electronically controlled power shift transmission, it will provide years of dependable service.

ADEM™ A4 Engine Controller

The ADEM A4 electronic control module manages fuel delivery and air flow to get the best performance per liter (gallon) of fuel used. It provides flexible fuel mapping, allowing the engine to respond quickly to varying application needs.

Air-to-Air Aftercooling

Provides cooled compressed air to the engine intake manifold; reducing emissions and maximizing fuel efficiency.

Service

Engine enclosures provide easy access to maintenance points within the engine compartment. Easier maintenance and repair through monitoring key functions and logging critical indicators.

Fuel Heater (optional)

The optional fuel heater uses the temperature of the engine return fuel to warm the cold fuel coming directly from the tank. The fuel heater allows an easier transition to winter blended fuels during season changes.

Emissions Technology

Reliable, integrated solutions

The optional D11T emissions reduction technology includes:

- Cat NOx Reduction System – captures and cools a small quantity of exhaust gas, then routes it into the combustion chamber to drive down temperatures and reduces NOx emissions.
- Diesel Oxidation Catalyst (DOC) – uses oxidation, a chemical process, to condition exhaust gases to meet regulatory requirements.
- MEUI-C Fuel System – developed from the field proven MEUI-A system while increasing fuel efficiency and further NOx reduction.
- Ultra Low Sulfur Diesel (ULSD) Fuel and Low Ash Oil are required.

Implement and Steering Controls

Ergonomically designed for ease of operation



Dozer Control Joystick

A low-effort electronic dozer control joystick gives the operator control of all dozer functions with one hand. Fore/aft movement of the joystick lowers and raises the blade. Left/right movement directionally tilts the blade. Blade response and blade float can be set/adjusted using the Advisor Panel.

The thumb lever at the top of the handle and trigger switch controls blade pitch fore and aft.

Automated Blade Assist Controls

A semi-automatic dozer control that makes use of preset blade pitch positions for load, carry and spread segments. This increases efficiency while reducing operator workload. It can be controlled with the two thumb buttons on the implement control or the push button key pad.



Finger Tip Controls (FTC)

Clustered for easy, one-handed operation to the operators left. They control steering, machine direction and gear selection.

Performance Monitor

The monitoring system collects machine data and provides real-time feedback on machine productivity to optimize performance. Data summaries can be sent to off-board tools for site managers to review.

Automatic Ripper Control (optional)

A new feature that reduces operator fatigue and decreases wear and tear on the machine. This is done by monitoring the tractor speed with the new cab mounted Global Navigation Satellite System (GNSS) to automatically adjust engine speed and ripper depth to minimize track slip.

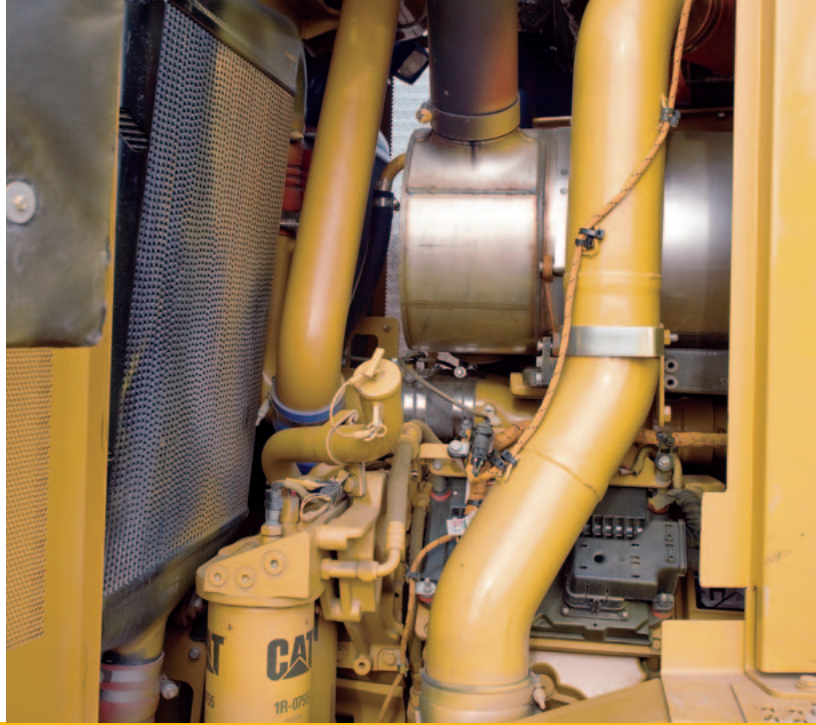
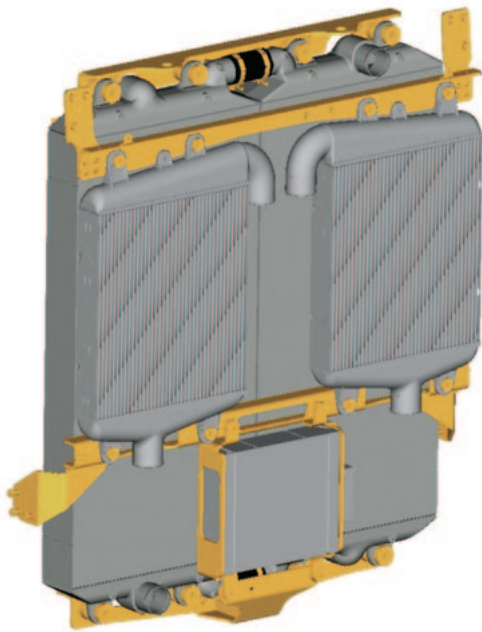


Autocarry (optional)

Enhances operators productivity by continuously monitoring ground speed and automatically adjusting blade load. Ground speed is measured with a robust cab-mounted Global Navigation Satellite System (GNSS) receiver allowing continuous data analysis.

Terrain for Grading (optional)

Provides high precision management of dozing and grading applications for enhanced safety, productivity and efficiency. The system enables an electronic site plan to be sent to the machine from the office in real-time, directing the operator where to cut and fill.



Cooling System

Durable and efficient

Aluminum Bar Plate Radiator

Cooling system uses a two-part radiator built with rugged, highly efficient aluminum bar plate cores. The aluminum bar plate construction aids durability and allows for higher heat transfer and superior corrosion resistance.

Hydraulic Air to Oil Cooler

The new air to hydraulic oil cooler reduces hydraulic oil temperatures thus improving component life. The core is built using the same rugged aluminum bar plate design as the jacket water cooler.

Hydraulically Variable, Demand Fan

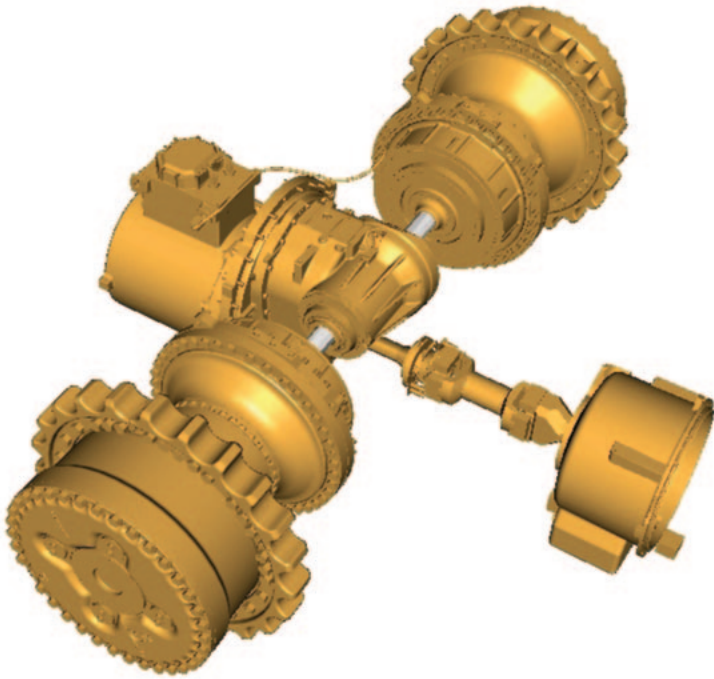
Provides engine cooling capability that is matched to the ambient conditions. In cooler conditions, the fan turns at a slower speed, reducing power demands. This reduces fuel consumption in lower load factor operations. Low speed fan operation also reduces both operator and spectator sound levels.

Attachments

- Ultra low fan speed option for cold weather applications
- Reversible cooling fan and radiator option for heavy debris applications
- Mesabi Radiator

Drive Train

Powerful efficiency



Torque Divider

A single-stage torque converter with output torque divider sends 75 percent of engine torque through the converter and 25 percent through a direct drive shaft for greater driveline efficiency and higher torque multiplication.

The torque converter shields the driveline from sudden torque shocks and vibrations.

Planetary Powershift Transmission

Three speeds forward and three speeds reverse, utilizing large diameter, high-capacity, oil-cooled clutches.

- Modulation system permits fast speed and direction changes.
- Modular transmission and bevel gear slide into rear case for easy servicing, even with ripper installed.
- Oil-to-water cooler for maximum cooling capacity.
- Forced oil flow lubricates and cools clutch packs to provide maximum clutch life.
- Controlled throttle shifting regulates engine speed during directional shifts for smoother operation and longer component life.

Steering Clutch and Brake

Fade resistant and adjustment free. The multi-disc, oil-cooled steering clutches are hydraulically applied and electronically controlled. The brakes are applied by springs and hydraulically released for safe and reliable braking performance.

Drawbar Pull vs. Ground Speed

As loads on the tractor increase, the D11T offers unmatched lugging capability and smooth shifting as the need occurs to change gears under varying loads.

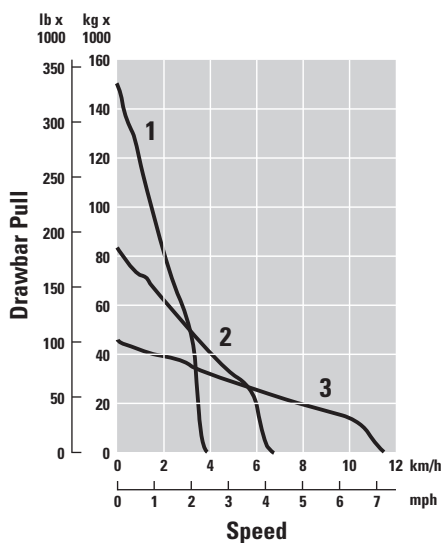
Enhanced Auto Shift

Enhanced Auto Shift is a new standard feature that improves fuel efficiency by automatically selecting the optimal reverse gear and engine speed combination based upon powertrain load and desired ground speed.

Modular Powertrain

The design permits quick removal and installation of major components such as the engine, transmission and final drives.

D11T/D11T CD Drawbar Pull



- 1 – 1st Gear
- 2 – 2nd Gear
- 3 – 3rd Gear



Undercarriage

Engineered for performance

Suspended Undercarriage Design

Absorbs impact loads to reduce the shock loads transferred to the undercarriage by up to 50%.

Bogie Suspension

Providing up to 15 percent more ground contact, especially in hard, uneven terrain. Higher traction means less slippage, better balance, and a smoother ride.

Integrated Carrier Roller Mount

Fabricated into the track roller frame making it easier to add the optional carrier roller in the field.

Rollers and Idlers

Feature symmetric Duo-Cone seals for long sealing life to prevent oil loss and dirt entry. Toric rings maintain performance over a wide range of temperatures.

Roller Frames

Roller frames are tubular to resist bending and twisting, with added reinforcement.

Sleeve Bearing Track

A unique track link assembly that maximizes life and minimizes downtime. Designed to operate at higher speeds and greater loads.

Sprocket Segments

Four bolt-on replaceable rim segments of abrasion resistant tough steel for long wear life.

Track Shoes

Track shoes are available in a variety of sizes and styles to match working conditions.

Sustainability

Thinking generations ahead

The D11T/D11T CD offer a number of sustainable benefits:

- Fuel saving features like Enhanced Auto Shift help decrease overall fuel consumption. Decreases in fuel consumption result in a decrease in combustion of carbon, reducing greenhouse gases.
- We are making our track-type tractors as quiet as possible so they have less impact on the communities where they operate. The new D11T offers an optional sound suppression package that delivers a 6 dB(A) (ISO 6395) reduction in the average spectator sound power level and a 4 dB(A) (ISO 6396) reduction in the average operator sound pressure level.
- Ecology drains allow fluids to be easily captured for recycling or proper disposal.
- Major components of Cat Track-Type Tractors are designed to be rebuilt. The Cat Certified Rebuild program conserves energy and materials by delivering a cost effective second, and even third, life for our machines.



Operator Station

Comfort and convenience

The D11T cab is designed and equipped for operator productivity, safety and comfort. The standard isolation-mounted cab reduces noise and vibration. Large windows, tapered hood, and notched fuel tank provide excellent visibility to all sides of the machine and around the job site.

The D11T comes with an updated in-dash display with new features. An improved Advisor Monitoring System tracks machine operating conditions in real time. Dimmable lights allow the operator to choose between night and day backlight settings, through Advisor, to adjust the brightness of all switches and the keypad in the cab.

Operators will enjoy comfort features like standard Cat Comfort Series Seat, adjustable arm rests and automatic climate control. The climate control system automatically adjusts heater and air conditioning controls to maintain a consistent cab temperature throughout the day.

Additional features include:

- Entertainment radio ready and IPOD/MP3 player ready
- Communications radio mounting
- Finishes that make the cab easy to clean
- Heated and ventilated seat option



Structure

Engineered for maximum production and service life

Mainframe Strength

The D11T and D11T CD mainframes are built to absorb high impact shock loads and twisting forces encountered during severe dozing and ripping applications. These frames share the following features:

Frame Rails

Full box section design keeps components rigidly aligned.

Heavy Steel Castings

Strengthen the main case, equalizer bar saddle, front cross member and tag-link trunnion.

Top and Bottom Rails

Made from continuous rolled sections to eliminate welds and machining, which provide superior mainframe durability.

Main Case

Elevates the final drives well above the ground level work area to protect them from impact loads, abrasion and contaminants. Features one-piece cast case with ripper and ROPS mounting. Oil reservoir included in one-piece casting.

Pivot Shaft

The pivot shaft and pinned equalizer bar maintain track roller frame alignment.

Heavy Cast Saddle

Ribbed design increases frame life.

Engine and Radiator Guard Mount

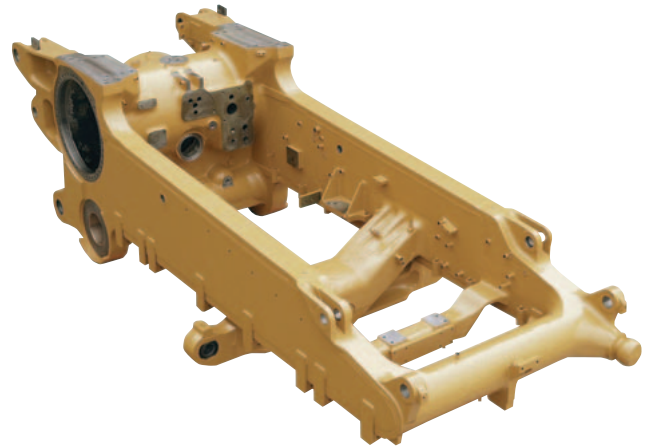
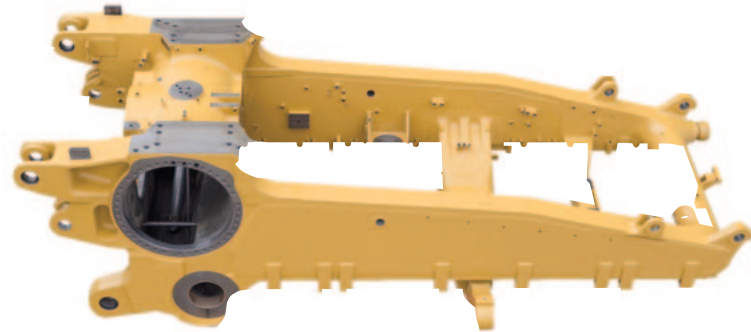
The common front engine and radiator mount feature heavy castings.

Carrydozer Frame

The Carrydozer frame is specifically designed for carrying material long distances. The taller front end accepts additional frame loads generated by the unique Carrydozer blade design.

Tag-Link

Reduces wear and brings the blade closer to the machine for more precise dozing and load control. The Tag-Link design provides solid lateral stability and better cylinder positions for constant break out force, independent of blade height.





Work Tools

Equipped for versatility

Bulldozers

All blades feature a strong box-section design that resists twisting and cracking. Blades are made of high tensile strength steel that stands up to the most severe applications. Heavy moldboard construction and hardened bolt-on cutting edges and end bits add strength and durability.

- Semi-Universal Blade – Built for tough applications where penetration is important.
- High-Capacity Universal Blade – Maximizes capacity for moving big loads over long distances.
- Dual Tilt – Allows the operator to optimize the blade pitch angle.
- Cutting Edges and End Bits – Cutting edges are made of DH-2™ steel. End bits are made of DH-3™ steel for maximum service life.
- Cat Work Tools offer a range of special application blades.

Rippers

- Multi-Shank Ripper – Tailors the tractor to the material by using one, two or three shanks.
- Single-Shank Ripper – Operator can adjust the shank depth from the seat using a single-shank pin puller. Large one-piece shank is available in deep ripping configuration.

Rear Counterweights

Provide proper tractor balance to maximize dozing production. Recommended if not equipped with any other rear attachment.

Safety

Important for the most productive business

Operator Presence Detection

This new feature locks out the powertrain and hydraulics to avoid unintentional movement when the operator is mounting and dismounting the machine.

Fender Guard Rails

Standard heavy duty guard rails are strategically placed to safeguard the operator outside of the cab.

Heavy Duty Steps and Handles

Strategically placed grab handles plus non-slip steps and decking aid operator getting on and off the machine.

Rear Platform and Guard Rails (optional)

The platform provides access to the rear window for cleaning and repairing rear mounted lights. The walkway is designed in sections to allow for varying lengths of platform across the back of the tractor. A foot barrier is a standard part of the walkway.

Access Ladder (optional)

The hydraulically actuated ladder deploys and stores in seconds for quick and easy access.

Spectator Sound Reduction Package (optional)

The D11T sound suppression package delivers a 6 dB(A) (ISO 6395) reduction in the average spectator sound power level and a 4 dB(A) (ISO 6396) reduction in the average operator sound pressure level. Isolated rim idlers, solid engine enclosures with liners, engine enclosure sealing and sealed bottom guard with liners are all contributing factors to the sound reduction package.

Visibility Package (optional)

The D11T offers multiple visibility packages that enhance the operator's visibility of their surroundings and provides a broader view of the work area. The packages include a WAVS camera system and mirrors inside and outside the cab.

Object Detection (optional)

The system uses both cameras and radar technology to enhance the operator's awareness and aid in detection of objects within the surrounding area of the machine.

Command for Dozing (optional)

Allows the operator to control the machine using a portable over-the-shoulder operator console. The system is appropriate for use in particularly hazardous operating environments where it would enable the operator to remove himself from the machine. This system may also help to reduce exposure to dust, noise and vibration.



Serviceability and Customer Support

When uptime counts



VIMS 3G

Enables your equipment to provide detailed, up-to-the minute data about its own health and working conditions by monitoring key temperatures, pressures, and more. The system gathers historical trends, histograms, events and more for off-board analysis. Additional subscription required.

Ground Level Service Options

The ground level service center mounted on the ripper cylinder provides easy access to:

- Secondary engine shutoff
- Access lighting switch turns on the forward ROPS lights to light the access path to the machine. The lights will stay on until you start the tractor or when a configurable timer expires (10 minute default).
- Delayed lighting turns on the forward ROPS lights to light the path when getting off the machine.
- Fast fuel
- High speed oil change (optional)

Ok-to-Start

The new Ok-to-Start strategy provides electronic fluid level verification at startup on the powertrain and engine oil systems. All information is available via the Advisor Monitoring System within the cab.

Fast Fuel System

The fast fuel system, with positive fuel shut-off to prevent fuel spillage, can reduce fuel waste and decrease downtime.

Parts Program

You will find nearly all parts at your dealer parts counter. Cat dealers use a world-wide computer network to find in-stock parts to minimize machine downtime. Ask about your Cat dealer's exchange program for major components. This can shorten repair time and lower costs.

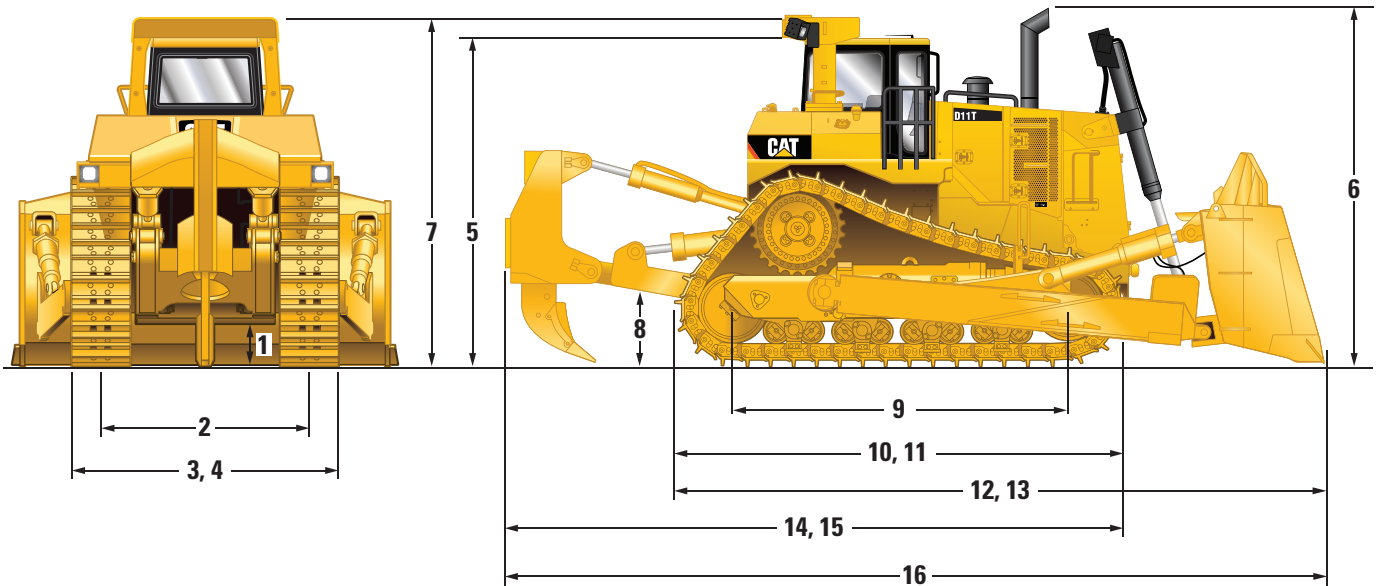
Remanufactured Components

Genuine Cat Remanufactured parts save you money. You receive the same warranty and reliability as new products at cost savings of 40 to 70 percent. Components are available for the drive train, engine, and hydraulics.

D11T/D11T CD Track-Type Tractor Specifications

Dimensions

All dimensions are approximate.



	D11T		D11T CD	
	mm	in	mm	in
1 Ground Clearance	675	26.6	675	26.6
2 Track Gauge	2896	114.0	2896	114.0
3 Width without Trunnions (Standard Shoe)	3782	148.9	3806	149.8
4 Width over Trunnions	4379	172.4	4379	172.4
5 Height (FOPS Cab)	4394	173.0	4394	173.0
6 Height (Top of Stack)	4490	176.8	4490	176.8
7 Height (ROPS/Canopy)	4698	185.0	4698	185.0
8 Drawbar Height (Center of Clevis)	932	36.7	932	36.7
9 Length of Track on Ground	4444	175.0	4444	175.0
10 Overall Length Basic Tractor	6160	242.5	6160	242.5
11 Length Basic Tractor with Drawbar	6160	242.5	6160	242.5
12 Length with SU-Blade*	8579	337.8	8765	345.1
13 Length with U-Blade	8641	340.2	—	—
14 Length with Single-Shank Ripper	8107	319.2	8107	319.2
15 Length with Multi-Shank Ripper	8427	331.8	8427	331.8
16 Overall Length SU-Blade and SS Ripper	10 525	414.4	10 712	421.7

* CD Blade on D11T CD.

Note: D11T shown equipped with 710 mm (28 in) shoes. D11T CD shown equipped with 915 mm (36 in) shoes.

D11T/D11T CD Track-Type Tractor Specifications

Engine

Engine Model	Cat® C32 ACERT™	
Gross Power		
SAE J1995	695 kW	932 hp
ISO 14396	692 kW	928 hp
Net Power		
SAE J1349/ ISO 9249 Min Fan	669 kW	897 hp
SAE J1349/ ISO 9249	634 kW	850 hp
EU 80/1269	634 kW	850 hp
Bore	145 mm	5.7 in
Stroke	162 mm	6.4 in
Displacement	32.1 L	1,959 in ³

Engine – U.S. EPA Tier 4 Final

Engine Model	Cat® C32 ACERT™	
Gross Power		
SAE J1995	681 kW	913 hp
ISO 14396	677 kW	908 hp
Net Power		
SAE J1349/ ISO 9249 Min Fan	663 kW	889 hp
SAE J1349/ ISO 9249	634 kW	850 hp
EU 80/1269	634 kW	850 hp
Bore	145 mm	5.7 in
Stroke	162 mm	6.4 in
Displacement	32.1 L	1,959 in ³

- Engine ratings apply at 1,800 rpm.
- Net power advertised is the power available at the flywheel when the engine is equipped with fan at max speed (unless otherwise noted), air cleaner, muffler, alternator, and engine emissions controls as required.
- No derating required up to 3658 m (12,000 ft) altitude. High altitude attachment available for greater than 3658 m (12,000 ft).

Weights

Operating Weight	104 257 kg	229,848 lb
Shipping Weight	37 485 kg	82,640 lb
Operating Weight – CD	112 698 kg	248,456 lb
Shipping Weight – CD	37 802 kg	83,340 lb

- D11T Operating Weight: Includes blade tilt cylinders, coolant, lubricants, full fuel tank, ROPS, FOPS cab, 11U ABR bulldozer, single-shank ripper with pin-puller, fast fuel, 710 mm (32 in) ES shoes, and operator.
- D11T Shipping Weight: Base machine chassis with cab and pivot shaft. Doesn't include ROPS, ripper, blade, track, or roller frames.
- D11T CD Operating Weight: Includes lubricant, coolant, full fuel tank, 915 mm (36 in) extreme service shoes, 11 Carrydozer, single-shank ripper, and operator.
- D11T CD Shipping Weight: Base machine chassis with cab and pivot shaft. Doesn't include ROPS, ripper, blade, track, or roller frames.

Transmission

1 Forward	3.9 km/h	2.4 mph
2 Forward	6.8 km/h	4.2 mph
3 Forward	11.8 km/h	7.3 mph
1 Reverse	4.7 km/h	2.9 mph
2 Reverse	8.2 km/h	5.1 mph
3 Reverse	14 km/h	8.7 mph
Type	planetary powershift	
Transmission Clutch Diameter	533 mm	21 in

Hydraulic Controls

D11T		
Pump Type	Gear-type pump	
Combined Pump Output (Implement)	620 L/min	164 gal/min
Tilt Pump Flow	155 L/min	41 gal/min
Bulldozer Relief Valve Setting	22 750 kPa	3,300 psi
Tilt Cylinder Relief Valve Setting	24 300 kPa	3,525 psi
Ripper (Lift) Relief Valve Setting	22 750 kPa	3,300 psi
Ripper (Pitch) Relief Valve Setting	22 750 kPa	3,300 psi

D11T CD		
Pump Type – CD	Gear-type pump	
Pump Output (Implement) – CD	670 L/min	177 gal/min
Tilt Cylinder Flow – CD	250 L/min	66 gal/min
Carrydozer Relief Valve Setting	24 135 kPa	3,500 psi
Tilt Cylinder Relief Valve Setting – CD	24 825 kPa	3,600 psi
Ripper (Lift) Relief Valve Setting – CD	24 135 kPa	3,500 psi
Ripper (Pitch) Relief Valve Setting – CD	24 135 kPa	3,500 psi

- Pump output measured at 1,800 engine rpm and 6895 kPa (1,000 psi).
- Electro-hydraulic pilot valves assist operations of ripper and dozer controls.
- Complete system consists of pump, tank with filter, oil cooler, valves, lines, and control levers.

Undercarriage

Shoe Type	Extreme Service	
Width of Shoe	710 mm	28 in
Width of Shoe – CD	915 mm	36 in
Shoes/Side	41	
Grouser Height	102 mm	4 in
Pitch	318 mm	12.5 in
Ground Clearance	675 mm	26.6 in
Track Gauge	2896 mm	114 in
Length of Track on Ground	4444 mm	175 in
Ground Contact Area	6.3 m ²	9,765 in ²
Ground Contact Area – CD	8.1 m ²	12,555 in ²
Track Rollers/Side	8	
Number of Carrier Rollers	1 per side (optional)	

- Sleeve Bearing Track with Positive Pin Retention.

Service Refill Capacities

Fuel Tank	1609 L	425 gal
Fuel Tank – high capacity	1911 L	505 gal
Cooling System	269 L	71.1 gal
Engine Crankcase*	103 L	27.2 gal
Powertrain	344 L	90.9 gal
Final Drives (each)	40 L	10.6 gal
Roller Frames (each)	94 L	24.8 gal
Pivot Shaft Compartment	71 L	18.8 gal
Implement Hydraulic System Tank Only	223 L	58.9 gal

*With oil filters.

Track Roller Frame

Oscillation	351 mm	13.8 in
-------------	--------	---------

Steering and Brakes

Hydraulically applied multiple-disc Steering Clutch	440 mm	17.3 in
Spring applied multiple-disc Brake	612 mm	24.1 in

Standards

ROPS/FOPS

- Rollover Protective Structure (ROPS) meets the following criteria: SAE J1040 MAY94, ISO 3471-1:1994.
- Falling Objects Protective Structure (FOPS) meets the following criteria: ISO 3449:1992 LEVEL II.

Sound

- The operator Equivalent Sound Pressure Level (Leq) is 79 dB(A) when ISO 6396:2008 is used to measure the value for an enclosed cab. This is a dynamic cycle sound exposure level. The cab was properly installed and maintained. The test was conducted with the cab doors and the cab windows closed.
- The exterior sound pressure level for the standard machine measured at a distance of 15 meters according to the test procedures specified in SAE J88 APR95, mid-gear-moving operation, is 87 dB(A).

D11T/D11T CD Track-Type Tractor Specifications

D11T Bulldozer

Tag link dozer coupling brings blade closer for better balance and control.

Blade		11SU ABR	11U ABR	11CD
Blade capacity (SAE J1265)	m ³	27.2	34.4	43.6
	yd ³	35.6	45.0	57.0
Width with blade (over end bits)	mm	5580	6335	6706
	in	219.7	249.4	264.0
Blade height	mm	2753	2828	2955
	in	108.4	111.3	116.3
Digging depth				
Rack back	mm	—	—	688
	in	—	—	27.1
Nominal	mm	766	766	—
	in	30.2	30.2	—
Full dump	mm	—	—	1708
	in	—	—	67.2
Ground clearance				
Rack back	mm	—	—	1846
	in	—	—	72.7
Nominal	mm	1533	1533	—
	in	60.4	60.4	—
Full dump	mm	—	—	307
	in	—	—	12.1
Maximum tilt	mm	1184	1344	1800
	in	46.6	52.9	70.9
Weight*	kg	16 192	18 823	23 600
	lb	35,697	41,498	52,029
Total operating weight** (with blade and single-shank ripper)	kg	101 626	104 257	112 698
	lb	224,047	229,848	248,456

* Does not include hydraulic controls but includes blade cylinders.

** D11T includes blade and single-shank ripper, hydraulic controls, blade cylinders, coolant, lubricants, full fuel tank, 810 mm (32 in) shoes, ROPS, FOPS cab, and operator. D11T CD includes blade and single-shank ripper, hydraulic controls, blade cylinders, coolant, lubricants, full fuel tank, 915 mm (36 in) shoes, ROPS, FOPS cab, and operator.

Ripper

Redesigned ripper frame for improved visibility to ripper tip. Hydraulic tip adjustment cylinders vary shank angle to aid penetration and help lift and shatter rock.

		D11T			D11T/D11T CD	D11T CD
		Single-shank	Single-shank Deep Ripping Arrangement	+ Multi-shank Arrangement	Single-shank	+ Multi-shank Arrangement
Overall beam width	mm	—	—	3330	—	3330
	in	—	—	131.1	—	131.1
Maximum penetration force* (shank vertical)	kN	288	292	277	326	306
	lb	64,745	65,644	62,272	73,288	68,792
Maximum penetration (standard tip)	mm	1612	2172	1070	1612	1070
	in	63.5	85.5	42.1	63.5	42.1
Pryout force (multi-shank ripper with one tooth)	kN	660	657	646	642	650
	lb	148,374	147,700	145,227	144,327	146,126
Maximum clearance raised (under tip, pinned in bottom hole)	mm	1115	878	1137	1115	1137
	in	43.9	34.6	44.8	43.9	44.8
Number of shank holes		4	3	2	4	2
Weight (without hydraulic controls)	kg	9643	10 022	9698	12 733	12 025
	lb	21,259	22,095	21,380	28,071	26,511
		with 11U ABR blade and ripper			with 11CD blade and ripper	
Total operating weight**	kg	104 257	104 636	104 312	112 698	111 990
	lb	229,848	230,684	229,969	248,456	246,896

* Specifications are converted from British to metric measure and rounded.

** D11T includes blade and single-shank ripper, hydraulic controls, blade cylinders, coolant, lubricants, full fuel tank, 810 mm (32 in) shoes, ROPS, FOPS cab, and operator. D11T CD includes blade and single-shank ripper, hydraulic controls, blade cylinders, coolant, lubricants, full fuel tank, 915 mm (36 in) shoes, ROPS, FOPS cab, and operator.

+ Includes one shank. Add 671 kg (1,479 lb) for each additional shank.

Note: Single-shank, deep ripping arrangement weight includes required pin puller.

D11T/D11T CD Track-Type Tractor Standard Equipment

Standard equipment may vary. Consult your Cat dealer for details.

ELECTRICAL

Alternator, 150 amp
Back up alarm
Batteries, 12-volt (4), 200 amp-hour
Converter, 12-volt, 25 amp
Diagnostic connector
Horn, forward warning
Light, engine compartment
Lighting system, 5 HID/6 Halogen
Starting receptacle

OPERATOR ENVIRONMENT

Advisor-electronic monitoring system
Air conditioner and heater
Armrest, adjustable
Cab, FOPS
Deactivation switch, hydraulic controls
Decelerator, pedal
Finger Tip Control (FTC) steering
Governor switch, electronic
Hydraulic system
electronically controlled for bulldozer control
Mirror, rearview
Radio ready, entertainment
ROPS rollbar
Seat belt, retractable 76 mm (3 in)
Wipers, intermittent, low and high speeds

POWERTRAIN

C32 with ACERT Technology
24-volt electric start
Aftercooler, air-to-air
Air filters, dual with precleaner
Aluminum Bar Plate Cooling System
Controlled throttle shifting
Coolant, extended life
Directional shift management
Ether starting aid, automatic
Four planet, double-reduction planetary
final drives
Fuel priming pump, electric
Mufflers, dual
Parking brake, electronic
Prescreener
Separator, water/fuel
Thermal shields
Torque divider
Transmission, powershift
(3F/3R speeds)

UNDERCARRIAGE

Rollers and idlers, lifetime lubricated
Sprocket rim segments, replaceable
Suspension-type undercarriage,
eight-roller tubular track roller frame
Three bolt idler and roller caps
Track adjusters, hydraulic
Track guides
Two-piece master links

SAFETY AND SECURITY

Fender guard rails
Heavy duty steps and handles
Operator presence detection

OTHER STANDARD EQUIPMENT

Auto-blade assist
CD ROM parts book
Dual-tilt blade control
Ecology drains
Fluid sampling ports
Grade control ready
Ground level service center
Ripper Hydraulics
Vandalism, protection (8 caplocks)

D11T/D11T CD Track-Type Tractor Optional Equipment

Optional equipment may vary. Consult your Cat dealer for details.

GUARDS

Bottom guards
Engine enclosure

OPERATOR STATION

Cab glass:
276 kPa (40 psi) with precleaner
Dual pane with precleaner
Heated and ventilated seat
Operator arrangement
(improves comfort for smaller operators)
Visibility arrangements (camera and mirrors)

POWERTRAIN

Engine precleaner
Engine prelube
High altitude arrangements
Radiator arrangements:
High debris
Mesabi
Reversible cooling fan
Remote high speed oil change system

UNDERCARRIAGE

Carrier rollers
Tracks, sleeve bearing, sealed and lubricated
710 mm (28 in) PPR extreme service
810 mm (32 in) PPR extreme service
915 mm (36 in) PPR extreme service
Undercarriage arrangements
Cold weather
Sound and abrasion resistant

BULLDOZER ATTACHMENTS

11CD Abrasion resistant blade
11SU Abrasion resistant blade
11SU No wear plate
11U Abrasion resistant blade

RIPPER ATTACHMENTS

Counterweight, rear
Drawbar, rear
Multi shank:
Carrydozer
Deep
Standard
Single shank:
Carrydozer/heavy
Push block
Standard

TECHNOLOGY

Autocarry
Automatic Ripper Control
Terrain for Grading
VIMS with Product Link

SAFETY AND SECURITY

Powered access ladder
Rear access platform

OTHER ATTACHMENTS

Grease points
Heater, engine coolant
Heater, fuel
High capacity fuel tank
Hydraulic pump screens

D11T/D11T CD Track-Type Tractor

For more complete information on Cat products, dealer services, and industry solutions, visit us on the web at www.cat.com

© 2011 Caterpillar Inc.
All rights reserved

AEHQ6271 (05-2011)

Materials and specifications are subject to change without notice. Featured machines in photos may include additional equipment. See your Cat dealer for available options.

CAT, CATERPILLAR, SAFETY.CAT.COM, their respective logos, "Caterpillar Yellow" and the "Power Edge" trade dress, as well as corporate and product identity used herein, are trademarks of Caterpillar and may not be used without permission.

