

KramerAllrad

**4 wheel manoeuvrability
Superior stability
Power in abundance**



**NEW ENTRY
INTO
4 WHEEL
DRIVING**

KRAMERALLRAD
318

418

NEW LOADER CATEGORY

- PROFITABLE
- POWERFUL
- RELIABLE
- COMPACT

418

318

0.85 - 1.3 m³ bucket

2550 kg payload on pallet forks

factor 1.25

60 HP/44 kW

2.75 m turning radius between kerbs

0.65 - 1.0 m³-bucket

2200 kg payload on pallet forks

factor 1.25

50 HP/37 kW

2.65 m turning radius between kerbs

Kramer's new generation loader has the sheer power to perform for you. Sturdy and reliable, designed for frequent changes of drivers. Joystick control and selection of driving modes for easy handling of the machine.

Kramer's 18 series is the ideal partner for profitable applications.

Full buckets

Excellent tilt-back angle from the lowest to the highest position.

- no loss of material
- full buckets



High payload

Clear-concept design for high payloads.

Smooth work

Kramer's 18 series loaders come with standard float position. Ever so easy to grade the soil: the loader unit presses onto the soil with its own weight only, and not with the hydraulic system.

Compact

Kramer's new 18 series is extremely compact and allows for easy transport on lorries. Short dimensions, increased manoeuvrability and power to spare – the 18 series will tackle any job on confined construction sites.

Simple handling

Sturdy loaders ideal for frequent changes of drivers. Two drive modes to choose from:
Power – for tough applications
Eco – fuel-efficient and low noise for goods handling and long-haul travel.

Safety

Parallel linkage lifts loads without changing the angle of the fork arms.

Visibility

Large windows and short curved engine cover for optimal visibility in all driving situations.

Easy maintenance

Maintenance-free cardan shafts, steering axles and differentials.

Entrance

Nonslip footholds in an undivided frame for safe access.

Manoeuvrability

High steering angles ensure superior manoeuvrability of Kramer's 4 wheel steering – for the 18 series loaders as well.

Ride comfort

Long wheelbase for smooth handling.

Sturdy

The new frame is folded. No welding seams in highly stressed areas.





GET THERE, AND GET THE JOB DONE!

Both 18 series machines come with impressive performance, and they are just as much worth as their bigger counterparts.

But there's one thing they do have the others don't: full performance packaged in compact dimensions. Passages, confined construction sites, transport on lorries, you name it: nothing will stop you with a 318 or 418 wheel loader.

And together with 4 wheel steering, they will give you best results in any job. Especially if your work is constantly changing.

Compact dimensions doesn't mean high-sided lorries can't be loaded. The long, curved loader unit allows for excellent load-over heights, and silos and lorries can be approached easily.

POWER

ECO

OPTIMAL PUSH BUTTON CONTROLS

Most power trains are hydraulically controlled, but not so with the 318 and 418 loaders, which are electronically controlled.

With a significant advantage: the driver has the choice of two optimized driving modes.

1 - Power: For difficult off-road applications.

2 - Eco: For high driving speeds and low engine revs. Low noise and fuel-saving operation. Best mode for goods handling or long-haul travel.

Skilled drivers appreciate the extra comfort, and occasional drivers get extra safety and support.



ANY WORK IN NO TIME

Approach



Hitch



Lock



New quickhitch with significant advantages.

See-through design gives you best visibility of the implement and the catch-hooks. It's as easy as this: approach, hitch and lock. Hydraulically, without

leaving your seat. This works in rough terrain as well, or if the implement is in a slanting position. What's more, we have given detailed thought to tough applications: The lock ram has now been integrated, and is sealed and well protected from damage.

The large 4-point suspension evenly distributes the load.

And of course, you can always use the Kramer implements you already have and hitch them onto the new hydraulic system.

GOOD ACCESSIBILITY FOR EASY MAINTENANCE

The 18 series benefits from Kramer's high maintenance standard. Cardan shafts and axles are maintenance-free, the oscillating pin has longlife lubrication. Lubrication required only every 600 hours, together with an engine oil change.

Outstanding accessibility thanks to the low, curved rear end. Convenient access to all service points, such oil and coolant level, filler pipes for engine and hydraulic oil as well as all filters.

Chafing is avoided by attaching all hoses with clamps.



Specifications

Engine

Water-cooled four-cylinder Perkins 704-30 diesel engine, 37 kW/50 HP (DIN 70020) at 2300 rpm.

Powertrain

Hydrostatic drive with automotive control.

4 wheel steering

Front and rear steering and drive axles with 2 x 40° steering angles to both sides, self-synchronizing.

Axles

Planetary axles, rear 17° oscillating axle. Self-locking front and rear 40 % differentials.

Brakes

Service brake: self-adjusting disc brake system. Additional brake force via the hydrostatic drive.

Parking brake: mechanical disc type.

Tyres

12.5 - 18 10 MPT (standard)
335/80 R 18 XM 27 Michelin
365/70 R 18 70E wide base
365/70 R 18 SPT 9 wide base

Work and steering hydraulics

50 l/min at 2300 min⁻¹
210 bar, reflux/suction filter, 50 l tank, hydrostatic 4 wheel steering with emergency steering features, priority valve

Drive speed

0 – 20 kph

Cab

ROPS tested.

Noise levels

Outside 97 db (A)
Inside 72 db (A)

Other equipment

as per StVZO (German road use registration)

Weights and dimensions

All specifications stated with standard tyres and standard equipment
Standard bucket

Heaped capacity (ISO)	0.65 m ³
Width	1.65 m
Bucket capacity	0.65 – 1.00 m ³
Dump-in angle	50°
Dump-out angle	45°
Pallet height	2.80 m

Breakout force (ISO 8313)

Lift ram	31.0 kN (3080 kp)
Tilt ram	29.0 kN (2900 kp)
Shipping weight	
with closed cab	about 3800 kg
with open cab	about 3750 kg
Scraping depth	50 mm
Ground clearance	320 mm
Turning radius	
between kerbs	2.65 m
between walls	3.50 m

Side swing bucket

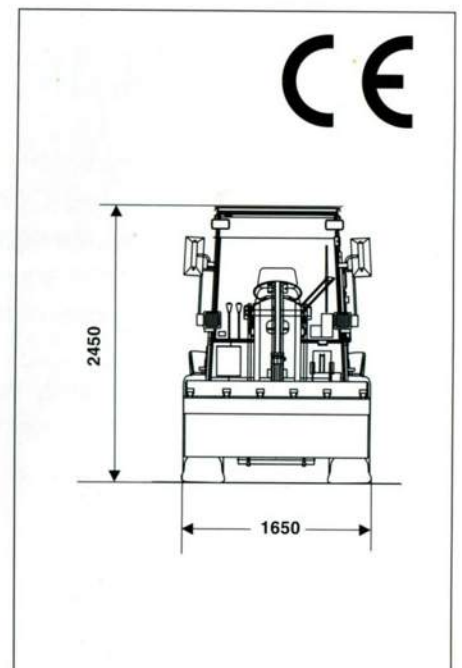
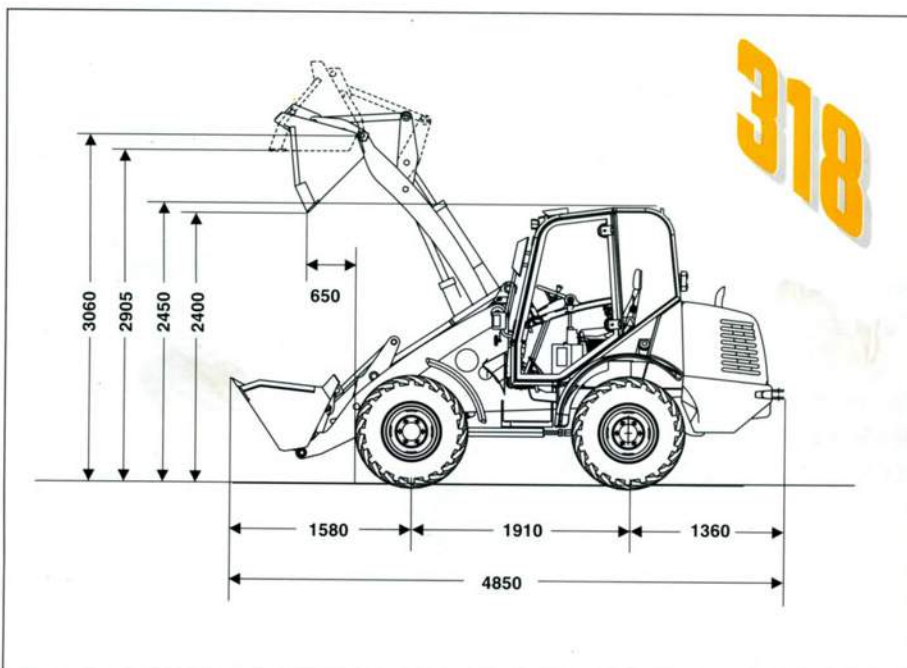
Lateral dump height 3.13 m

Payload on pallet forks

Tipping load (ISO 83 13)	2250 kg
Payload factor 1.25	1800 kg
factor 1.67	1350 kg
Movable payload in lower transport position	
factor 1.25	2200 kg

Always carry loads close to the ground.

Valid for standard tyres with specified tyre pressure, original Kramer quickhitch and original Kramer pallet forks.



KramerAllrad

Specifications

Engine

Water-cooled four-cylinder Perkins 704-30 diesel engine, 44 kW/60 HP (DIN 70020) at 2300 rpm.

Powertrain

Hydrostatic drive with automotive control.

4 wheel steering

Front and rear steering and drive axles with 2 x 40° steering angles to both sides, self-synchronizing.

Axles

Planetary axles, rear 17° oscillating axle. Self-locking front and rear 40 % differentials.

Brakes

Service brake: self-adjusting disc brake system. Additional brake force via the hydrostatic drive.

Parking brake: mechanical disc type.

Tyres 12.5 - 20 MPT 10 PR (standard)
14.5 - 20 MPT 12 PR
375/75 R20 XM 27 Michelin
405/70 R 18 MPT 70E wide base
405/70 R18 SPT 9 wide base

Work and steering hydraulics

70 l/min at 2300 min⁻¹
210 bar, reflux/suction filter, 50 l tank,
hydrostatic 4 wheel steering with emergency steering features, priority valve

Drive speed

0 – 20 kph

Cab

ROPS tested.

Noise levels

Outside 97 db (A)
Inside 72 db (A)

Other equipment

as per StVZO (German road use registration)

Weights and dimensions

All specifications stated with standard tyres and standard equipment

Standard bucket
Heaped capacity (ISO) 0.85 m³
Width 1.75 m
Bucket capacity 0.85 – 1.30 m³
Dump-in angle 50°
Dump-out angle 45°
Pallet height 3.00 m

Breakout force (ISO 8313)

Lift ram	40.0 kN (4077 kp)
Tilt ram	35.0 kN (3567 kp)
Shipping weight	
with closed cab	about 4300 kg
with open cab	about 4240 kg
Scraping depth	60 mm
Ground clearance	350 mm
Turning radius	
between kerbs	2.75 m
between walls	3.53 m

Side swing bucket

Lateral dump height 3.21 m

Payload on pallet forks

Tipping load (ISO 83 13)	2700 kg
Payload factor 1.25	2100 kg
factor 1.67	1570 kg
Movable payload in lower transport position	
factor 1.25	2550 kg

Always carry loads close to the ground.

Valid for standard tyres with specified tyre pressure, original Kramer quickhitch and original Kramer pallet forks.

