

VOLVO SKID STEER LOADERS

MC110C, MC115C, MC125C, MC135C, MC155C

2250 lbs (1009 kg) - 3295 lbs (1495 kg) / 84 - 92 hp



A PASSION FOR PERFORMANCE.

At Volvo Construction Equipment, we're not just coming along for the ride. Developing products and services that raise productivity – we are confident we can lower costs and increase profits for industry experts. Part of the Volvo Group, we are passionate about innovative solutions to help you work smarter – not harder.

Helping you to do more

Doing more with less is a trademark of Volvo Construction Equipment. High productivity has long been married to low energy consumption, ease of use and durability. When it comes to lowering life-cycle costs, Volvo is in a class of its own.

Designed to fit your needs

There is a lot riding on creating solutions that are suited to the particular needs of different industry applications. Innovation often involves high technology – but it doesn't always have to. Some of our best ideas have been simple, based on a clear and deep understanding of our customers' working lives.



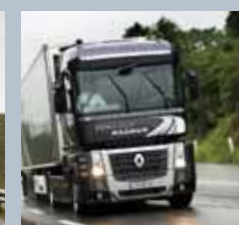
You learn a lot in 175 years

Over the years, Volvo has advanced solutions that have revolutionized the use of construction equipment. No other name speaks Safety louder than Volvo. Protecting operators, those around them and minimizing our environmental impact are traditional values that continue to shape our product design philosophy.

We're on your side

We back the Volvo brand with the best people. Volvo is truly a global enterprise, one that is on standby to support customers quickly and efficiently – wherever they are.

We have a passion for performance.



Volvo Trucks

Renault Trucks

Mack Trucks



UD Trucks

Volvo Buses

Volvo Construction Equipment

Volvo Penta

Volvo Aero

Volvo Financial Services

WORK COMFORTABLY.

It's proven that less fatigue means more productivity. The Volvo cab has it all. It features comfortable operation, both at the controls and in regard to its low noise level. It also has plenty of personal space to make operators feel more at ease.

Comfort cab

The redesigned Volvo cab is spacious and safe. Offers operators 27% more interior space over previous Volvo models. Meets applicable ROPS/FOPS safety standards. Ergonomic comfort for prolonged operator productivity.

Ample storage

Both pods have cushioned armrests and left hand pod has storage. Ideal for securing and storing personal items such as phones, music players, keys and more. Easily accessible. A 12V power outlet is located inside the left pod storage area.



Noise reduction

Each model – whether canopy or enclosed cab – is designed for limited noise in and around the operator environment. Lower noise reduces operator fatigue, for more comfortable operation.

Instrument control

Instrument consoles in each upper front cab corner provide a quick, simple view of all key gauges and warnings. Simplicity in presentation of instrument information. Positioned for comfortable, easy viewing.



Cab access

Cab access is safer through the side entry, large opening door. Eliminates the need to climb over a muddy/slippery bucket or attachment. Does not require the operator to perform an uncomfortable body turn in order to sit down. Safely step in and out of the cab with a bolt-on, non-slip step under the side door.

DESIGNED FOR PERFORMANCE.



Loader design

The unique, single loader arm design delivers the loading performance and durability of a traditional design, along with the safety, improved visibility and enhanced cab access of a side-entry, low tower design.

Our unique, single loader arm design affords operators many performance advantages. It's durable, it's safe and it provides excellent visibility. With high capacity and built in durability, you can perform at a higher level.

Greater fuel capacity

Best-in-class fuel tank capacity means longer operating shifts and more productivity. Spend less downtime refueling.



Vertical lift

Excellent vertical lift that is ideal for truck loading and material handling applications. Features increased tip height and reach. Also delivers increased lift capacity for efficiency in repeated load & carry operations.



Loader pivot pins

Loader arm pivot pins are stronger and larger than most competitors. Effectively distributes the load over the single arm design. Provides durability and longevity.

EASIER SERVICE. LONGER LIFE.

Access greater uptime with user-friendly serviceability. Perform routine daily checks or access major components. It's all within easy access. This means you spend less time maintaining your machine and more time earning money.

O-ring face seals

Hydraulic connections use o-ring face seal fittings to eliminate hydraulic leaks. Helps resist loosening due to line vibrations and twisting. Saves machine downtime and service costs.



Genuine Volvo parts

Your local Volvo dealer backs you and your operation with a ready supply of genuine Volvo parts that are perfectly matched to your machine.



Tilting cab

For major service, the entire cab can be tilted forward by the removal of just two bolts from inside the cab. Gas struts automatically lock into place for safe, easy access to key internal components.



Service access

Excellent service access thanks to a single loader arm, a forward-tilting cab and a large rear compartment door. Simple, safe access to all service and maintenance areas. When service is easy to perform, it's more likely to be completed, providing longer operating life.

SEE IT ALL. DO IT ALL.



Visibility

The single tower loader arm design – with no horizontal cross member – provides all-around, class-leading visibility. Features a large top window and narrow ROPS cab pillars. Increased safety when operating in tight areas.

You know the work is out there. And when you can see it all clearly, you can get more of it done. Experience leading visibility all around the jobsite. Work in safety. Work with peace of mind. Work with your Volvo skid steer loader.

Cab door

The clear, side door is the entire length of the cab, providing improved visibility without the challenges found in other side mesh cages. Door opens wide to 75 degrees for easy entry and exit of the cab. Easy to access for operators of all sizes.



Loader arm service position

The side entry/exit of the cab allows the operator to engage the loader arm support without the aid of a second person by safely exiting the machine to the side and walking round the rear.



ROPS/FOPS safety

Provides peace of mind and safety by protecting the operator in the event of machine roll over and/or overhead falling objects.

TAKE A SPIN AROUND.



Cab

Redesigned for spacious, safe comfort with ROPS/FOPS safety.



Loader design

Single loader arm design for performance, durability, improved visibility and enhanced side-entry cab access.

Versatility

More flexibility to handle more jobs with just one machine.

Vertical lift

Ideal lift, tip height and reach for truck loading and material handling applications.

Radial lift

Ideal loader path for heavy duty attachments and ground engaging applications.

Attachments

The versatility and power to use a wide range of attachments in a multitude of applications.





Visibility

Single tower loader arm and large top window for all-around, class-leading visibility.



Cab access

Safer side entry access eliminates the need to climb over a muddy/slippery bucket or attachment.



Service access

Simple, safe access to all service and maintenance areas with a forward-tilting cab and a large rear compartment door.

Fuel tank capacity

Best-in-class fuel tank capacity means longer operating shifts and more productivity.

ATTACH AND GO.

Unleash your machine's true flexibility and versatility with a wide range of profit-increasing attachments. Whether the job calls for hauling earth, cutting trenches, digging postholes, moving palletized material or moving bulky items, you're ready with one machine: your Volvo skid steer loader.

A sample of some of the attachments offered

6 in 1 bucket

Provides versatile material handling to dig, load, dump, push, grapple and level. Adds machine flexibility for a wide range of applications. Provides good visibility to the attachment edge.

Scrap grapple

The easy way to handle bulky or loose material of varying sizes, not just in scrap applications.. High-capacity handling with excellent material retention. Provides excellent ground visibility for safe handling. Strength and durability for long life.



Auger

Powerful, smooth and easy for fast, effective ground hole drilling. Accepts multiple auger bits for application versatility. Hydraulically powered. Protected couplings for dependability, long life and lower costs.

Trencher

Ideal for utility trenching and pipe laying. High torque hydraulic motor. Heavy-duty design for dependability and long life. Provides maximum digging power for faster work. Greater versatility for increased profit opportunity.

Dozer blade

Heavy-duty, dozer blade effectively pushes and removed material. Replaceable wear parts prolong life. Optimum pushing power for fast work in heavy conditions. Year-round versatility, for use in snow and loose dirt.



Pallet forks

For pallet and material handling. Heavy-duty design provides fork strength to handle all the loads. Maximum open space between frame structure. Ideal visibility for fast, safe material handling.



Broom

A wide range of brooms are available for versatility to suit multiple applications. Ideal for site cleanup, public maintenance, debris pickup and more. Provides an optimal view for safe, quick work. Fast, effective cleanup of debris.



Landscape bucket

Provide versatility and material retention. Long bucket floor length for excellent material retention. Optimal view of the cutting edge or fast, precision grading. Durable, long lasting performance even in tough conditions.

BUILT TO RUN. SUPPORTED FOR LIFE.

Whether its an articulated hauler or a skid steer loader, Volvo will support the machine to the same high degree. The new skid steer loaders have all the parts and service support one would expect from a Volvo product, with a strong team of dealers on hand to assist.

Dealer support network

Whatever you do. Wherever you go. Your Volvo Construction Equipment dealer is there with you – around the globe. A comprehensive range of dependable Volvo equipment. Trusted industry experience. Reliable parts and service support. Your local Volvo dealer is the right place to find the right solution.

State-of-the-art machines require state-of-the-art support and your Volvo dealer can provide a catalogue of services designed to get the

most out of your machine, helping you maximise uptime, productivity and residual value. Your Volvo dealer can provide a number of sophisticated support offers, including:

Service plans ranging from routine wear inspections, through to comprehensive maintenance and repair agreements.

Analysis and diagnostics to help you understand how your machine is running, highlight potential maintenance issues and identify where performance can be improved.



Service & support

Your dealer is also ready to help you stay working with expert, trained service and support. With trusted industry experience and solutions for all your jobs, Volvo helps you improve your owning and operating costs.



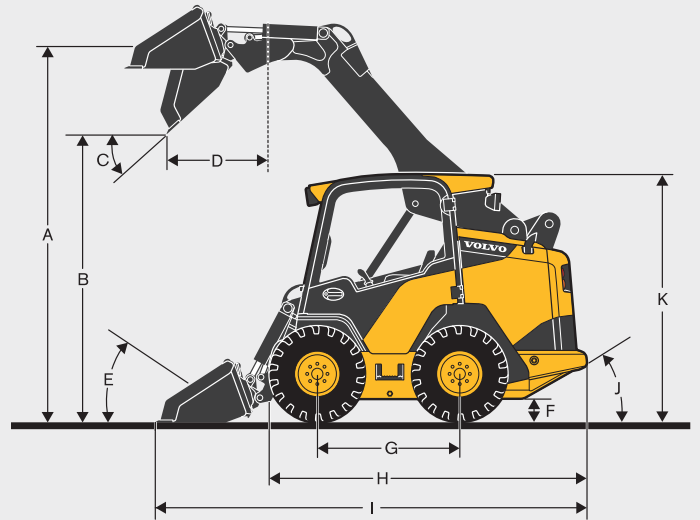
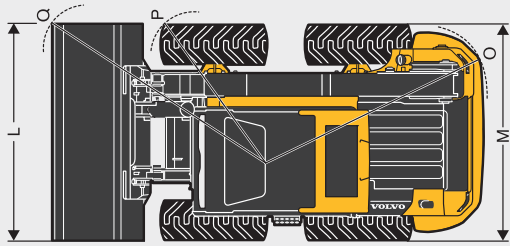
Taking care of your needs

Rely on your local Volvo dealer for all the support services you need. They've got the tools to help you do more and make more profit on each job.

VOLVO MC110C, MC115C, MC125C IN DETAIL.



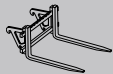
	MC110C		MC115C		MC125C	
Engine						
Model	JCB Dieselmax TC-63		JCB Dieselmax TC-63		JCB Dieselmax TC-63	
Cylinders	4		4		4	
Fuel type	Diesel		Diesel		Diesel	
Displacement	268 in ³	4399 cm ³	268 in ³	4399 cm ³	268 in ³	4399 cm ³
Aspiration	Turbo		Turbo		Turbo	
Cooling system	Water		Water		Water	
Horsepower						
SAE gross @ 2400	84 hp	63 kW	84 hp	63 kW	84 hp	63 kW
SAE net	84 hp	63 kW	84 hp	63 kW	84 hp	63 kW
Max. gross torque @ 1800	267 lb-ft	362 Nm	267 lb-ft	362 Nm	267 lb-ft	362 Nm
Max. no load speed	2450 rpm	2450 rpm	2450 rpm	2450 rpm	2450 rpm	2450 rpm
Rated speed	2200 rpm	2200 rpm	2200 rpm	2200 rpm	2200 rpm	2200 rpm
Electrical system						
Battery	12 V - 95 Ah		12 V - 95 Ah		12 V - 95 Ah	
Alternator	95 Ah		95 Ah		95 Ah	
Starter	2.72 hp	2 kW	2.72 hp	2 kW	2.72 hp	2 kW
Drivetrain						
Axle diameter	2.28"	58 mm	2.28"	58 mm	2.28"	58 mm
Drive chain	RS100 HT		RS100 HT		RS100 HT	
Tires/tracks	12x16.5 - 10 pr		12x16.5 - 10 pr		12x16.5 - 10 pr	
Hydraulics system-loader						
Std hydraulic pump output flow @ 2200rpm	23 gpm	87 lpm	23 gpm	87 lpm	23 gpm	87 lpm
High flow pump output @ rated rpm	35.7 gpm	135 lpm	35.7 gpm	135 lpm	35.7 gpm	135 lpm
System pressure	3335 psi	230 bar	3335 psi	230 bar	3335 psi	230 bar
Service capacities						
Cooling system	4.1 US gal	15,5 l	4.1 US gal	15,5 l	4.1 US gal	15,5 l
Engine crankcase with filter, change	15.9 qt	15 l	15.9 qt	15 l	15.9 qt	15 l
Fuel tank	27.2 US gal	103 l	27.2 US gal	103 l	27.2 US gal	103 l
Hydraulic system - total capacity	15.9 US gal	60 l	15.9 US gal	60 l	15.9 US gal	60 l
Hydraulic reservoir capacity	6.9 US gal	26 l	6.9 US gal	26 l	6.9 US gal	26 l
Performance						
Lift arm path	Radial		Vertical		Vertical	
Rated operating capacity (SAE)	2250 lbs	1021 kg	2600 lbs	1179 kg	2800 lbs	1270 kg
Tipping capacity (SAE)	4908 lbs	2226 kg	5448 lbs	2471 kg	5608 lbs	2543 kg
Operating weight (SAE)	7709 lbs	3497 kg	7971 lbs	3615 kg	8060 lbs	3655 kg
Breakout force, lift	5513 lbs	2500 kg	5884 lbs	2669 kg	5884 lbs	2669 kg
Breakout force, curl	5699 lbs	2585 kg	5699 lbs	2585 kg	5699 lbs	2585 kg
Maximum travel speed						
Single speed	6.8 mph	10,9 km/h	6.8 mph	10,9 km/h	6.8 mph	10,9 km/h
Two speed	6.8 / 12.4 mph	10,9 / 20 km/h	6.8 / 12.4 mph	10,9 / 20 km/h	6.8 / 12.4 mph	10,9 / 20 km/h
Cycle time						
Raise (lifting)	3.5 seconds		5.1 seconds		5.1 seconds	
Lower (power down)	2.3 seconds		3.5 seconds		3.5 seconds	



- A Height to hinge pin
- B Dump height
- C Dump angle
- D Dump reach
- E Roll back angle
- F Ground clearance
- G Wheelbase
- H Overall length (L/bucket)
- I Overall length (W/bucket)
- J Angle of departure
- K Overall height
- L Bucket width
- M Over tire width (L/bucket)
- O Turning radius rear
- P Turning radius front L/bucket
- Q Turning radius front W/bucket

	A	B	C	D	E	F	G	H
MC110C	10'5" (3175)	8'1" (2460)	42°	1'11" (590)	30°	9.4" (238)	4' (1220)	8'11" (2710)
MC115C	10'5" (3175)	8'1" (2460)	42°	2'10" (870)	30°	9.4" (238)	4' (1220)	8'11" (2710)
MC125C	10'5" (3175)	8'1" (2460)	42°	2'10" (870)	30°	9.4" (238)	4' (1220)	9'1.5" (2780)

	I	J	K	L	M	O	P	Q
MC110C	12'2" (3690)	28.7°	6'10" (2090)	6'1" (1850)	6'0" (1830)	5'9.5" (1760)	4'10.5" (1480)	7'3" (2200)
MC115C	12'2" (3690)	28.7°	6'10" (2090)	6'1" (1850)	6'0" (1830)	5'9.5" (1760)	4'10.5" (1480)	7'3" (2200)
MC125C	12'4" (3760)	28.7°	6'10" (2090)	6'1" (1850)	6'0" (1830)	5'9.5" (1760)	4'10.5" (1480)	7'3" (2200)

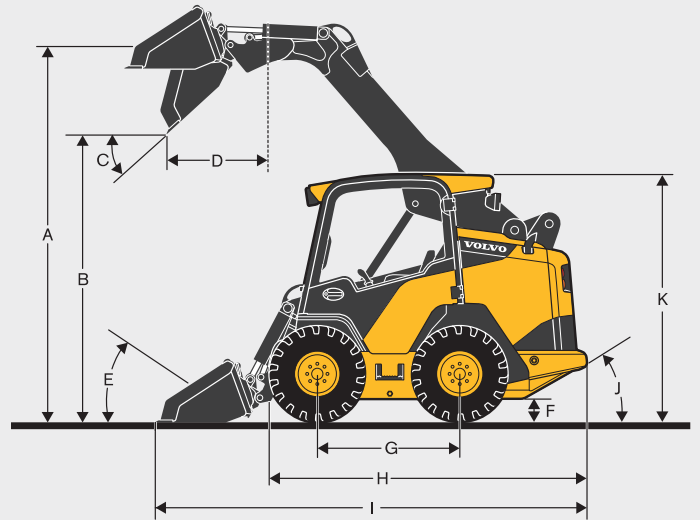
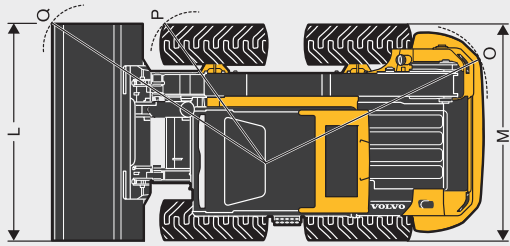
Pallet forks		Overall height	Overall width	Overall length	Adjustable tine spacing		Pallet fork rating	Overall weight
		in (mm)	in (mm)	in (mm)	min. in (mm)	max. in (mm)	(pair of tines) lbs (kg)	lbs (kg)
MC110C	PF-42	38.75 (984)	45.75 (1194)	51.7 (1313)	9 (229)	45 (1143)	6000 (2722)	455 (206)
MC115C								
MC125C								

Data according to bucket type	Bucket		Length in (mm)	Height in (mm)		
		Width in (mm)			Weight lbs (kg)	Heaped cap cf³ (m³)
MC110C MC115C MC125C	Dirt Bucket	66 (1676)	32.8 (833)	20.5 (521)	441 (200)	13.9 (0,39)
	Dirt Bucket	72 (1829)	32.8 (833)	20.5 (521)	471 (213)	15.2 (0,43)
	Dirt Bucket	78 (1981)	32.8 (833)	20.5 (521)	540 (245)	16.5 (0,47)
	Dirt Bucket	84 (2133)	32.8 (833)	20.5 (521)	573 (260)	17.8 (0,5)
	Landscape Bucket	66 (1676)	38.8 (986)	20.5 (521)	479 (217)	17.2 (0,48)
	Landscape Bucket	72 (1829)	38.8 (986)	20.5 (521)	511 (232)	18.9 (0,54)
	Landscape Bucket	78 (1981)	38.8 (986)	20.5 (521)	582 (264)	17.2 (0,49)
	Landscape Bucket	84 (2133)	38.8 (986)	20.5 (521)	615 (276)	22.3 (0,63)
	Multi Purpose Bucket	66 (1676)	34.4 (874)	27.3 (693)	571 (259)	15.7 (0,44)
	Multi Purpose Bucket	72 (1829)	37.5 (953)	27.6 (701)	774 (351)	20 (0,57)
	Multi Purpose Bucket	78 (1981)	38 (965)	27.9 (709)	841 (381)	21.7 (0,64)
	Multi Purpose Bucket	84 (2133)	38 (965)	27.9 (709)	884 (401)	23.4 (0,66)

VOLVO MC135C, MC155C IN DETAIL.



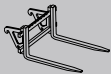
	MC135C		MC155C	
Engine				
Model	JCB Dieselmax TC-68		JCB Dieselmax TC-68	
Cylinders	4		4	
Fuel type	Diesel		Diesel	
Displacement	268 in ³	4399 cm ³	268 in ³	4399 cm ³
Aspiration	Turbo		Turbo	
Cooling system	Water		Water	
Horsepower				
SAE gross @ 2400	92 hp	68,6 kW	92 hp	68,6 kW
SAE net	92 hp	68,6 kW	92 hp	68,6 kW
Max. gross torque @ 1800	301 lb-ft	408 Nm	301 lb-ft	408 Nm
Max. no load speed	2450 rpm	2450 rpm	2450 rpm	2450 rpm
Rated speed	2200 rpm	2200 rpm	2200 rpm	2200 rpm
Electrical system				
Battery	12 V - 95 Ah		12 V - 95 Ah	
Alternator	95 Ah		95 Ah	
Starter	2.72 hp	2 kW	2.72 hp	2 kW
Drivetrain				
Axle diameter	2.28"	58 mm	2.28"	58 mm
Drive chain	RS100 HT		RS100 HT	
Tires/tracks	12x16.5 - 10 pr		12x16.5 - 10 pr	
Hydraulics system-loader				
Std hydraulic pump output flow @ 2200rpm	23 gpm	87 lpm	23 gpm	87 lpm
High flow pump output @ rated rpm	35.7 gpm	135 lpm	35.7 gpm	135 lpm
System pressure	3335 psi	230 bar	3335 psi	230 bar
Service capacities				
Cooling system	4.1 US gal	15,5 l	4.1 US gal	15,5 l
Engine crankcase with filter, change	15.9 qt	15 l	15.9 qt	15 l
Fuel tank	27.2 US gal	103 l	27.2 US gal	103 l
Hydraulic system - total capacity	15.9 US gal	60 l	15.9 US gal	60 l
Hydraulic reservoir capacity	6.9 US gal	26 l	6.9 US gal	26 l
Performance				
Lift arm path	Vertical		Vertical	
Rated operating capacity (SAE)	3000 lbs	1361 kg	3295 lbs	1495 kg
Tipping capacity (SAE)	6024 lbs	2732 kg	6590 lbs	2989 kg
Operating weight (SAE)	8430 lbs	3823 kg	8728 lbs	3959 kg
Breakout force, lift	5809 lbs	2634 kg	5809 lbs	2634 kg
Breakout force, curl	7187 lbs	3260 kg	7187 lbs	3260 kg
Maximum travel speed				
Single speed	6.8 mph	10,9 km/h	7.3 mph	11,7 km/h
Two speed	6.8 / 12.4 mph	10,9 / 20 km/h	7.3 / 13.5 mph	11,7 / 21,7 km/h
Cycle time				
Raise (lifting)	5.1 seconds		5.1 seconds	
Lower (power down)	3.5 seconds		3.5 seconds	

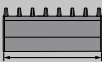


- A Height to hinge pin
- B Dump height
- C Dump angle
- D Dump reach
- E Roll back angle
- F Ground clearance
- G Wheelbase
- H Overall length (L/bucket)
- I Overall length (W/bucket)
- J Angle of departure
- K Overall height
- L Bucket width
- M Over tire width (L/bucket)
- O Turning radius rear
- P Turning radius front L/bucket
- Q Turning radius front W/bucket

	A	B	C	D	E	F	G	H
MC135C	10'5" (3175)	8'1" (2460)	42°	2'11" (900)	30°	9.4" (238)	4' (1220)	9'0" (2740)
MC155C	10'6" (3200)	8'2" (2490)	42°	2'11" (900)	30°	9.8" (248)	4' (1220)	9'0" (2740)

	I	J	K	L	M	O	P	Q
MC135C	12'5" (3780)	28,7°	6'10" (2090)	6'1" (1850)	6'0" (1830)	5'9.5" (1760)	4'10.5" (1480)	7'3" (2200)
MC155C	12'7" (3840)	29,1°	6'11" (2110)	6'6" (1980)	6'2" (1880)	5'9.5" (1760)	4'10.5" (1480)	7'3" (2200)

Pallet forks		Overall height	Overall width	Overall length	Adjustable tine spacing		Pallet fork rating	Overall weight
		in (mm)	in (mm)	in (mm)	min. in (mm)	max. in (mm)	(pair of tines) lbs (kg)	lbs (kg)
MC135C MC155C	PF-42	38.75 (984)	45.75 (1194)	51.7 (1313)	9 (229)	45 (1143)	6000 (2722)	455 (206)
	PF-48	38.75 (984)	45.75 (1194)	57.7 (1466)	9 (229)	45 (1143)	6000 (2722)	480 (218)

Data according to Bucket Type		Width	Length	Height	Weight	Heaped cap
		in (mm)	in (mm)	in (mm)	lbs (kg)	cf³ (m³)
MC135C MC155C	Dirt Bucket	78 (1981)	32.8 (833)	20.5 (521)	540 (245)	16.5 (0,47)
	Dirt Bucket	84 (2133)	32.8 (833)	20.5 (521)	573 (260)	17.8 (0,5)
	Landscape Bucket	78 (1981)	38.8 (986)	20.5 (521)	582 (264)	17.2 (0,49)
	Landscape Bucket	84 (2133)	38.8 (986)	20.5 (521)	615 (276)	22.3 (0,63)
	Multi Purpose Bucket	78 (1981)	38 (965)	27.9 (709)	841 (381)	21.7 (0,64)
	Multi Purpose Bucket	84 (2133)	38 (965)	27.9 (709)	884 (401)	23.4 (0,66)

EQUIPMENT.

STANDARD EQUIPMENT

	MC110C	MC115C	MC125C	MC135C	MC155C
Engine					
4-cylinder, liquid-cooled, 16-valve, direct-injection diesel engines	•	•	•	•	•
Meet US EPA Tier III standards	•	•	•	•	•
Self-cleaning, dual-element, air cleaner	•	•	•	•	•
12-Volt heavy-duty starter	•	•	•	•	•
Alternator with internal regulator	•	•	•	•	•
Quick cycle engine preheat	•	•	•	•	•
Engine oil remote drain hose	•	•	•	•	•
High-capacity radiator	•	•	•	•	•
Top mounted, tilt-up hydraulic oil cooler	•	•	•	•	•
Grid heater (standard on cab)	•	•	•	•	•
Lift arm path					
Radial	•				
Vertical		•	•	•	•
Electrical					
Heavy-duty, maintenance-free battery	•	•	•	•	•
Engine start/stop key switch	•	•	•	•	•
Fuel gauge	•	•	•	•	•
Electronic hand throttle	•	•	•	•	•
Coolant temperature gauge	•	•	•	•	•
Hourmeter	•	•	•	•	•
2 front and 2 rear 50-Watt work lights	•	•	•	•	•
Master electrical shut-off switch	•	•	•	•	•
In-cab fuse panel accessible without tools	•	•	•	•	•
Warning lights					
Charge pressure low	•	•	•	•	•
Engine oil low	•	•	•	•	•
Voltage low	•	•	•	•	•
Air flow restricted	•	•	•	•	•
Seat belt warning with 2-speed engaged	•	•	•	•	•
Warning lights flash					
Hydraulic oil temperature high	•	•	•	•	•
Engine temperature high	•	•	•	•	•
Fuel low	•	•	•	•	•
Transmission					
2 servo-assisted variable displacement piston pumps mounted in tandem	•	•	•	•	•
2 fixed displacement high torque motors	•	•	•	•	•
Hydraulics					
Lift-arm mounted auxiliary hydraulics	•	•	•	•	•
ISO hand pilot controls	•	•	•	•	•
Creep speed	•	•	•	•	•
5 micron filter for charge pressure	•	•	•	•	•
10 micron filter for loader hydraulic return	•	•	•	•	•

	MC110C	MC115C	MC125C	MC135C	MC155C
Safety					
Hydraulic park brake	•	•	•	•	•
Tilting screen guard	•	•	•	•	•
Tilting cab	•	•	•	•	•
Emergency boom lower valve	•	•	•	•	•
Lift-arm support strut	•	•	•	•	•
Full audible and visual warning systems	•	•	•	•	•
Restraint activated safety system	•	•	•	•	•
Electric lift and tilt hydraulic lockouts	•	•	•	•	•
Back-up alarm	•	•	•	•	•
Cab					
Top window	•	•	•	•	•
Isolation mounted canopy	•	•	•	•	•
ROPS and FOPS	•	•	•	•	•
Mechanical suspension seat	•	•	•	•	•
Pod storage area	•	•	•	•	•
Cup holder	•	•	•	•	•
12-Volt power accessory outlet	•	•	•	•	•
Rear view mirror	•	•	•	•	•
Rear light	•	•	•	•	•
2" retractable seat belt	•	•	•	•	•
Operator seat bar	•	•	•	•	•
Other					
Lockable rear service door and engine cover	•	•	•	•	•
Lockable fuel cap	•	•	•	•	•
Mechanical attachment bracket	•	•	•	•	•
OPTIONAL EQUIPMENT					
	MC110C	MC115C	MC125C	MC135C	MC155C
Cab					
Fully glazed sealed and pressurized cab enclosure with side windows, heater/blower, washer/wiper and sliding left hand window	•	•	•	•	•
Fully glazed sealed and pressurized cab enclosure with side windows, heater/blower, air-conditioning, washer/wiper and sliding left hand window	•	•	•	•	•
Air suspension seat, heated, vinyl	•	•	•	•	•
Air suspension seat, heated, cloth	•	•	•	•	•
Adjustable console pods and seat bar	•	•	•	•	•
Lexan screen	•	•	•	•	•
3" retractable seat belt	•	•	•	•	•
Foot throttle	•	•	•	•	•
Radio	•	•	•	•	•
Fire extinguisher	•	•	•	•	•
4-point lift	•	•	•	•	•
Single point lift frame	•	•	•	•	•
Canopy full door with mesh	•	•	•	•	•

OPTIONAL EQUIPMENT

	MC110C	MC115C	MC125C	MC135C	MC155C
Controls					
ISO hand pilot 7-way controls	•	•	•	•	•
Engine					
Spark arrestor	•	•	•	•	•
Engine block heater 110V	•	•	•	•	•
Engine block heater 240V	•	•	•	•	•
Grid Heater (optional on canopy)	•	•	•	•	•
Hydraulics					
High flow auxiliary hydraulic	•	•	•	•	•
Hydraulic parallel lift (lift only)	•	•	•	•	•
Float	•	•	•	•	•
Hydraulic attachment bracket	•	•	•	•	•
BSS (boom suspension system)	•	•	•	•	•
Bio-degradeable oil	•	•	•	•	•
Centrally mounted auxiliary couplers	•	•	•	•	•
Electrical					
Rotating beacon light	•	•	•	•	•
Road light kit	•	•	•	•	•
Keyless start	•	•	•	•	•
Anti-theft keypad	•	•	•	•	•
Tires					
Standard duty lug tires	•	•	•	•	•
Heavy-duty lug tires	•	•	•	•	•
Heavy-duty wide flotation lug tires	•	•	•	•	•
Non-pneumatic solid tires	•	•	•	•	•
Non-pneumatic cushioned solid tires	•	•	•	•	•
Other					
Tooth guard	•	•	•	•	•
Front screen guard	•	•	•	•	•
Level 2 FOPS guard	•	•	•	•	•
Heavy duty rear door guard	•	•	•	•	•
Twine cutter	•	•	•	•	•
Hardide pivot pins (arm to coupler only)	•	•	•	•	•

SELECTION OF VOLVO OPTIONAL EQUIPMENT

Adjustable console pods



Boom suspension system



High flow auxiliary hydraulics



Heating/Air conditioning



Parallel lift



VOLVO CONSTRUCTION EQUIPMENT



Volvo Construction Equipment is different. Our machines are designed, built and supported in a different way. That difference comes from an engineering heritage of over 175 years. A heritage of thinking first about the people who actually use the machines. About how to help them be safer, more comfortable, more productive. About the environment we all share. The result of that thinking is a growing range of machines and a global support network dedicated to helping you do more. People around the world are proud to use Volvo. And we're proud of what makes Volvo different – More care. Built in.

Not all products are available in all markets. Under our policy of continuous improvement, we reserve the right to change specifications and design without prior notice. The illustrations do not necessarily show the standard version of the machine.

VOLVO

Volvo Construction Equipment
www.volvoce.com

Ref. No 20028135-A
2011.09
Volvo, Global Marketing

English -30
SSL