

Crawler Loaders

LR 624

Litronic®

LR 634

Litronic®

Engine Output (SAE J1349):	105 kW / 141 HP	129 kW / 173 HP
Operating Weight:	16,894 - 18,549 kg 37,245 - 40,893 lb	20,746 - 22,694 kg 45,737 - 50,032 lb
Bucket Capacity:	1.5 - 1.8 m ³ 1.96 - 2.35 yd ³	1.9 - 2.4 m ³ 2.49 - 3.14 yd ³



LIEBHERR

LR 624

Litronic®

Engine Output (SAE J1349): 105 kW / 141 HP
Operating Weight: 16,894 - 18,549 kg
37,245 - 40,893 lb
Bucket Capacity: 1.5 - 1.8 m³
1.96 - 2.35 yd³

LR 634

Litronic®

Engine Output (SAE J1349): 129 kW / 173 HP
Operating Weight: 20,746 - 22,694 kg
45,737 - 50,032 lb
Bucket Capacity: 1.9 - 2.4 m³
2.49 - 3.14 yd³



Performance

Generation 4 Liebherr crawler loaders provide exceptional handling performance even in difficult terrain. Fast work cycles, an optimum bucket capacity and outstanding machine handling under load give them optimum operating properties.

Economy

With their low fuel consumption and low service and maintenance requirement, the crawler loaders make a real contribution to your economic success: Increased economy from the reduction of costs per operating hour.

Reliability

Liebherr crawler loaders are designed for longevity. Parts that are subjected to considerable stress are produced from high-strength materials, while critical components are well protected. The result is maximum reliability and availability.

Comfort

The crawler loader's cab is a spacious workplace designed according to state-of-the-art ergonomic standards and offering the operator an excellent view of the operating equipment. The single-joystick control enables the machine to be controlled easily and precisely.





Liebherr engine technology

- Large displacement, exhaust turbocharger and charge-air intercooling for high power reserves and a steep engine-torque increase.
- Pump-line-nozzle high-pressure injection ensures good responsiveness.
- Ability to travel on slopes up to 45° due to a deep oil pan and a strong oil pump.



Powerful attachment hydraulics

- Special, solid Z-Kinematics design provides very high break-out forces.
- The Load Sensing System ensures unsurpassed ease of operation and precision control in all situations.
- A broad range of teeth and compact tooth systems offers maximum penetration forces in every application.

Performance

Generation 4 Liebherr crawler loaders provide exceptional handling performance even in difficult terrain. Fast work cycles, an optimum bucket capacity and outstanding machine handling under load give them optimum operating properties.

Excellent handling performance

Outstanding break-out forces

The excellent penetration characteristics of the bucket and the powerful Z-bar linkage ensure optimum loading performance.

Optimal bucket filling and high tipping load

The large tipping angle of the bucket and high stability ensure optimum filling capacity in every work cycle, especially when loading trucks.

Rapid work cycles

Rapid acceleration, short cycle times and semi-automatic operation result in a measurable productivity advantage.

Precision earthmoving

Optimal dozing properties

Excellent precision control of the load-sensing power hydraulics and the machine's smooth operation enable precise dozing work.

Good climbing ability

An extremely low center of gravity means that steep inclines and travel on slopes, for instance when constructing embankments, do not pose a problem.

Impressive maneuverability

Even under the most confined conditions, the machine can be steered and positioned with precision, including counter-rotation.

Excellent dozing performance

High performance without interruption

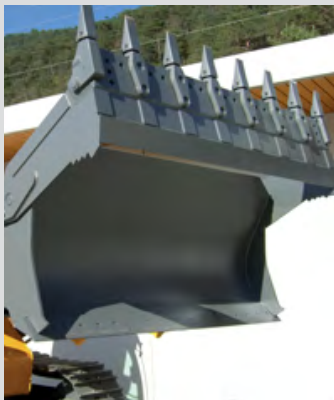
The high power reserves of the diesel engine and hydrostatic travel drive offer maximum power in every situation. This is important during dumping tasks, backfilling and earthmoving.

High traction

The combination of a long track frame and continuously variable speed control afford high drawbar pull transmission and pushing power.

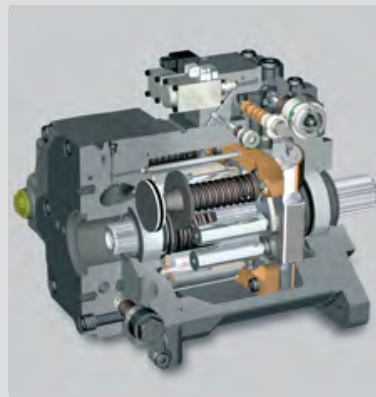
High bucket filling level

The high bucket filling level enables optimal topsoil removal and dozing of different material layers at all times.



A diversity of applications

- Numerous equipment options: 4in1 bucket, heavy-duty bucket, light materials bucket or standard bucket, quick-release system, towing hitch, winch, ripper, and more.
- Optional quick-release coupling: A wide range of attachments can be swapped easily and conveniently, making crawler loaders the ideal all-round machine.



Liebherr hydrostatic drive

- Hydraulic variable-displacement pumps and motors are connected independently in two closed circuits and efficiently transfer diesel engine power to both final drives.
- Steering behaviour is adapted to the travel speed. This ensures maximum machine productivity with a full bucket, even on turns.



Landfill arrangement



Tunneling arrangement



Performance

Liebherr crawler loaders are the supreme examples of multipurpose flexibility among construction machinery. They can not only be used on building sites, they can also demonstrate their power and versatility even in the harshest of special applications.

Special application arrangements

Landfill arrangement

Liebherr offers a fully equipped variant of crawler loaders for use on landfills. This enables them to be used not only for earthworking operations such as backfilling, levelling or topsoil stripping but also for dozing, compacting, loading or sorting refuse. The specific components have been developed specially for use on landfills and ensure a high life expectancy under the harshest of conditions.

Tunneling arrangement

Because of their robust equipment and excellent maneuverability, Liebherr crawler loaders are the ideal machines for use in the limited spaces common in tunnel construction. The powerful air conditioning unit ensures comfortable working conditions inside the machine. The Liebherr particle filter is available as an option.

Forestry arrangement

The Liebherr crawler loader with forestry arrangement offers maximum operating safety at applications like timber work, forest road construction or even forest fire prevention. The combination of the massive forest sweeps, the versatile multi-purpose bucket and the stepless hydrostatic drive ensures high efficiency and safety in harsh working environments.

LGP arrangement

For operations on unstable surfaces, Liebherr offers Low-Ground-Pressure-Versions of its crawler loader range. This enables the ground pressure to be kept as low as possible.

Custom options

Custom options can be configured upon request to create a machine that is perfectly adapted to its intended task.



Forestry arrangement



LGP arrangement





Environmentally friendly

- Low noise emissions: compliant with the ISO 6396 standard and the 2000/14/EC Directive.
- Low fuel and oil consumption helps to protect the environment and save resources.
- Alternative (e.g. biodegradable) oils can also be used if required.



Economy

With their low fuel consumption and low service and maintenance requirement, the crawler loaders make a real contribution to your economic success: Increased economy from the reduction of costs per operating hour.

Efficiency in series

Low fuel consumption

The load sensing working hydraulics, the highly efficient hydrostatic drive unit, and the constantly low nominal speed of the Liebherr diesel engine combine to guarantee low fuel consumption.

Long-lasting components

The generous specifications of the drive unit components are characterised by high performance capabilities and reserves as well as a long service life.

Easy, inexpensive maintenance

Longer maintenance intervals, centralized service points and maintenance-free solutions make servicing easier and lower machine running costs.

High track frame service lifetimes

The use of high quality track frame components with a large amount of wear material guarantees long service lifetimes.

Longer intervals between oil changes

With regular oil analyses, Liebherr hydraulic oils have a life expectancy of up to 6000 operating hours or 4 years. Quickly and easily biodegradable Liebherr hydraulic oils can even be used up to 8000 operating hours or 6 years. Accordingly, the expected lifetime of these oils is up to 4 times longer.

Rapid service

Operating data storage, diagnostics software, an on-board computer and a cab that can be tilted to 40° enable rapid troubleshooting and straightforward servicing work.

Leading profitability

A comparison of handling performance and operating costs reveals that Liebherr crawler loaders offer outstanding efficiency.



Rapid transport

- Quick and easy transport of the Liebherr crawler loaders is possible without removing the front and rear attachments.



Optimal ease of maintenance

- Direct access: hydraulic-action tilting cab and wide-opening service flaps via gas-filled springs.
- No-maintenance design: bucket pin and track frame components lubricated for life, automatic dust extraction.
- Easy daily maintenance: side fuel tank neck, centralized inspection and service points.



State-of-the-art cooling system

- The 4-way combination radiator cools the charge air, cooling water, fuel and hydraulic oil.
- The hydrostatic fan affords an excellent cooling performance and guarantees uninterrupted operation even under the most demanding of conditions.
- The wide-meshed radiator is largely self-cleaning and minimizes the risk of blockages.



Endurance-tested structure

- The fatigue resistance and the high torsional rigidity of all steel components were tested under maximum loads using test benches.
- The operator's cab is equipped with ROPS (Rollover Protective Structure) and FOPS (Falling Objects Protective Structure).
- The main frame and track roller frames are of box-type design and are lifetime-tested.

Reliability

Liebherr crawler loaders are designed for longevity. Parts that are subjected to considerable stress are produced from high-strength materials, while critical components are well protected. The result is maximum reliability and availability.

Liebherr quality

Everything under one roof

The machines are developed, tested and built at the Liebherr production plant in Telfs (Austria). This ensures the highest quality of the entire process and of all components from the manufacturer.

High Liebherr quality standards

Major assemblies such as the diesel engine, hydraulic cylinders, final drives and engine electronics come from state-of-the-art Liebherr competence centers and production plants in Germany and Switzerland.

Dependable partner

Liebherr furthermore maintains strong, well-established partnerships characterized by joint developmental work and rigorous quality controls.

Proven design

Robust construction machine engine

The low and constant rated speed of the extremely robust Liebherr diesel engine guarantees maximum operating dependability.

Demand-responsive cooling

The hydraulically driven fan controls cooling performance according to demand and independently of the diesel engine speed.

Protected electrics

High-quality cable protection and a well-designed cable layout ensure safe operation in hot, cold, highly vibratory and dusty conditions.

High functional safety

Automatic output control

Electronic engine speed sensing control enables the efficient conversion of the installed engine output into hydraulic efficiency.

Safety warning devices

The centrally positioned digital display provides the operator with reliable information on all operating data and any service work required.

Dynamic brake system

Self-locking of the hydrostatic travel drive acts as a non-wearing service brake and enables precise deceleration, even in extreme situations.



Key technologies from Liebherr

- Hydraulic cylinder: high-quality surface coating of the connecting rod, flanged head.
- Travel drive: innovative double floating ring seal with electronic seal monitoring.
- Diesel engine: robust construction machine engine with individual cylinder heads, deep oil sump, wet cylinder sleeves and Liebherr engine management electronics.



Cushioned track frame suspension

- The majority of impact loads are absorbed via the cushioned suspension of the track frames.
- Heavy duty elastomer bushings are used for the cushioned track frame suspension, and are straightforward to maintain.



Liebherr single-joystick control

- Intuitive and ergonomic controls enable logical and safe operation.
 - Continuous forward travel
 - Continuous reverse travel
 - Right turn and counter-rotation
 - Left turn and counter-rotation
 - Speed range selection
 - Horn
 - Continuously variable engine speed adjustment



Plenty of storage space

- Enough space for a cooler: the large wide-opening storage compartment is opened via a gas-filled spring.
- There is a 12 Volt socket in the storage compartment for a charger or a thermo-electric cooler.

Comfort

The crawler loader's cab is a spacious workplace designed according to state-of-the-art ergonomic standards and offering the operator an excellent view of the operating equipment. The single-joystick control enables the machine to be controlled easily and precisely.

Exemplary workplace

Spacious and quiet cab

Noise insulation measures ensure that the cab noise level is far below statutory requirements.

Powerful air conditioning

The standard air conditioning system and heating regulates the temperature of all cab zones optimally and individually via 12 air vents. Fresh air and air recirculation filters ensure clean air at all times for optimal work conditions.

High seat comfort

There is a choice of different air- or mechanically sprung operator's seats available. Numerous adjustment options enable customised settings.

Superior design

A state-of-the-art digital display in the operator's field of vision, wide armrests, sliding windows, storage compartments, space for a cooler, and a fully lined cab afford an extremely comfortable work environment.

Ergonomic operation

Liebherr single-joystick control

All travel movements, including "counter rotation", can be easily controlled with just one joystick. The machine can be fitted with "reverse-V"-pattern control and pedal steering on request.

Controls within easy reach

Frequently used switches for the engine speed, horn and the travel speed are located within easy reach or are integrated in the joystick itself.

Automatic functions

Magnetic holding functions for lifting movement limit deactivation and bucket positioning, and for the float position offer optimum operating convenience.

Optimal visibility

Optimal view of the bucket

The deep, high-domed windscreen provides an optimal view of the entire working area of the loading bucket.

Outstanding all-around visibility

Large-area tinted glazing and integrated ROPS/FOPS protection allow an unequalled panoramic view of the entire work area.



Digital instrument display

- As the interface for communication with the machine, the instrument display is optimally positioned in the operator's field of vision.
- LC display shows the travel speed, diesel engine speed and service codes
- Scroll button
- Analog display for operating hours, coolant temperature and fuel tank
- Control lights
- Warning lights



Outstanding operator's comfort

- Windshield wiper front and rear with intermittent setting.
- Coat hook, cupholder, interior lighting, sun visor.
- Air conditioning and heating with adjustable air vents.
- Ergonomically designed seat with optimal back and side support: angle-adjustable sprung fabric operator's seat can also be adjusted to suit the operator's height and weight.

Basic machine



Engine

	LR 624	LR 634
Liebherr Diesel engine	D934 S A6 emission regulations according to 97/68/EC, 2004/26/EC Stage IIIA and EPA/CARB Tier 3	D934 L A6
Net power (ISO 9249)	105 kW / 143 HP	129 kW / 175 HP
Net power (SAE J1349)	105 kW / 141 HP	129 kW / 173 HP
Engine rating	1,800 rpm	1,800 rpm
Displacement	6.4 l / 391 in ³	7.0 l / 427 in ³
Bore/stroke	122 mm / 136 mm (4.80 in / 5.35 in)	122 mm / 150 mm (4.80 in / 5.91 in)
Design	low emission 4 cylinders in-line Diesel engine with intern exhaust gas recirculation AGR, turbo-charger, air-to-air aftercooler, single cylinder head, wet cylinder sleeves, 4 valves per cylinder, gear driven water pump as well as fuel pump and oil pump	
Fuel system	Unit-Pump-System (UPS) direct high injection pressure fuel system, electronic engine management LH-ECU (Liebherr-Electronic Control Unit)	
Lubrication	pressurized lube system, engine lubrication guaranteed for inclination up to 45-degree	
Operating voltage	24 V	24 V
Alternator	80 A, Heavy-Duty	80 A, Heavy-Duty
Starter	5.4 kW	7.8 kW
Battery	2 x 135 Ah / 12 V	2 x 170 Ah / 12 V
Air cleaner	dry-type air cleaner with pre-cleaner and automatic dust ejector*, main and safety elements with radial seal	
Cooling system	combination cooler with single cooling units for water, hydraulic oil, fuel and intake charge air	
Cooling fan	hydrostatically driven, thermostatically controlled	

* only for LR 634



Travel drive, control

	LR 624	LR 634
Drive system	closed-loop infinitely variable hydrostatic travel drive powered by two axial piston variable displacement pumps and two axial piston variable displacement motors in swash-plate design, each track is driven independently from each other	
Travel speed	infinitely variable electronic-controlled Speed range 1: 0–6.5 km/h / 0–4.0 mph (work) Speed range 2: 0–10.0 km/h / 0–6.2 mph (travel)	
Litronic-System	electronic engine speed sensing control (load-sensing feature) automatically adjusts travel speed and drawbar pull to match changing load conditions	
Steering	hydrostatic, unlimited maneuverability for full power turns and counterrotation	
Service brake	hydrostatic, dynamic braking effect from travel drive system	
Parking/emergency brake	multi-disc brake, wear-free, automatically applied with neutral joystick position	
Cooling system	hydraulic oil single unit built in combination cooler	
Filter system	micro cartridge filters in charge pressure circuit	
Final drive	combination spur gear with planetary gear, double sealed (duo cone seals) with electronic seal-integrity indicator	
Control	single-lever travel control for all travel and steering motions, as well as for counterrotation	



Noise emission

	LR 624	LR 634
Operator sound exposure (ISO 6396)	L _{PA} = 78 dB(A) (emission at the operator's position)	L _{PA} = 78 dB(A)
Exterior sound pressure (2000/14/EC)	L _{WA} = 109 dB(A) (emission in the environment)	L _{WA} = 110 dB(A)



Track frame

	LR 624	LR 634
Chains	sealed and lubricated, track chain tension via grease tensioner and steel spring	
Chain links	39 each side	38 each side
Sprocket segments	5 each side	5 each side
Track rollers	6 each side	6 each side
Carrier roller	1 each side	1 each side
Track shoes standard	508 mm / 20", double grouser	508 mm / 20", double grouser
Track shoes optional	560 mm / 22", double grouser	560 mm / 22", double grouser 610 mm / 24", double grouser
	Wider track shoes available on demand	
Grouser height	35 mm / 1.38 in	42.5 mm / 1.67 in
Mount	pivot shafts and equalizer bar (cushion mounted)	



Hydraulic equipment

	LR 624	LR 634
Hydraulic system	Load-sensing proportional pump flow control	
Pump type	variable displacement pump (swash-plate design)	
Pump flow max.	162 l/min / 42.7 gpm	209 l/min / 55.2 gpm
Pressure limitation	260 bar / 3,770 PSI	260 bar / 3,770 PSI
Filter system	return filter with magnetic rod in hydraulic tank	
Control	single-lever implement control for all bucket functions, with magnetic detent functions for float position as well as for automatic bucket positioner and for automatic lift kickout	



Operator's cab

	LR 624	LR 634
Heater and air conditioner	pressurized, with fresh air intake and recirculation air filter, 12 louvered vents for all temperature controlled cab's areas, sliding side windows left and right	
ROPS/FOPS cab	integral Rollover Protective Structure according to EN ISO 3471 and Falling Objects Protective Structure according to EN ISO 3449	
Operator's seat	adjustable, suspended seat adjustable to operator's weight	
Monitoring system	combination of analog and digital instrument panel: LC-Display with scroll key for engine rpm, travel speed and service codes; automatic monitoring from operating pressures, temperatures and fill levels; hour meter gauge	
Tilting system	tiltable 40° to the rear with hydraulic hand pump	

Basic machine



Loader cycle times

	LR 624	LR 634
Lifting	6.3 s	6.4 s
Bucket dumping	1.3 s	2.2 s
Lowering ¹	2.7 s	2.8 s
Total cycle time ²	8.5 s	8.1 s

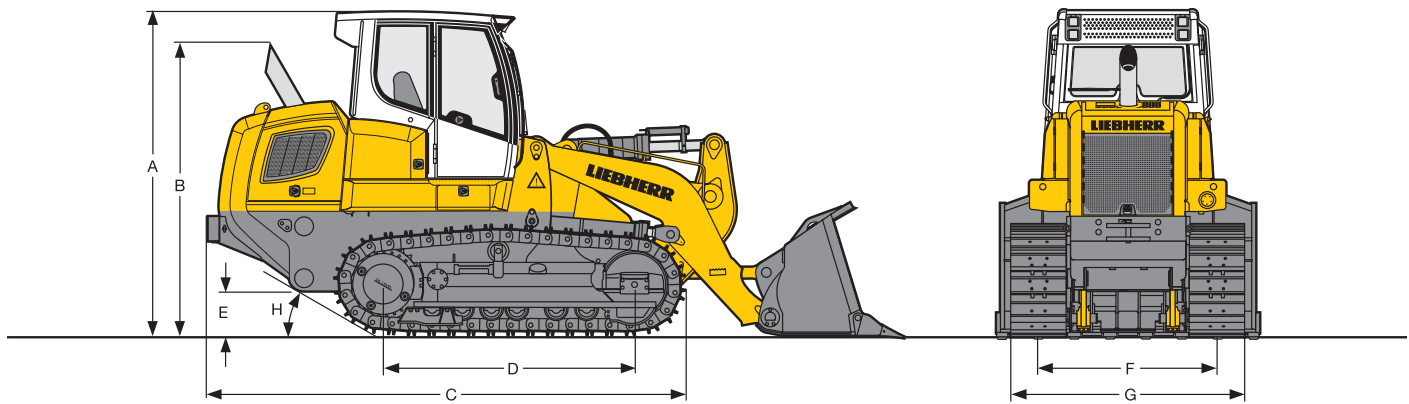
¹ Float position and empty bucket, ² lifting and dumping together



Refill capacities

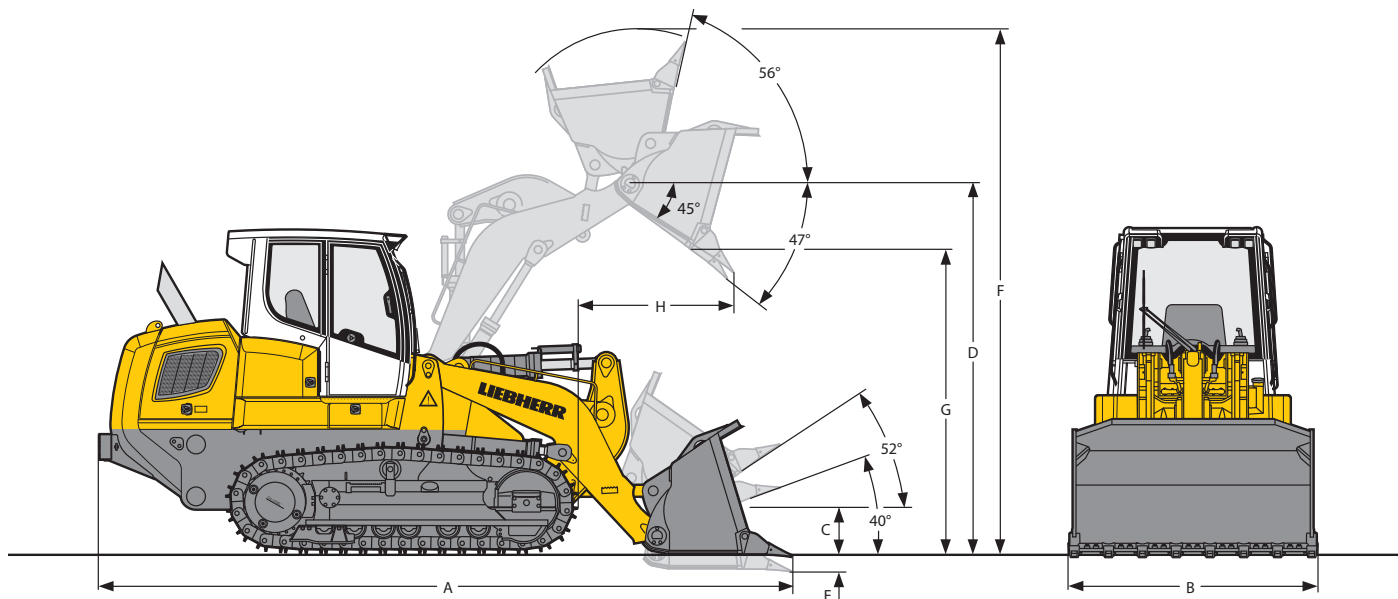
	LR 624	LR 634
Fuel tank	279 l / 73.7 gal	328 l / 86.6 gal
Cooling system	36 l / 9.5 gal	36 l / 9.5 gal
Engine oil (with filter)	30 l / 7.9 gal	30 l / 7.9 gal
Splitter box	2.5 l / 0.7 gal	3.1 l / 0.8 gal
Hydraulic tank	76 l / 20.1 gal	83 l / 21.9 gal
Pivot shaft, each	5 l / 1.3 gal	5 l / 1.3 gal
Final drive, each	15 l / 4 gal	20 l / 5.3 gal
Duo cone seal, each	3.5 l / 0.9 gal	3.3 l / 0.9 gal

Dimensions



Dimensions		LR 624	LR 634
A Height over cab	mm	3,150	3,310
	ft-in	10'4"	10'10"
B Height over exhaust pipe	mm	2,806	2,952
	ft-in	9'2"	9'8"
C Length to front of track	mm	4,600	4,903
	ft-in	15'1"	16'1"
D Distance idler/sprocket centre	mm	2,483	2,564
	ft-in	8'2"	8'5"
E Ground clearance	mm	430	464
	in	17"	18.3"
F Track gauge	mm	1,740	1,800
	ft-in	5'9"	5'11"
G Machine width, with track shoes 508 mm / 20"	mm	2,248	2,308
	ft-in	7'5"	7'7"
	mm	2,300	2,360
	ft-in	7'7"	7'9"
Machine width, with track shoes 560 mm / 22"	mm	–	2,410
	ft-in	–	7'11"
H Approach angle		30°	30°

Front attachment



Standard bucket

Version with

LR 624

flush mounted
weld-on
adapters
and teeth

bolt-on
cutting edge

LR 634

bolt-on
adapters,
segments
and teeth

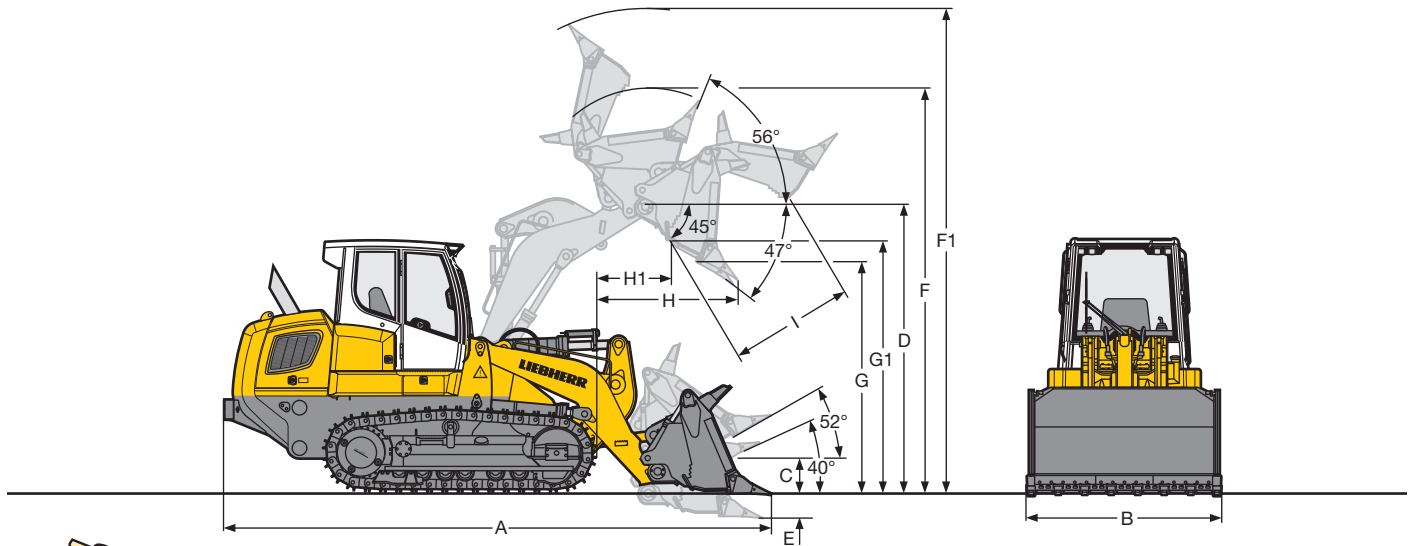
flush mounted
weld-on
adapters
and teeth

bolt-on
cutting edge

		bolt-on adapters, segments and teeth	flush mounted weld-on adapters and teeth	bolt-on cutting edge	bolt-on adapters, segments and teeth	flush mounted weld-on adapters and teeth	bolt-on cutting edge
Nominal rated bucket capacity according to ISO 7546	m ³ yd ³	1.8 2.35	1.7 2.22	1.8 2.35	2.4 3.14	2.3 3.01	2.4 3.14
Nominal rated bucket capacity according to SAE J732	m ³ yd ³	1.8 2.35	1.7 2.22	1.8 2.35	2.5 3.27	2.3 3.01	2.5 3.27
Breakout force according to SAE J732	kN lb	127 28,541	138 31,013	127 28,541	164 36,856	180 40,451	164 36,856
Static tipping load according to ISO 8313	kg lb	11,765 25,937	12,011 26,480	11,863 26,153	14,148 31,191	14,514 31,998	14,268 31,456
A Overall length bucket at ground with rear bumper	mm ft-in	6,337 20'9"	6,246 20'6"	6,337 20'9"	7,115 23'4"	7,021 23'0"	7,115 23'4"
B Bucket width, overall	mm ft-in	2,444 8'0"	2,450 8'0"	2,420 7'11"	2,529 8'4"	2,500 8'2"	2,490 8'2"
C Height of hinge pin, transport position	mm in	541 21"	541 21"	541 21"	582 23"	582 23"	582 23"
D Height of hinge pin, max.	mm ft-in	3,663 12'0"	3,663 12'0"	3,663 12'0"	4,059 13'4"	4,059 13'4"	4,059 13'4"
E Digging depth, max.	mm in	136 5.4"	111 4.4"	136 5.4"	144 5.7"	114 4.5"	144 5.7"
F Overall height with bucket at full lift	mm ft-in	5,007 16'5"	5,007 16'5"	5,007 16'5"	5,511 18'1"	5,511 18'1"	5,511 18'1"
G Dump clearance at full lift and 45° discharge according to ISO 7131	mm ft-in	2,849 9'4"	2,917 9'7"	2,849 9'4"	3,064 10'1"	3,154 10'4"	3,064 10'1"
H Reach at full lift and 45° discharge according to ISO 7131	mm ft-in	1,051 3'5"	1,018 3'4"	1,051 3'5"	1,207 4'	1,160 3'10"	1,207 4'
Bucket weight	kg lb	1,238 2,729	1,126 2,482	1,140 2,513	1,707 3,763	1,539 3,393	1,587 3,499
Operating weight ¹	kg lb	17,006 37,492	16,849 37,146	16,908 37,276	20,914 46,107	20,746 45,737	20,794 45,843
Ground pressure ¹	kg/cm ² PSI	0.67 9.53	0.67 9.53	0.67 9.53	0.73 10.38	0.72 10.24	0.72 10.24

¹ Machine with ROPS/FOPS cab, coolant and lubricants, full fuel tank, operator 165 lb (75 kg), bucket, rear bumper and track shoes 508 mm / 20" (LR 624) and 560 mm / 22" (LR 634)

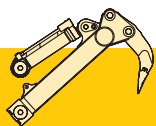
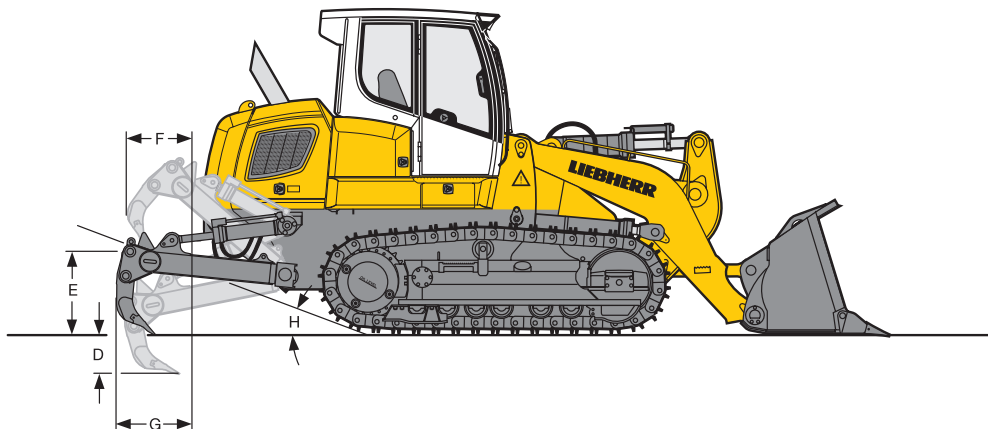
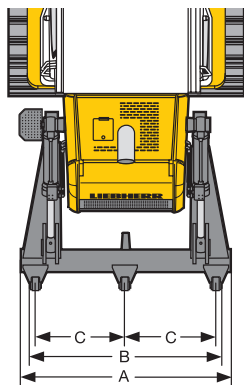
Front attachment



Version with	Multi-purpose bucket			LR 624			LR 634		
		bolt-on adapters, segments and teeth	flush mounted weld-on adapters and teeth	bolt-on cutting edge	bolt-on adapters, segments and teeth	flush mounted weld-on adapters and teeth	bolt-on cutting edge		
Nominal rated bucket capacity according to ISO 7546	m ³	1.6	1.5	1.6	2.0	1.9	2.0		
	yd ³	2.09	1.96	2.09	2.62	2.49	2.62		
Nominal rated bucket capacity according to SAE J732	m ³	1.6	1.5	1.6	2.1	1.9	2.1		
	yd ³	2.09	1.96	2.09	2.75	2.49	2.75		
Breakout force according to SAE J732	kN	113	123	113	155	169	155		
	lb	25,394	27,642	25,394	34,833	37,979	34,833		
Static tipping load according to ISO 8313	kg	10,376	10,610	10,473	12,839	13,191	12,959		
	lb	22,875	23,391	23,089	28,305	29,081	28,570		
A Overall length bucket at ground with rear bumper	mm	6,474	6,384	6,474	7,078	6,961	7,078		
	ft-in	21'3"	20'11"	21'3"	23'3"	22'10"	23'3"		
B Bucket width, overall	mm	2,448	2,450	2,420	2,529	2,500	2,490		
	ft-in	8'0"	8'0"	7'11"	8'4"	8'2"	8'2"		
C Height of hinge pin, transport position	mm	541	541	541	582	582	582		
	in	21"	21"	21"	23"	23"	23"		
D Height of hinge pin, max.	mm	3,663	3,663	3,663	4,059	4,059	4,059		
	ft-in	12'0"	12'0"	12'0"	13'4"	13'4"	13'4"		
E Digging depth, max.	mm	186	161	186	214	184	214		
	in	7.3"	6.3"	7.3"	8.4"	7.2"	8.4"		
F Overall height with bucket at full lift (bucket closed)	mm	5,015	5,015	5,015	5,465	5,465	5,465		
	ft-in	16'5"	16'5"	16'5"	17'11"	17'11"	17'11"		
F1 Overall height with bucket at full lift (bucket open)	mm	5,591	5,523	5,591	6,168	6,078	6,168		
	ft-in	18'4"	18'1"	18'4"	20'3"	19'11"	20'3"		
G Dump clearance at full lift and 45° discharge (bucket) according to ISO 7131	mm	2,743	2,811	2,743	2,971	3,061	2,971		
	ft-in	9'0"	9'3"	9'0"	9'9"	10'1"	9'9"		
G1 Dump clearance at full lift and 45° discharge (blade) according to ISO 7131	mm	3,253	3,253	3,253	3,583	3,583	3,583		
	ft-in	10'8"	10'8"	10'8"	11'9"	11'9"	11'9"		
H Reach at full lift and 45° discharge (bucket) according to ISO 7131	mm	1,086	1,053	1,086	1,201	1,154	1,201		
	ft-in	3'7"	3'5"	3'7"	3'11"	3'9"	3'11"		
H1 Reach at full lift and 45° discharge (blade) according to ISO 7131	mm	625	625	625	661	661	661		
	ft-in	2'1"	2'1"	2'1"	2'2"	2'2"	2'2"		
I Width of opening	mm	1,201	1,201	1,201	1,290	1,290	1,290		
	ft-in	3'11"	3'11"	3'11"	4'3"	4'3"	4'3"		
Bucket weight	kg	1,782	1,671	1,685	2,247	2,080	2,127		
	lb	3,929	3,684	3,715	4,954	4,586	4,689		
Operating weight ¹	kg	17,614	17,502	17,517	21,531	21,363	21,411		
	lb	38,832	38,585	38,618	47,468	47,097	47,203		
Ground pressure ¹	kg/cm ²	0.70	0.69	0.69	0.75	0.74	0.75		
	PSI	9.95	9.81	9.81	10.67	10.52	10.67		

¹ Machine with ROPS/FOPS cab, coolant and lubricants, full fuel tank, operator 165 lb (75 kg), bucket, rear bumper and track shoes 508 mm / 20" (LR 624) and 560 mm / 22" (LR 634)

Rear attachment



3-shank ripper radial

LR 624

LR 634

		LR 624	LR 634
A	Beam width	2,096 6'11"	2,100 6'11"
B	Ripping width	1,800 5'11"	1,860 6'1"
C	Distance between teeth	870 2'10"	900 2'11"
D	Penetration, max.	348 13.7"	384 15.1"
E	Ground clearance, max. below teeth	715 2'4"	820 2'8"
F	Additional length, ripper raised	638 2'1"	740 2'5"
G	Additional length, transport position	769 2'6"	851 2'10"
H	Approach angle, ripper raised	20°	20°
Ripper weight ¹	kg	919	1,163
	lb	2,026	2,564
Change in operating weight	kg	876	705
	lb	1,931	1,554
Change in ground pressure	kg/cm ²	0.03	0.02
	PSI	0.43	0.28
Change in static tipping load	kg	1,480	924
	lb	3,263	2,037

¹ If the ripper is mounted, no rear bumper will be fitted to the machine (rear bumper weight LR 624 95 kg / 209 lb, LR 634 500 kg / 1,102 lb)

Equipment



Basic machine

Towing system (air pressure cartridge)	•
Intake air pre-cleaner with automatic dust ejector (1)	•
Liebherr Diesel engine D934	•
Cab tilting system	•
Combination cooler, wide-meshed (for water, hydraulic oil, fuel, and charge air)	•
Radiator protection grille, hinged	+
LH-ECU electronic engine management	•
LiDAT Plus - Data transmission system	•
Hydrostatic fan, thermostatic. controlled	•
Fan guard	•
Engine access doors, hinged, lockable	•
Lifting lugs	•
UPS high injection pressure fuel system	•
Dry type air filter (quick change)	•
Fuel priming pump	•
Fuel water separator	•
Vandalism protection (fuel tank cap and service doors lockable)	•
Tool kit (with towing kit)	•
Towing hitch, rear	•
Towing hitch, front	•
Tank guard	+
Diesel particles filter	+
Exhaust manifold isolated	+
Radiator guard Heavy Duty, pivoting	•
Bio degradable Liebherr hydraulic oil	+
Air pre-cleaner engine	+
Landfill equipment	+
Reversible fan	+
Back up alarm	•
Filler guard	+
Special paint	+
Steel mill equipment	+
Fuel water separator, electric heater	+
Tunnel equipment	+
Central lubrication system	+



Travel drive

Duo cone seals with electronic seal-integrity control	•
Electronic control	•
Parking brake, automatic applied	•
Liebherr hydrostatic travel drive	•
Litronic control system	•
Spur gear and planetary gear	•
Final drive protection ring	+



Control and warning lights

Air inlet heater Diesel engine	•
Diesel engine malfunction	•
Electronic travel control system	•
Parking brake	•
Preselection automatic lift kickout	•
Hydraulic oil temperature	•
Battery charging control	•
Fan control	•
Oil level duo cone seals, left and right	•
Pump replenishing pressure	•
Preselection automatic bucket positioner	•
Preselection float position	•
Maintenance oil return filter	•
Maintenance fuel water separator	•
Maintenance air filter	•
Main warning light	•



Operator's cab

Storage space under armrest, lockable	•
Towing switch	•
Armrests, adjustable	•
Speed switch, work/travel modes	•
Pressurization with air recirculation	•
Louvered vents, adjustable, x12	•
Single-lever implement control with integrated magnetic detent functions	•
Single-lever travel control (travel speed, all direction and steering motions)	•
Mechanical suspension seat	•
Fresh air intake and recirculation air filter	•
Beverage holder	•
Working lights (halogen), rear, x2	•
Working lights (halogen), front, x4	•
Horn	•
Dome light	•
Coat hook	•
Air conditioner	•
Engine rpm switch, infinitely variable	•
Emergency stop	•
ROPS/FOPS structures	•
Rearview mirror inside	•
Windshield washer system	•
Windshield wipers front and rear, with intermittent function	•
Sliding side window left	•
Sliding side window right	•
Key start switch	•
Seat belt, automatic retractable	•
Park lock lever	•
Safety glass, tinted	•
Pull-down sunshade	•
Power port 12 V (storage space)	•
Heater and defroster	•
Braking pedal for single-lever control	+
Air suspension seat	+
Fire extinguisher	•
Additional working lights, rear, x2	+
Condenser unit pivoted	+
Cooler box for storage space (12V)	+
Radio	+
Radio installation provision	•
Seatback extension	+
Reversing camera system	+
Rearview mirrors, outside, left and right	+
Protective grid for window	+
V-pattern travel control (travel speed, direction motions) with steering pedals	+



Electrical system

Starter motor	•
LR 624 5.4 kW, LR 634 7.8 kW	•
Battery main switch	•
Batteries maintenance free, x2	•
LR 624 135 Ah, LR 634 170 Ah	•
Alternator 80 A Heavy Duty	•
Power port 24 V (electric compartment)	•
Rotating beacon	+
Anti-theft system, electronic	+

• = Standard, + = Option
(1) only for LR 634, (2) only for LR 624

Options and/or special attachments, supplied by vendors other than Liebherr, are only to be installed with knowledge and approval of Liebherr to retain warranty.

Subject to changes.



Displays

Hour meter	•
Engine coolant temperature	•
Digital LC-display with scroll key (Diesel engine rpm, travel speeds, service codes and towing mode)	•
Fuel level	•
Hydraulic oil temperature	•



Attachments

Rear bumper	•
Lower bucket pins, lifetime lubricated	•
Z-bar linkage	•
Rear drawbar hitch, rigid	+
Bolt-on adapters	+
Weld-on adapters, flush mounted	+
Trash guard multi-purpose bucket	+
Trash guard for standard bucket	+
Winch	+
HD-bucket	+
3-shank ripper, radial	+
Multi-purpose bucket	+
Waste handling bucket	+
Standard bucket with back drag edge	+
Lifting cylinder guards	+
Tilt cylinder guards	+
Clamping cylinder guards, multi-purpose bucket	+
Bolt-on cutting edges, reversible	+
Bolt-on cutting segments, reversible	+



Hydraulic equipment

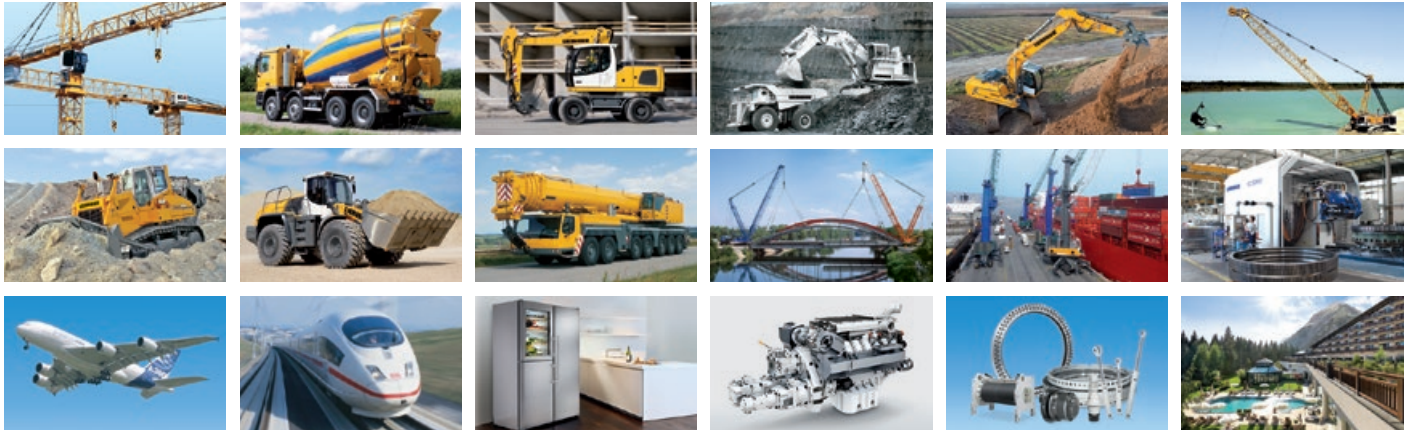
Load Sensing System	•
Automatic lift kickout	•
Automatic bucket positioner	•
Bucket quick drop	•
Bucket float position	•
Hydraulic control multi-purpose bucket	+
Hydraulic control 3-shank ripper	+



Track frame

Track shoes, double grouser, 20"	•
Master link, two-piece	•
Lubricated chains	•
Track guides, front and rear	•
Track chains grease tensioner	•
Track rollers, lifetime lubricated, x6	•
Track idler guards	•
Track idlers, lifetime lubricated	•
Equalizer bar, cushion mounted	•
Carrier rollers, lifetime lubricated, x1	•
Sprocket guards	•
Sprocket segments, bolted, x5	•
Rear striker bar	+
Track shoes, double grouser, 20" with trapezoidal center holes	+
Track shoes, double grouser, 22"	+
Track shoes, double grouser, 22" with trapezoidal center holes	+
Track shoes, double grouser, 24" (1)	+
Track guards	+
Center track guides	+
Version LGP	+
Sprocket segments with recesses	+

The Liebherr Group of Companies



Wide Product Range

The Liebherr Group is one of the largest construction equipment manufacturers in the world. Liebherr's high-value products and services enjoy a high reputation in many other fields. The wide range includes domestic appliances, aerospace and transportation systems, machine tools and maritime cranes.

Exceptional Customer Benefit

Every product line provides a complete range of models in many different versions. With both their technical excellence and acknowledged quality, Liebherr products offer a maximum of customer benefits in practical application.

State-of-the-art Technology

To provide consistent, top quality products, Liebherr attaches great importance to each product area, its components and core technologies. Important modules and components are developed and manufactured in-house, for instance the entire drive and control technology for construction equipment and mining trucks.

Worldwide and Independent

Hans Liebherr founded the Liebherr family company in 1949. Since that time, the enterprise has steadily grown to a group of more than 130 companies with over 38,000 employees located on all continents. The corporate headquarters of the Group is Liebherr-International AG in Bulle, Switzerland. The Liebherr family is the sole owner of the company.

www.liebherr.us