

# 924G

Wheel Loader

Standard and High Lift  
Arrangements



## Engine

Model	Caterpillar® 3056E DIT ATAAC	
Rated Net Power	96 kW	129 hp
Maximum Net Power	102 kW	137 hp

## Buckets

Bucket Capacities	1.7 m <sup>3</sup> - 2.8 m <sup>3</sup>	2.2 yd <sup>3</sup> - 3.6 yd <sup>3</sup>
-------------------	---	---

## Weights

Maximum Weight	11 340 kg	24,990 lb
----------------	-----------	-----------

# 924G Wheel Loader

*Offering world class performance, value and reliability.*

---

## Caterpillar® Power Train

- ✓ The 924G uses a Caterpillar power train for reliable, long life. The Caterpillar 3056E DIT ATAAC six-cylinder engine with Cat power shift transmission are performance-matched to the torque converter and axles for smoother performance and greater operator comfort. **pg. 4**

---

## Operator Station

- ✓ The 924G operator station is ergonomically designed to create a comfortable work area. Easy-to-use machine controls and a new gauge console reduce operator fatigue and increase efficiency and productivity. **pg. 6**

---

## VersaLink™ Loader Linkage

Loader linkage gives the 924G unsurpassed visibility, versatility and stability. The single piece boom-style lift arm design offers exceptional strength, rigidity and visibility. A high lift version is available for high-dump or long reach requirements. **pg. 8**

---

## Owning & Operating Costs

Extended service intervals, an advanced electronic warning system, lower fuel consumption and faster cycle times save you time and money. **pg. 12**

---

## Environmentally Responsible Design

- ✓ Quiet operation, low engine emissions, less fluid disposal and clean, easy servicing help you meet worldwide regulations and protect the environment. **pg. 13**

---

## Complete Customer Support

Caterpillar dealers offer unmatched customer support, with excellent warranty programs and fast parts availability, resulting in maximum uptime and minimum repair costs. **pg. 14**

*The 924G is one of the most versatile wheel loaders in the world. Size, power, performance and interchangeability of work tools make this machine ideal for a wide range of jobs.*



---

### Work Tools

A wide range of Caterpillar Work Tools are available to meet the needs of your jobsite applications. The machine's quick coupler system allows the operator to quickly change from one high performance work tool to another without leaving the cab. **pg. 9**

---

### Hydraulic System

Modular hydraulic system offers fast loading cycles, easy reconfiguration and exceptional ride control. **pg. 10**

---

### Serviceability

Perform daily maintenance with easy ground-level access to all major service points. Gull-wing doors provide excellent engine access and a swing-out fan simplifies radiator service. **pg. 11**



✓ *New Feature*

## Caterpillar Power Train

*Rugged, dependable Cat components deliver maximum rimpull to the ground and full power to the loader hydraulics.*



**Caterpillar Engine.** The six-cylinder 3056E Direct Injection Turbocharged (DIT) engine with Air-to-Air After Cooler (ATAAC) has a proven reputation for reliability, durability and performance. Fuel injection is electronically controlled for precise timing.

**Torque Rise.** The engine features a 48% torque rise for increased power during heavy-duty use.

**Emission Standards.** The 3056E DIT ATAAC engine meets worldwide emissions standards.

**Cylinders.** Low cylinder pressure rise and low peak pressure provide outstanding reliability and durability.

**Cooling System.** Engine and cooling system are in separate compartments for clean, quiet operation and easy service.

**Air-to-Air After Cooling.** Air-to-air after cooling reduces engine emissions.

**Electronic Control Module.** The Caterpillar engine control module not only controls the timing needs of the engine but also monitors critical systems to maintain optimum performance and provide engine protection.

**Service Intervals.** The recommended engine oil change requirement is every 500 hours of operation.

**Axles.** Heavy-duty design features strong gears and bearings for durable performance. Oscillating rear axle helps assure four-wheel ground contact for optimum traction and stability.

**Brakes.** Oil-disc brakes are adjustment-free and fully enclosed.

**Optional Heavy-Duty Brakes.** Optional heavy-duty brakes provide additional brake discs and axle oil cooler for severe applications.

**Duo-Cone® Seals.** Duo-Cone Seals keep oil in and contaminants out.

**Limited Slip Differentials.** Optional front and rear Limited Slip Differentials provide improved traction in poor or uneven underfoot conditions.

**Transmission.** Rugged, field-proven Caterpillar 4F/3R transmission uses heavy-duty components for durable and reliable operation. High-energy friction materials allow for better heat tolerance while thick reaction plates allow for better heat dissipation. The transmission is also designed for easy service and rebuild.

**Electronic Clutch Pressure Control.** The Electronic Clutch Pressure Control (ECPC) manages shift torque providing exceptional smoothness.

**Gears.** High-contact ratio spur gears are precision ground and heat treated for quiet, durable operation.

**Shifting Options.** Operator can choose manual shift or two autoshift modes (full throttle or variable shift control). Full throttle selection provides maximum acceleration while variable selection increases fuel economy and improves operator comfort.

## Operator Station

*Ergonomic design emphasizes comfort, visibility and easy operation.*



**Cab.** The ergonomic cab provides a comfortable work environment with large windows, spacious interior room, generous storage areas and low interior sound levels.

**Access/Egress.** Access/egress is through a two-door design. Both doors open fully and lock flush against the cab. Steps leading up to the cab are wide and angled out for secure footing.

**Windows.** Large windows improve visibility in all directions. The rear window features a standard electric defroster. Sliding glass is available as an option on the doors.

**Visibility.** Visibility to critical areas such as the bucket have been optimized. The VersaLink™ loader linkage geometry maximizes visibility throughout the entire production cycle.



### **Optional Rear View Camera System.**

Work area visual enhancement system utilizes a closed circuit video monitoring system. One, two or three cameras can be mounted on the machine frame. Objects can be viewed in a 7 inch color LCD monitor located in place of the right cab rear view mirror. Rear view system is compatible with heavy duty radiator guarding and waste handling packages.



**Instrument Panel.** Redesigned instrument panel is conveniently located with easy-to-read gauges and expanded warning/indicator and diagnostic functions.

**Electronic Engine Speed Control.**

A specific engine RPM can be set and maintained with a switch in the cab.

**Steering System.** The load-sensing, closed-center steering system with flow amplification matches steering response to a wide variety of applications. The adjustable steering console lifts easily out of the way. Dual suspended brake pedals function as a brake and a transmission neutralizer so the operator can maintain high engine RPM for full hydraulic flow and fast cycle times.

**Standard Operator Programmable Transmission Neutralizer.**

Operator can select any brake pressure setting depending on the application to neutralize the transmission or select off for no neutralization. In less than 15 seconds, this system enables any operator to set up the machine exactly the way that best fits the application, greater pressure for applications up ramps and hills, lighter pressure for flat work areas like truck loading or material handling for underground utility sites.



**Low Effort Operation.** Hydraulic joystick controls provide ease of lift and tilt functions. A single joystick is standard. An integrated directional control switch on the joystick provides easy operation and enhanced productivity. A two lever control is optional.

**Seat.** The standard seat is available in cloth or vinyl with fully adjustable fore/aft position, seatback angle, bottom cushion height, armrest angle and suspension stiffness. Other seat options include:

- Cat Contour Seat, fabric, with adjustable backrest and lumbar support.

- Cat Contour Seat, fabric, electrically adjustable with air suspension.

**Seat Belt.** All seats include a comfortable 75 mm (3 inch) wide retractable seat belt.

**Storage.** Generous storage space includes a lockable compartment, coat hook and special molded compartments designed to hold a lunchbox/cooler, cup or can. A tool box is also provided.

**Customize the Cab.** The cab can be customized with:

- 12V converter for powering electronics such as cellular phones, two-way radios and music systems
- Radio installation package
- Sun visor for windshield
- Roll-down sun screen for rear window
- External mirror package
- Auxiliary lighting packages

## VersaLink™ Loader Linkage

*Linkage design offers unparalleled versatility without compromise to performance.*



**Linkage Design.** Versatility is the key benefit of the VersaLink loader linkage. The 924G can be configured in many ways:

- with a Quick Coupler, work tool changes are quick and easy. In this configuration, the 924G offers the versatility of an integrated toolcarrier and the performance of a wheel loader;

- equipped with pin-on tools, like a bucket, the 924G becomes a dedicated wheel loader, with exceptional breakout force, tipping load and dump height;
- equipped with the High Lift VersaLink loader linkage option, the 924G is ideal for special applications that require more reach and lift height.

**Reconfiguration.** The VersaLink loader linkage can be reconfigured from pin-on to Quick Coupler or from standard linkage to high lift linkage with a minimum of new parts required.

**Outstanding Performance.** The VersaLink loader linkage is designed for exceptional loader performance in a wide range of applications, offering:

- increased breakout force to shorten cycle times and increase bucket fill factors;
- higher dump clearance for working in “high target” situations that ordinary loaders cannot;
- more dig depth for better excavation performance, even when equipped with larger 20.5 x 25 tires;
- greater rackback angle for improved material retention, resulting in higher productivity;
- greater dozing angle for improved control of material when fine grading.

**Visibility.** The VersaLink loader linkage geometry maximizes visibility throughout the entire production cycle.

**Parallel Lift.** Parallel lift simplifies working with palletized or stacked material. Operators can concentrate on material placement while the load automatically remains parallel throughout the lift range. And, like an integrated toolcarrier, the 924G can easily manipulate loads.



## Work Tools

*Increase your productivity by performing a variety of jobs with one machine.*

**Versatility.** With a variety of work tools offered by Caterpillar, the 924G is ideal for a wide range of applications.

**Quick Coupler.** Work tools can be changed quickly and easily with the machine's integral quick coupler system. A switch in the operator compartment activates a hydraulic cylinder for positive tool engagement or disengagement.

**Buckets.** With exceptional rimpull and high breakout and lift forces, the 924G demonstrates strong performance as a bucket loading machine. A wide range of Caterpillar buckets are available including:

- general purpose
- penetration
- light material
- multi purpose
- side dump
- high dump
- material handling

**Material Handling.** Exceptional visibility and heavy-lift capabilities enable you to work quickly and efficiently with the 924G as a material handler. A wide range of tools are available such as:

- pallet forks
- lumber and log forks
- material handling arm
- tire loaders
- specialty clamps

**Special Applications.** Some of the numerous specialty tools available include:

- dozer blades
- snow plows
- hydraulic brooms
- asphalt cutter
- loader rakes



**Auxiliary Hydraulics.** Optional 3rd and 4th function hydraulics are available for use with work tools that require hydraulic power, such as rotary brooms, augers, high dump and side dump buckets.



**Optional Joystick with Integrated Third Function Controls.** Low effort pilot hydraulics operated lift and tilt functions are combined with electrohydraulic transmission forward-neutral-reverse, transmission kick down and integrated third function auxiliary hydraulic controls. Enables operator to maintain

control of loader linkage while manipulating hydromechanical tools such as top clamp buckets and forks, side dump buckets and hydraulic brooms. Two modes of operation include:

- Standard Work Tool Mode – Provides intermittent flow to the work tool. Rolling the roller switch upward pressurizes the left side of the auxiliary system, downward activation of the roller switch pressurizes the right side. This system is ideal for top clamps or side dump buckets.
- Continuous Flow Mode – Gradually increases auxiliary hydraulic flow to the work tool when the roller switch is held upward. A momentary downward activation of the roller switch stops the flow.

Adjust the flow rate with a control knob enabling broom speed to be matched to vehicle ground speed or maximum top clamp activation speed.

## Hydraulic System

*Modular system provides improved efficiency and greater control.*



**Precise Control.** Designed by Caterpillar, the modular hydraulic system provides low effort operation and superior control.

**Performance.** Fast loader cycle times result in greater productivity. The hydraulic system is matched to the power train for outstanding performance.

### **Load-Sensing Implement Hydraulics.**

Load-sensing implement hydraulics provide exceptional second gear hydraulic-to-rimpull match for better material handling.

**Joystick Control.** Low effort, joystick implement control improves efficiency with simultaneous lift and tilt functions.

**Tilt Cylinder.** A large tilt cylinder delivers exceptional backdrag performance.

**Hoses.** Caterpillar XT™ hoses and couplings provide rugged, reliable performance with significantly reduced risk of leaks and blown lines.

### **Modular Hydraulic Control Valves.**

Modular hydraulic control valves add a new dimension of versatility that greatly simplifies and lowers overall cost of reconfiguring the machine for additional functions.

**Two-Section Control Valve.** The 924G comes equipped with a two-section control valve for lift and tilt functions. Up to two additional valve sections can be stacked on the existing ones.

**Ground Level Access.** The control valves feature convenient ground level access for easy modifications to the system.

**Pumps.** Separate steering and implement pumps improve machine response.

**Load-Sensing Steering.** Load-sensing steering provides low effort operator control, making more power available for rimpull, breakout and lift forces.

**Pressure Taps.** Standard pressure taps allow quick diagnosis of the entire hydraulic system.

**Optional Ride Control System.** The improved Ride Control System provides a comfortable ride at all speeds and improved hard bank digging. Three modes are available: auto, on and off.

## Serviceability

*Improved access and fewer maintenance requirements add up to unparalleled ease of service.*

**Easy Access.** Gull-wing engine enclosure doors with gas struts lift for exceptional access to filters and service points. Radiator and oil coolers are easily accessible for cleaning.

**Simplified Routine Service.** All service points are accessible from the ground level. Easily check radiator coolant, hydraulic oil and transmission oil levels with sight gauges.

**Swing-out Cooling Fan.** A swing-out cooling fan allows quick, easy cleaning and service of the radiator. The fan is hydraulically driven and separate from the engine compartment for exceptional low noise operation.

**Optional Reversing Fan.** Optional reversing capability of the fan cleans screens without interrupting machine operation.

**S•O•S<sup>SM</sup> Ports.** Scheduled Oil Sampling ports are factory installed for improved access to engine, transmission and hydraulic oils. S•O•S ports make oil sampling quicker, cleaner and provide the best oil sample for analysis.

**Oil Filters.** Spin-on filters for engine oil, transmission oil and hydraulic oil are vertically mounted for easier servicing.

**Self-Diagnostics.** Self-diagnostic transmission and data link allows quick and easy troubleshooting by service personnel. Service codes are easily accessed through the gauge console.



### **Extended Life Coolant/Antifreeze.**

Cat Extended Life Coolant/Antifreeze allows extended operation (up to 6,000 hours) between changes.

**Other Service Features.** Other service features include:

- Maintenance-free driveshaft
- Stationary radiator and coolant hoses

- Standard hydraulic oil cooler
- Adjustment-free brakes
- Adjustment-free engine fuel system
- Grouped grease fittings
- Positive torque hose clamps
- Braided, color coded and numbered wiring

## Owning & Operating Costs

*Cost saving features help improve your bottom line.*



**Low Fuel Consumption.** The 3056E DIT ATAAC engine features low fuel consumption for more economical operation.

**Increased Power, Faster Cycle Times.** Higher horsepower and increased torque rise results in more power and faster cycle times, allowing the operator to get more work done in a day.

**Extended Service Intervals.** Service intervals have been extended to reduce machine service time and increase machine availability:

- 4,000 hour hydraulic oil change (S•O•S sampling required)
- 1,000 hour hydraulic filter change
- 500 hour engine oil change

**Smoother Transmission for Increased Productivity.** A smoother shifting transmission provides a more comfortable work environment, allowing the operator to be more productive throughout the entire work shift.

**Demand Fan.** Demand fan changes speed to meet cooling requirements and save fuel.

**Engine Derate Feature.** Auto Derate monitors vital engine systems and will derate the engine horsepower up to 50% to protect the engine.

**Product Link Option.** Caterpillar's asset management or equipment management system called Product Link, enables dealers and their customers to track equipment for hours and location, and in some cases monitor machine health. This easy-to-use system provides information flow between a machine and the user through the internet based Dealer Storefront. This information helps lower operating costs through timely service/repairs and optimized machine use.

**Machine Security System Option.**

The Machine Security System (MSS) inhibits unauthorized machine use by immobilizing vital electrical circuits. Critical machine circuits are inhibited unless a valid key is used to start the machine.

## Environmentally Responsible Design

*Caterpillar machines not only help you build a better world, they help maintain and preserve the fragile environment.*

**Low Fuel Consumption.** The 924G is the top performer in its size class. The result is more work done in a day, less fuel consumed and minimal impact on the environment.

**Low Exhaust Emissions.** The Cat 3056E DIT ATAAC is a low emission engine designed to meet current worldwide emission regulations and is Tier 2 compliant.

**Quiet Operation.** The engine cooling system allows the engine to be fully enclosed, allowing less engine noise to escape. With the optional sound suppression package, the 924G is even quieter.

**Ozone Protection.** To help protect the earth's ozone layer, the air conditioning unit uses only R-134a refrigerant which does not contain harmful chlorofluorocarbons (CFC's).

**Fewer Leaks and Spills.** Engine oil, transmission and hydraulic filters are positioned vertically and are easily removed without spillage. Cat O-ring face seals, XT hose and hydraulic cylinders are all designed to help prevent fluid leaks that can weaken the machine's performance and cause harm to the environment.

**Rebuildable Components.** All major components are designed for rebuildability.



### **Biodegradable Hydraulic Oil.**

Caterpillar biodegradable hydraulic oil can be used in the 924G, providing an environmentally-sound alternative to mineral-based oils.

## Complete Customer Support

*Caterpillar dealer services ensure a longer machine operating life with lower costs.*



**Selection.** Make detailed comparisons of machines before purchasing. What are the job requirements? What production is needed? What is the true cost of lost production? Your Cat dealer can give you precise answers to these questions.

**Purchase.** Look at the value the 924G offers. Consider the financing options your Cat dealer offers as well as day-to-day operating costs. Dealer support services can be included in the cost of the machine to yield lower equipment owning and operating costs over the life of the machine.

**Operation.** For the best operating techniques to increase productivity and your profit, turn to your Cat dealer for the latest training literature and trained staff.

**Maintenance.** Choose from a wide range of maintenance services at the time of machine purchase. Repair option programs guarantee the cost of repairs up front. Diagnostic programs such as S•O•S Oil Analysis and Technical Analysis help avoid unscheduled repairs that can cost unnecessary time and money.

**Replacement.** Repair, rebuild or replace? Your Cat dealer can help you evaluate the cost involved to make the right choice.

**Product Support.** You will find nearly all parts at our dealer parts counter. Cat dealers utilize a worldwide computer network to find in-stock parts to minimize machine downtime. Additionally, Caterpillar offers a line of genuine remanufactured components which can help lower repair costs.

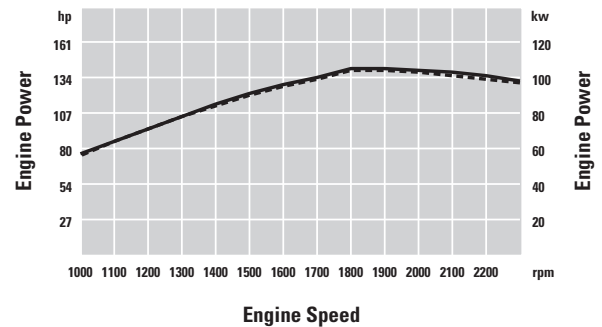
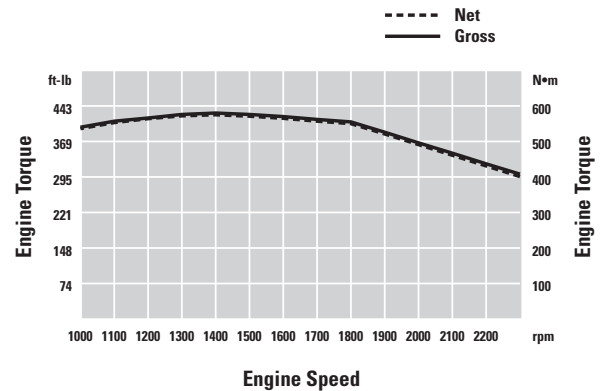
**www.cat.com.** For more complete information on Cat products, dealer services, and industry solutions, visit us on the web at [www.cat.com](http://www.cat.com). Specializing in fast, accurate and up-to-date information, the Cat web site delivers the information you need to operate your business, 24-hours a day.

## Engine

Model	Caterpillar 3056E DIT ATAAC	
Rated Net Power @ 2,300 rpm		
SAE J1349	96 kW	129 hp
ISO 9249	97 kW	130 hp
EEC 80/1269	97 kW	130 hp
Maximum Net Power @ 1,900 rpm		
SAE J1349	102 kW	137 hp
ISO 9249	103 kW	138 hp
EEC 80/1269	103 kW	138 hp
Bore	100 mm	3.94 in
Stroke	127 mm	5 in
Displacement	6 L	366 in <sup>3</sup>

- Net Power ratings are tested at the reference conditions for the specified standard.
- Net power advertised is the power available at the flywheel when the engine is equipped with alternator, air cleaner, muffler and fan at minimum speed.
- No derating required up to 3000 m (9,843 ft) altitude. Auto derate protects the engine, hydraulic and transmission systems.
- When the fan is at maximum speed Rated Net Power is 86 kW (115 hp) and Maximum Net Power is 96 kW (129 hp) at the flywheel per the SAE reference conditions.
- The Caterpillar 3056E DIT ATAAC engine meets Tier 2 off-highway emission regulations.
- Features:
  - Electronically controlled rotary fuel pump
  - Three-ring, controlled-expansion, lubricated pistons
  - Gear-driven water and oil pumps
  - One-piece cast iron cylinder heads with two valves per cylinder
  - Fuel priming pump and fuel/water separator
  - S•O•S sampling port for engine oil
  - Replaceable dry liners
  - Cast aluminum valve cover
  - Radiator can be easily accessed for cleaning

## Engine Torque



## Weights

Operating Weight	11 340 kg	24,990 lb
------------------	-----------	-----------

- Specifications shown are for 924G with optional counterweight, standard lubricants, full fuel tank, Cat with A/C, sliding glass, Cat Contour Seat, Limited Slip axles with dual disc rear, 4L 4V hydraulics, heavy duty cooler, supplemental steering, roading fenders, reversing fan, back-up alarm, guards, ride control, radio, 1.8 m<sup>3</sup> (2.3 yd<sup>3</sup>) bucket with bolt-on cutting edge, 80 kg (176 lb) operator and 20.5 R25 radial (L-3) XHA tires.

## Steering

Minimum turning radius (over tire)	5070 mm	200 in
Steering angle, each direction	40°	
Steering cylinders, two, bore	70 mm	2.75 in
Hydraulic output at 2,300 engine rpm and 6900 kPa (1000 psi)	106 L/min	27.7 gal/min
Maximum working pressure	20 685 kPa	3,000 psi

- Center-point frame articulation.
- Front and rear wheels track.
- Variable displacement piston pump provides steering power at all engine and ground speeds.
- Tilt steering console.
- High-impact rubber steering stops.
- Secondary steering system meets roading regulations in various countries and ISO 5010.

## Loader Hydraulic System

Output at 2,300 engine rpm and 6900 kPa (1000 psi) with SAE 10W oil at 65°C (150°F)	152 L/min	39.5 gal/min
Maximum working pressure	25 900 kPa	3,755 psi
Hydraulic cycle time:		
Raise	5.1 Seconds	
Dump	1.4 Seconds	
Lower, empty, float down	2.4 Seconds	
Total	8.9 Seconds	
Lift cylinders, double acting:		
Bore	101.6 mm	4 in
Stroke	810 mm	31.9 in
Tilt cylinder, double acting:		
Bore	133.4 mm	5.25 in
Stroke	945 mm	37.2 in

- Load-sensing system provides only the flow and pressure needed to move the load.
- Variable-displacement axial piston implement pump.
- Low effort, hydraulic joystick controls.
- Electronic pilot shut-off switch disables implement functions for added safety.
- Hydraulic couplings with O-ring face seals.
- Improved Ride Control system available to provide improved ride with less spillage from bucket during load & carry operations and better hard bank capability.

## Service Refill Capacities

Fuel tank	225 L	59.4 gal
Cooling system	40 L	10.6 gal
Crankcase	16 L	4.2 gal
Transmission	23 L	6.1 gal
Differentials and final drives:		
Front	21 L	5.5 gal
Rear	21 L	5.5 gal
Hydraulic system (including tank)	125 L	33 gal
Hydraulic tank	70 L	18.5 gal

## Transmission

Standard transmission, max travel speeds:		
Forward 1	6.7 kph	4.2 mph
Forward 2	12.2 kph	7.6 mph
Forward 3	21.8 kph	13.5 mph
Forward 4	38.5 kph	23.9 mph
Reverse 1	6.7 kph	4.2 mph
Reverse 2	12.2 kph	7.6 mph
Reverse 3	21.8 kph	13.5 mph
Optional low speed transmission, max travel speeds:		
Forward 1	3.7 kph	2.3 mph
Forward 2	7.5 kph	4.7 mph
Forward 3	19.6 kph	12.2 mph
Forward 4	39 kph	24.2 mph
Reverse 1	4.1 kph	2.5 mph
Reverse 2	8.1 kph	5 mph
Reverse 3	21.2 kph	13.2 mph

- Electronically-controlled Caterpillar countershaft transmission with full on-the-go directional and speed change capability.
- High-energy friction materials and thick reaction plates for better tolerance of heat.
- High-contact ratio spur gears are precision ground and heat treated for quiet, reliable operation.
- Electronic autoshift is standard.
- Button on implement control lever allows downshifting on demand.
- Computer controlled modulation provides smoother transitions.
- Optional low speed transmission available for better match with attachments requiring high hydraulic flow.

## Axles

### Features:

- Fixed front, oscillating rear ( $\pm 12^\circ$  with 17.5 - 25 L-2 tires).
- Caterpillar axle with fully-enclosed brakes and final drives.
- Patented Duo-Cone Seals between axle and housing.
- Rear wheel can raise or drop a total of:
  - 423 mm (16.6 in) with 17.5 tires, or
  - 326 mm (12.8 in) with 20.5 tires
- Limited Slip Differentials are optional on front, rear or both axles.
- Rear axle trunnion has remote lubrication fitting.
- Planetary final drives are lubricated from the main oil sump.
- High contact gearset reduces noise levels during meshing.



---

## Tires

---

Choice of:

- 17.5 - 25, 12PR (L-2)
- 17.5 - 25, 12PR (L-3)
- 17.5 R25, radial (L-2)
- 17.5 R25, radial (L-3)
- 550/65 R25, radial (L-2)
- 550/65 R25, radial (L-3)
- 20.5 - 25, 12PR (L-2)
- 20.5 - 25, 12PR (L-3)
- 20.5 R25, radial (L-2)
- 20.5 R25, radial (L-3)
- Other tire choices are available, contact your Cat Dealer for details.
- In certain applications, the loader's productive capabilities may exceed the tire's tonnes-km/h (ton-mph) capabilities. Caterpillar recommends that you consult a tire supplier to evaluate all conditions before selecting a tire model.

---

## Brakes

---

Features:

- Service brake:
  - Inboard oil-immersed disc brakes on front and rear axles are standard.
  - Completely enclosed and sealed.
  - Adjustment-free.
  - Separate circuits for front and rear.
  - Dual pedal braking system.
  - Fully integrated with hydraulic system, no air system required.
- Secondary brake:
  - Indicator light alerts operator if brake pressure drops.
  - Continually-charged nitrogen accumulators provide emergency stopping power in case of engine power loss.
- Parking brake:
  - Mechanical, shoe-type brake.
  - Mounted on drive line for positive manual operation.
  - Application of parking brake neutralizes the transmission.
- Optional heavy-duty brakes with integrated oil cooler.

---

## Cab

---

ROPS	SAE J1040 MAY94, ISO 3471-1994
FOPS	SAE J231 JAN81, ISO 3449-1992 Level II

---

- Caterpillar cab and Rollover Protective Structure (ROPS) are standard in North America and Europe.
- When properly installed and maintained, the cab offered by Caterpillar, when tested with doors and windows closed as per work cycle procedures specified in ANSI/SAE J1166 May 90, results in operator sound exposure Leq (equivalent sound pressure level) of 74 dB(A).
- As manufactured by Caterpillar, this machine's exterior sound power level meets the criteria spelled out in the European Directives noted on the certificate of conformance and the accompanying labeling.

---

## Bucket Controls

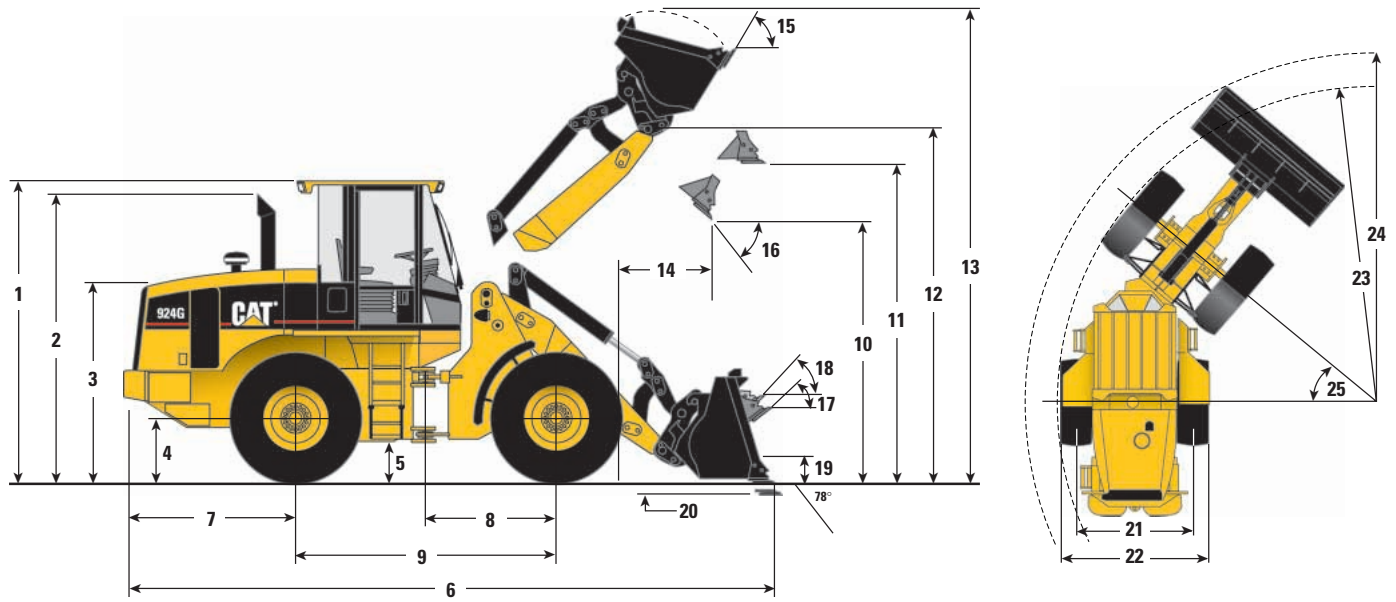
---

Features:

- Lift circuit:
  - Four positions: raise, hold, lower and float.
  - Adjustable automatic kickout from horizontal to full tilt.
- Tilt circuit:
  - Three positions: tilt back, hold and dump.
  - Two-speed dump for quick dumping with bucket and precise load control with forks or other work tools.
  - Adjustable automatic bucket positioner to desired loading angle.
  - Does not require visual spotting.
- Controls:
  - Choice of two low effort control systems: a joystick or a two-lever control of lift and tilt circuits.
  - Optional third and fourth function hydraulic circuits available with individual lever controls for remote hydraulic functions.
  - Controls can be disabled for roading.

# Dimensions with Bucket

All dimensions are approximate. Dimensions may vary with bucket. Refer to Operating Specifications.



	Standard VersaLink		High Lift VersaLink	
1	Height to top of ROPS/FOPS	3227 mm (10 ft 8 in)	3226 mm (10 ft 8 in)	
2	Height to top of exhaust stack	3211 mm (10 ft 7 in)	3210 mm (10 ft 7 in)	
3	Height to top of hood	2219 mm (7 ft 4 in)	2218 mm (7 ft 4 in)	
4	Height to center of axle	692 mm (2 ft 4 in)	692 mm (2 ft 4 in)	
5	Ground clearance	436 mm (1 ft 5 in)	435 mm (1 ft 6 in)	
6	Overall length	7168 mm (23 ft 6 in)	7659 mm (25 ft 2 in)	
7	Length – rear axle to bumper	1923 mm (6 ft 4 in)	1923 mm (6 ft 4 in)	
8	Center line of front axle to hitch	1400 mm (4 ft 7 in)	1400 mm (4 ft 8 in)	
9	Wheel base length	2800 mm (9 ft 2 in)	2800 mm (9 ft 3 in)	
10	Dump clearance at maximum lift and 45° dump	2828 mm (9 ft 4 in)	3335 mm (10 ft 11 in)	
11	Bucket clearance at maximum lift and level	3556 mm (11 ft 8 in)	4063 mm (13 ft 4 in)	
12	Bucket pin height at maximum lift	3881 mm (12 ft 8 in)	4387 mm (14 ft 5 in)	
13	Overall height – bucket raised	5178 mm (16 ft 11 in)	5684 mm (18 ft 8 in)	
14	Reach at maximum lift and 45° dump	992 mm (3 ft 3 in)	993 mm (3 ft 4 in)	
15	Rack back angle at maximum lift	58°	62°	
16	Dump angle at maximum lift	45°	45°	
17	Rack back angle at ground	50°	50°	
18	Rack back angle at carry	51°	54°	
19	Carry height	435 mm (1 ft 5 in)	592 mm (1 ft 11 in)	
20	Digging depth	64 mm (2.5 in)	75 mm (3 in)	

Dimensions listed are for 924G with optional counterweight, standard lubricants, full fuel tank, Cat with A/C, sliding glass, Cat Contour Seat, Limited Slip axles with dual disc rear, 4L 4V hydraulics, heavy duty cooler, supplemental steering, roading fenders, reversing fan, back-up alarm, guards, ride control, radio, 1.8 m<sup>3</sup> (2.3 yd<sup>3</sup>) bucket with bolt-on cutting edge, 80 kg (176 lb) operator and 20.5 R25 radial (L-3) XHA tires. Refer to Operating Specifications for bucket variations.

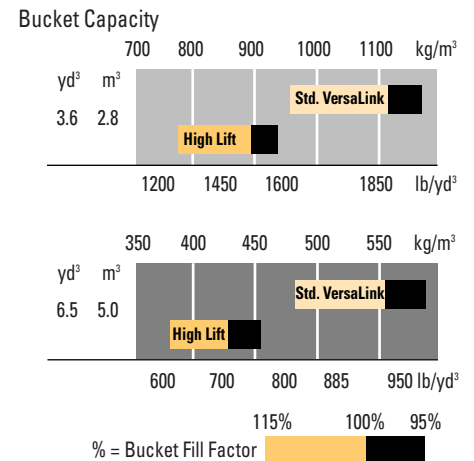
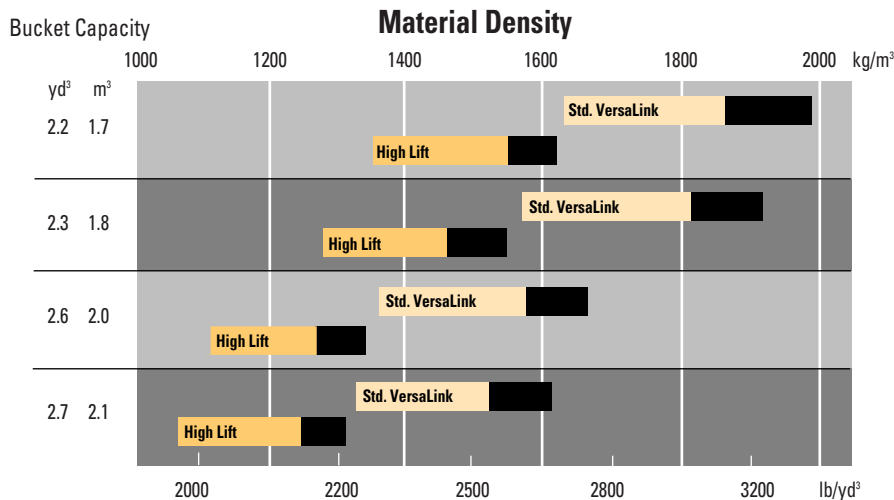
	17.5-25 12PR (L-2) Tires		20.5-25 12PR (L-2) Tires	
21	Width at tread center	1880 mm (6 ft 2 in)	1880 mm (6 ft 2 in)	
22	Overall width over tires	2356 mm (7 ft 9 in)	2466 mm (8 ft 1 in)	
23	Minimum turning radius over tire	5070 mm (16 ft 8 in)	5135 mm (16 ft 10 in)	
24	Minimum turning radius over bucket	See Operating Specifications with Bucket Chart		5840 mm (19 ft 2 in)
25	Steering angle – left/right	40°		40°
	Change in vertical dimension	-68 (-3)	no change	no change

# Typical Material Densities – Loose

	kg/m <sup>3</sup>	lb/yd <sup>3</sup>
Basalt	1960	3305
Bauxite, Kaolin	1420	2394
Clay		
natural bed	1660	2799
dry	1480	2495
wet	1660	2799
Clay and gravel		
dry	1420	2394
wet	1540	2596
Decomposed rock		
75% rock, 25% earth	1960	3305
50% rock, 50% earth	1720	2900
25% rock, 75% earth	1570	2647
Earth		
dry, packed	1510	2546
wet, excavated	1600	2698
Granite		
broken	1660	2799
Gravel		
pitrun	1930	3254
dry	1510	2546
dry, 6-50 mm (0.2-2")	1690	2849
wet, 6-50 mm (0.2-2")	2020	3406


	kg/m <sup>3</sup>	lb/yd <sup>3</sup>
Gypsum		
broken	1810	3052
crushed	1600	2698
Limestone		
broken	1540	2596
crushed	1540	2596
Sand		
dry, loose	1420	2394
damp	1690	2849
wet	1840	3102
Sand and clay		
loose	1600	2698
Sand and gravel		
dry	1720	2900
wet	2020	3416
Sandstone	1510	2546
Shale	1250	2107
Slag		
broken	1750	2950
Stone		
crushed	1600	2698
Wood chips	400	680

## Bucket Selector



# Standard VersaLink

Operating Specifications with Bucket

Hook-on Buckets using Quick Coupler		General Purpose						Waste/Ag	Woodchip
		Bolt-On Cutting Edge		Bolt-On Teeth & Segments*		Bolt-On Teeth*		Bolt-On Cutting Edge	Bolt-On Cutting Edge
Rated bucket capacity (§)	m <sup>3</sup> yd <sup>3</sup>	1.8	2.1	1.8	2.1	1.7	2.0	2.8	5.0
		2.3	2.7	2.3	2.7	2.2	2.6	3.6	6.5
Struck capacity (§)	m <sup>3</sup> yd <sup>3</sup>	1.5	1.7	1.5	1.7	1.4	1.6	2.3	4.1
		2.0	2.2	2.0	2.2	1.8	2.1	3.0	5.4
Bucket width	mm ft/in	2550	2550	2585	2585	2585	2585	2550	3392
		8'4"	8'4"	8'6"	8'6"	8'6"	8'6"	8'4"	11'2"
<b>10</b> Dump clearance at full lift and 45° discharge (§)	mm ft/in	2828	2759	2724	2655	2724	2655	2623	2512
		9'4"	9'1"	9'0"	8'9"	9'0"	8'9"	8'8"	8'3"
<b>14</b> Reach at full lift and 45° discharge (§)	mm ft/in	992	1060	1095	1163	1095	1163	1198	1158
		3'4"	3'6"	3'8"	3'10"	3'8"	3'10"	4'0"	3'10"
Reach at 45° discharge and 2130 mm (7'0") clearance (§)	mm ft/in	1515	1545	1558	1583	1558	1583	1596	1477
		5'0"	5'1"	5'2"	5'3"	5'2"	5'3"	5'3"	4'11"
Reach with lift arms horizontal and bucket level	mm ft/in	2295	2392	2441	2538	2441	2538	2585	2659
		7'7"	7'11"	8'1"	8'4"	8'1"	8'4"	8'6"	8'9"
<b>20</b> Digging depth (§)	mm in	64	72	64	72	39	47	89	64
		2.5"	2.8"	2.5"	2.8"	1.5"	1.9"	3.5"	2.5"
<b>6</b> Overall length	mm ft/in	7168	7272	7168	7418	7291	7397	7479	7531
		23'7"	23'11"	23'7"	24'5"	24'0"	24'4"	24'7"	24'9"
<b>13</b> Overall height with bucket at full raise (§)	mm ft/in	5178	5288	5178	5288	5178	5288	5410	5671
		16'11"	17'5"	17'0"	17'5"	17'0"	17'5"	17'9"	18'8"
<b>24</b> Loader clearance radius with bucket in carry position (§)	mm ft/in	5603	5631	5662	5690	5662	5690	5689	6081
		18'5"	18'6"	18'7"	18'8"	18'7"	18'8"	18'8"	19'11"
Static tipping load straight (§)	kg lb	8286	8195	8120	7969	8299	8134	7946	7682
		18,268	18,067	17,902	17,569	18,296	17,932	17,518	16,936
Static tipping load full 40° turn (§)	kg lb	7232	7144	7065	6919	7234	7083	6910	6708
		15,944	15,750	15,576	15,254	15,948	15,615	15,234	14,789
Breakout force (§)	kg lb	9956	9130	9835	8970	10 545	9617	7806	7222
		21,949	20,128	21,682	19,775	23,247	21,201	17,209	15,921
Operating weight	kg lb	11 335	11 383	11 470	11 567	11 384	11 433	11 497	11 861
		24,990	25,096	25,288	25,502	25,098	25,206	25,347	26,150

Specifications shown are for 924G with optional counterweight, standard lubricants, full fuel tank, Cat with A/C, sliding glass, Cat Contour Seat, Limited Slip axles with dual disc rear, 4L 4V hydraulics, heavy duty cooler, supplemental steering, roading fenders, reversing fan, back-up alarm, guards, ride control, radio, 1.8 m<sup>3</sup> (2.3 yd<sup>3</sup>) bucket with bolt-on cutting edge, 80 kg (176 lb) operator and 20.5 R25 radial (L-3) XHA tires.

\* Dimensions are measured to the tip of the bucket teeth to provide accurate clearance data. SAE standards specifies the cutting edge.

(§) Specifications and ratings conform to all applicable standards recommended by the Society of Automotive Engineers (SAE), including SAE Standards J732 JUN92 and J742 FEB85 governing loader ratings.


**Pin-on Buckets**



General Purpose						Waste/Ag	Woodchip
Bolt-On Cutting Edge		Bolt-On Teeth & Segments*		Bolt-On Teeth*		Bolt-On Cutting Edge	Bolt-On Cutting Edge
1.8 2.3	2.1 2.7	1.8 2.3	2.1 2.7	1.7 2.2	2.0 2.6	2.8 3.6	5.0 6.5
1.5 2.0	1.7 2.2	1.5 2.0	1.7 2.2	1.4 1.8	1.6 2.1	2.3 3.0	4.1 5.4
2550 8'4"	2550 8'4"	2585 8'6"	2585 8'6"	2585 8'6"	2585 8'6"	2550 8'4"	3392 11'2"
2918 9'7"	2849 9'5"	2814 9'3"	2745 9'1"	2814 9'3"	2745 9'1"	2713 8'11"	2586 8'6"
885 2'11"	953 3'2"	988 3'3"	1056 3'6"	988 3'3"	1056 3'6"	1091 3'7"	1048 3'6"
1451 4'10"	1484 4'11"	1500 5'0"	1529 5'1"	1500 5'0"	1529 5'1"	1544 5'1"	1417 4'8"
2155 7'1"	2252 7'5"	2301 7'7"	2398 7'11"	2301 7'7"	2398 7'11"	2441 8'1"	2529 8'4"
64 2.5"	72 2.8"	64 2.5"	72 2.8"	39 1.5"	47 1.9"	89 3.5"	89 3.5"
7028 23'1"	7132 23'5"	7094 23'4"	7278 23'11"	7154 23'6"	7257 23'10"	7339 24'1"	7423 24'5"
5088 16'9"	5200 17'1"	5088 16'9"	5200 17'1"	5088 16'9"	5200 17'1"	5322 17'6"	5569 18'4"
5568 18'3"	5595 18'4"	5625 18'5"	5653 18'7"	5625 18'5"	5653 18'7"	5651 18'6"	6056 19'10"
8720 19,224	8647 19,063	8554 18,858	8419 18,561	8740 19,269	8585 18,927	8382 18,479	8045 17,736
7626 16,813	7557 16,660	7459 16,444	7330 16,160	7635 16,832	7495 16,524	7309 16,114	6974 15,375
11 452 25,247	10 405 22,939	11 330 24,978	10 243 22,582	12 251 27,008	11 052 24,365	8757 19,305	8050 17,747
11 213 24,721	11 241 24,783	11 349 25,021	11 423 25,184	11 263 24,831	11 291 24,893	11 357 25,039	11 695 25,784

# High Lift VersaLink

Operating Specifications with Bucket

Hook-on Buckets using Quick Coupler 	General Purpose						Waste/Ag	Woodchip	
	Bolt-On Cutting Edge		Bolt-On Teeth & Segments*		Bolt-On Teeth*		Bolt-On Cutting Edge	Bolt-On Cutting Edge	
Rated bucket capacity (§)	m <sup>3</sup>	1.8	2.1	1.8	2.1	1.7	2.0	2.8	5.0
	yd <sup>3</sup>	2.3	2.7	2.3	2.7	2.2	2.6	3.6	6.5
Struck capacity (§)	m <sup>3</sup>	1.5	1.7	1.5	1.7	1.4	1.6	2.3	4.1
	yd <sup>3</sup>	2.0	2.2	2.0	2.2	1.8	2.1	3.0	5.4
Bucket width	mm	2550	2550	2585	2585	2585	2585	2550	3392
	ft/in	8'4"	8'4"	8'6"	8'6"	8'6"	8'6"	8'4"	11'2"
<b>10</b> Dump clearance at full lift and 45° discharge (§)	mm	3335	3266	3231	3162	3231	3162	3130	3019
	ft/in	11'0"	10'9"	10'8"	10'5"	10'8"	10'5"	10'4"	9'11"
<b>14</b> Reach at full lift and 45° discharge (§)	mm	993	1061	1096	1165	1096	1165	1199	1158
	ft/in	3'3"	3'6"	3'7"	3'10"	3'7"	3'10"	3'11"	3'10"
Reach at 45° discharge and 2130 mm (7'0") clearance (§)	mm	1946	1981	1999	2031	1999	2031	2048	1944
	ft/in	6'5"	6'6"	6'7"	6'8"	6'7"	6'8"	6'9"	6'5"
Reach with lift arms horizontal and bucket level	mm	2686	2783	2832	2929	2832	2929	2976	3049
	ft/in	8'10"	9'2"	9'3"	9'7"	9'3"	9'7"	9'9"	10'0"
<b>20</b> Digging depth (§)	mm	75	83	75	83	50	58	100	75
	in	3"	3.3"	3"	3.3"	2"	2.3"	3.9"	3"
<b>6</b> Overall length	mm	7659	7761	7805	7907	7787	7890	7965	8022
	ft/in	25'2"	25'6"	25'7"	25'11"	25'7"	25'11"	26'2"	26'4"
<b>13</b> Overall height with bucket at full raise (§)	mm	5684	5794	5684	5794	5684	5794	5917	6178
	ft/in	18'8"	19'0"	18'8"	19'0"	18'8"	19'0"	19'5"	20'3"
<b>24</b> Loader clearance radius with bucket in carry position (§)	mm	5840	5870	5902	5933	5902	5933	5934	6311
	ft/in	19'2"	19'3"	19'4"	19'6"	19'4"	19'6"	19'6"	20'8"
Static tipping load straight (§)	kg	6717	6638	6556	6475	6708	6578	6428	6139
	lb	14,809	14,634	14,454	14,275	14,789	14,502	14,171	13,534
Static tipping load full 40° turn (§)	kg	5880	5803	5718	5640	5863	5743	5605	5309
	lb	12,963	12,793	12,606	12,434	12,926	12,661	12,357	11,704
Breakout force (§)	kg	9956	9130	9842	9014	10 565	9635	7802	7241
	lb	21,949	20,128	21,698	19,872	23,291	21,241	17,200	15,963
Operating weight	kg	11 421	11 470	11 556	11 602	11 471	11 520	11 583	11 947
	lb	25,180	25,288	25,477	25,579	25,290	25,398	25,537	26,339

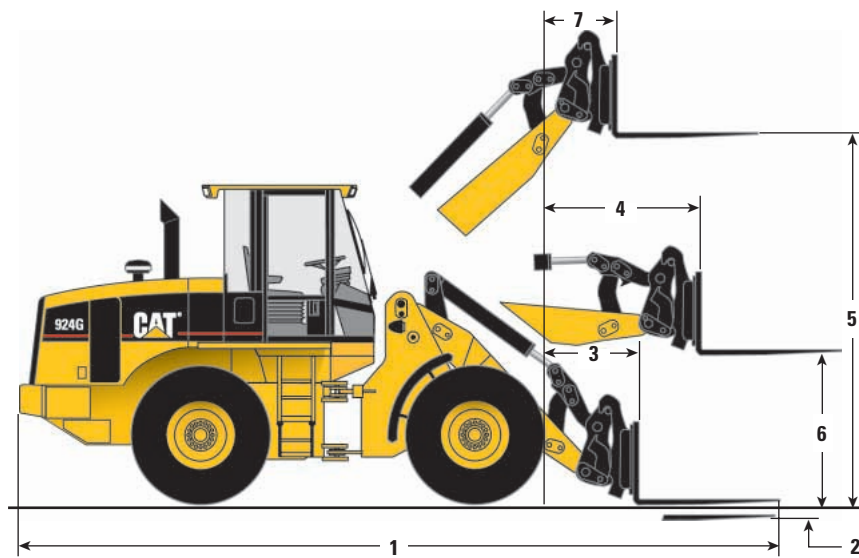
**Pin-on Buckets**



General Purpose						Waste/Ag	Woodchip
Bolt-On Cutting Edge		Bolt-On Teeth & Segments*		Bolt-On Teeth*		Bolt-On Cutting Edge	Bolt-On Cutting Edge
1.8 2.3	2.1 2.7	1.8 2.3	2.1 2.7	1.7 2.2	2.0 2.6	2.8 3.6	5.0 6.5
1.5 2.0	1.7 2.2	1.5 2.0	1.7 2.2	1.4 1.8	1.6 2.1	2.3 3.0	4.1 5.4
2550 8'4"	2550 8'4"	2585 8'6"	2585 8'6"	2585 8'6"	2585 8'6"	2550 8'4"	3392 11'2"
3426 11'3"	3358 11'1"	3322 10'11"	3253 10'9"	3322 10'11"	3253 10'9"	3221 10'7"	3093 10'2"
886 2'11"	954 3'2"	989 3'3"	1057 3'6"	989 3'3"	1057 3'6"	1093 3'7"	1049 3'5"
1876 6'2"	1914 6'3"	1933 6'4"	1968 6'5"	1933 6'4"	1968 6'5"	1987 6'6"	1875 6'2"
2546 8'4"	2643 8'8"	2692 8'10"	2789 9'2"	2692 8'10"	2789 9'2"	2836 9'4"	2920 9'7"
74 2.9"	82 3.2"	74 2.9"	82 3.2"	49 1.9"	57 2.2"	99 3.9"	99 3.9"
7518 24'8"	7620 25'0"	7664 25'2"	7766 25'6"	7649 25'1"	7749 25'5"	7965 26'2"	7909 25'11"
5595 18'4"	5707 18'9"	5595 18'4"	5707 18'9"	5595 18'4"	5707 18'9"	5830 19'2"	6076 19'11"
5801 19'0"	5831 19'2"	5862 19'3"	5892 19'4"	5862 19'3"	5892 19'4"	5892 19'4"	6285 20'7"
7107 15,668	7048 15,538	6946 15,313	6884 15,177	7103 15,660	6988 15,406	6827 15,051	6494 14,317
6188 13,642	6131 13,517	6026 13,285	5968 13,157	6176 13,616	6071 13,384	5923 13,058	5591 12,326
11 445 25,232	10 396 22,919	11 332 24,982	10 282 22,668	12 268 27,046	11 064 24,392	8747 19,283	8050 17,747
11 300 24,913	11 328 24,975	11 435 25,210	11 463 25,272	11 349 25,021	11 377 25,083	11 446 25,235	11 781 25,973

## Dimensions with Pallet Forks

All dimensions are approximate. Dimensions vary with fork length. Refer to Operating Specifications chart below.



### Standard VersaLink

#### Fork Tine Length

	1200 mm (3 ft 11 in)	1350 mm (4 ft 5 in)
1	7607 mm (25 ft 0 in)	7772 mm (25 ft 6 in)
2	32 mm (1 in)	32 mm (1 in)
3	932 mm (3 ft 1 in)	947 mm (3 ft 1 in)
4	1561 mm (5 ft 1 in)	1576 mm (5 ft 2 in)
6	1790 mm (5 ft 10 in)	1790 mm (5 ft 10 in)
5	3637 mm (11 ft 11 in)	3652 mm (12 ft 0 in)
7	762 mm (2 ft 6 in)	762 mm (2 ft 6 in)

### High Lift VersaLink

	1200 mm (3 ft 11 in)	1350 mm (4 ft 5 in)
1	8104 mm (26 ft 7 in)	8269 mm (27 ft 2 in)
2	42 mm (2 in)	42 mm (2 in)
3	1428 mm (4 ft 8 in)	1443 mm (4 ft 9 in)
4	1952 mm (6 ft 5 in)	1967 mm (6 ft 5 in)
5	4144 mm (13 ft 7 in)	4159 mm (13 ft 8 in)
6	1790 mm (5 ft 10 in)	1790 mm (5 ft 10 in)
7	762 mm (2 ft 6 in)	762 mm (2 ft 6 in)

## Operating Specifications with Pallet Forks

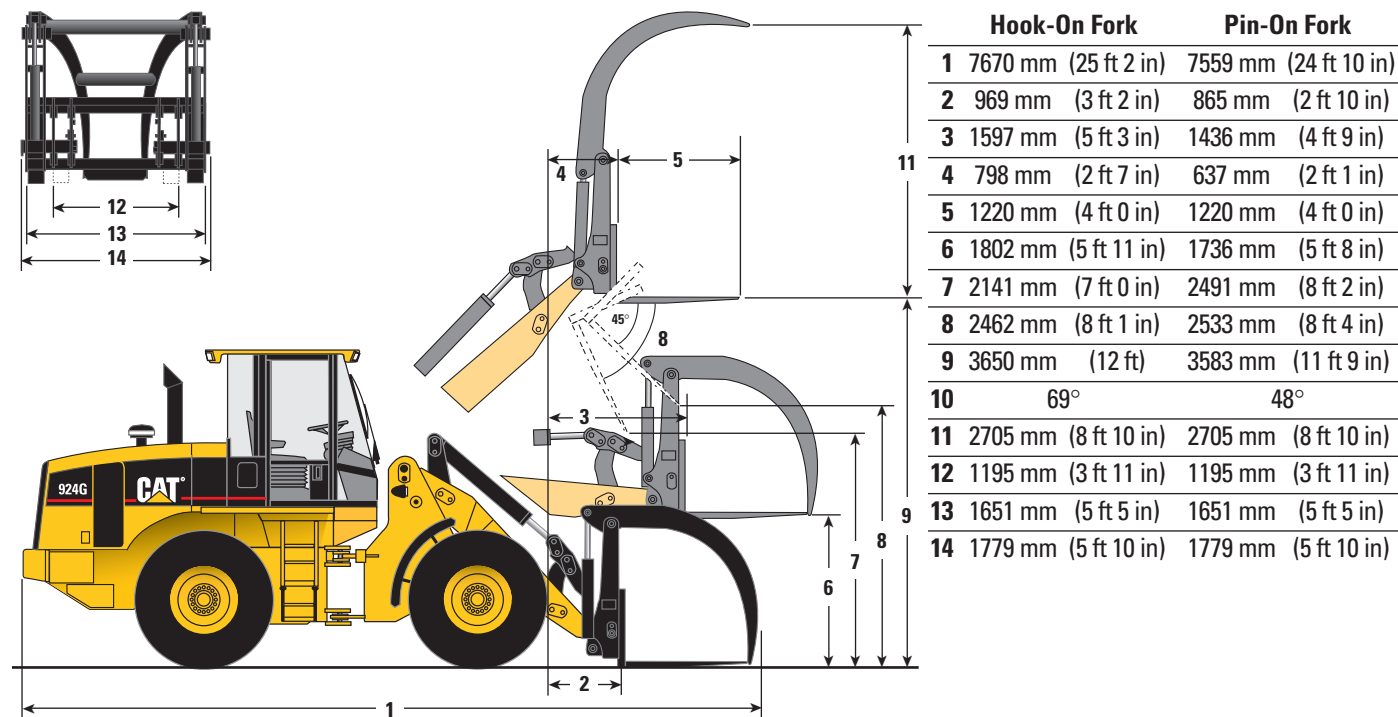
Standard VersaLink:	Fork Tine Length			
	1200 mm	3 ft 11 in)	1350 mm	4 ft 5 in)
Operating load:				
Per SAE J1197 FEB91 (50% of FTSTL)	2719 kg	(5994 lb)	2606.5 kg	(5746 lb)
Per EN 474-3, rough terrain (60% of FTSTL)	3263 kg	(7193 lb)	3128 kg	(6896 lb)
Per EN 474-3, firm & level ground (80% of FTSTL)	4350 kg	(9591 lb)	4170 kg	(9194 lb)
Load center	600 mm	(1323 in)	675 mm	(1488 in)
Static tipping load with level arms and forks, straight*	6209 kg	(13,689 lb)	5960 kg	(13,140 lb)
Static tipping load with level arms and forks, full 40° turn*	5438 kg	(11,989 lb)	5213 kg	(11,493 lb)
Operating weight*	11 042 kg	(24,344 lb)	11 102 kg	(24,476 lb)
<b>High Lift VersaLink:</b>				
Operating load:				
Per SAE J1197 FEB91 (50% of FTSTL)	2325 kg	(5125 lb)	2232 kg	(4921 lb)
Per EN 474-3, rough terrain (60% of FTSTL)	2789 kg	(6150 lb)	2678 kg	(5905 lb)
Per EN 474-3, firm & level ground (80% of FTSTL)	3719 kg	(8199 lb)	3571 kg	(7873 lb)
Load center	600 mm	(23.6 in)	675 mm	(26.6 in)
Static tipping load with level arms and forks, straight*	5330 kg	(11,751 lb)	5108 kg	(11,261 lb)
Static tipping load with level arms and forks, full 40° turn*	4649 kg	(10,249 lb)	4464 kg	(9841 lb)
Operating weight*	11 128 kg	(24,533 lb)	11 188 kg	(24,665 lb)

\* Static tipping and operating weights shown are for 924G with optional counterweight, standard lubricants, full fuel tank, Cat with A/C, sliding glass, Cat Contour Seat, Limited Slip axles with dual disc rear, 4L 4V hydraulics, heavy duty cooler, supplemental steering, roading fenders, reversing fan, back-up alarm, guards, ride control, radio, 1.8 m<sup>3</sup> (2.3 yd<sup>3</sup>) bucket with bolt-on cutting edge, 80 kg (176 lb) operator and 20.5 R25 radial (L-3) XHA tires. Tipping load is defined by SAE J732 JUN92.



## Dimensions with Standard VersaLink and Millyard Forks

All dimensions are approximate. Dimensions vary with fork length. Refer to Operating Specifications chart below.



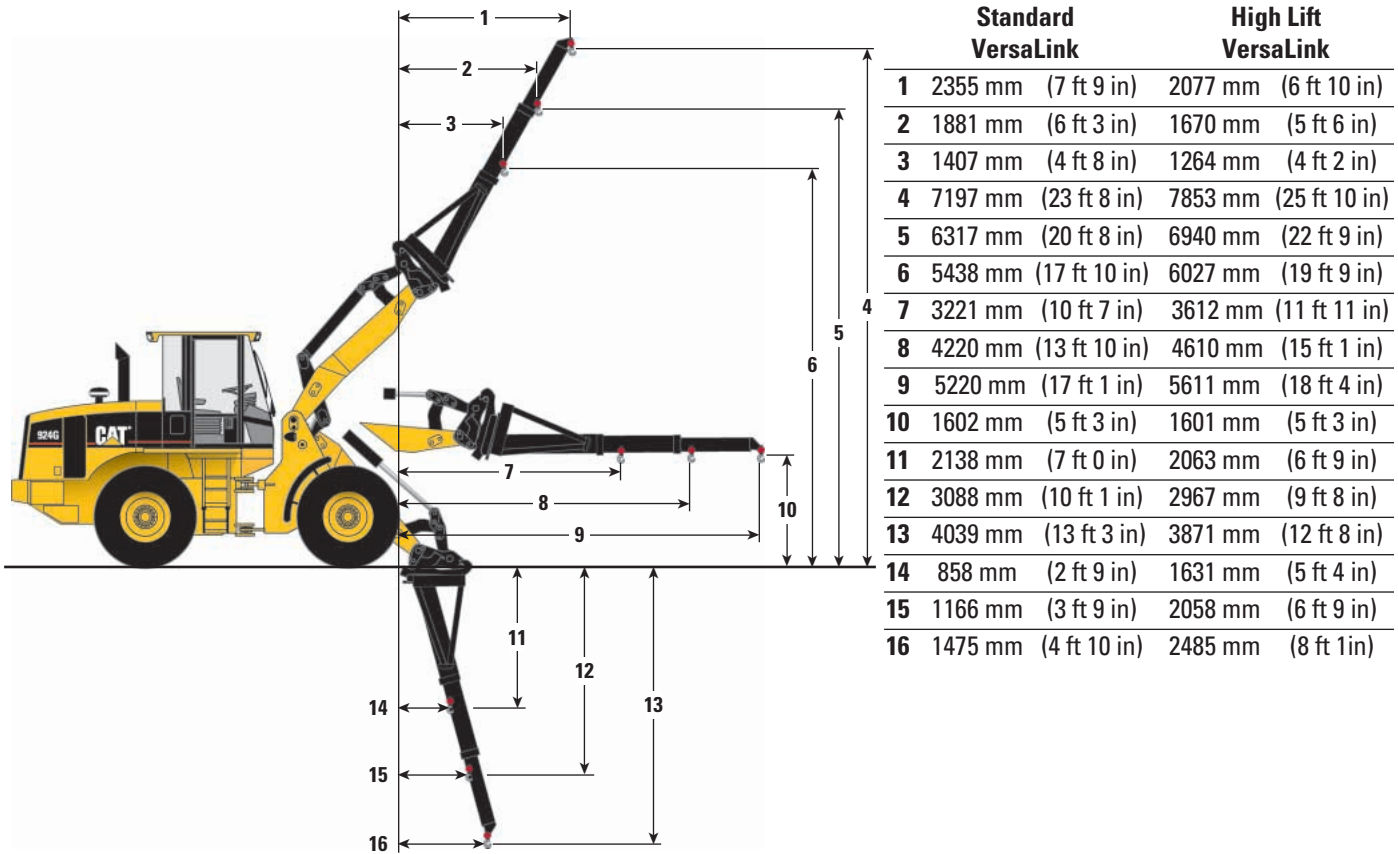
## Operating Specifications with Standard VersaLink and Millyard Forks

Fork Type	Hook-On Fork		Pin-On Fork	
Operating load:				
Per SAE J1197 FEB91 (50% of FTSTL)	2347 kg	(5174 lb)	2580.5 kg	(5689 lb)
Per EN 474-3, log handling, rough terrain (75% of FTSTL)	3521 kg	(7761 lb)	3870.75 kg	(8534 lb)
Per EN 474-3, log handling, firm & level ground (85% of FTSTL)	3990 kg	(8796 lb)	4386.85 kg	(9671 lb)
Load center	616 mm	(24.3 in)	592 mm	(23.3 in)
Static tipping load with level arm and forks, straight*	5449 kg	(12,013 lb)	5961 kg	(13,142 lb)
Static tipping load with level arm and forks, full 40° turn*	4694 kg	(10,349 lb)	5161 kg	(11,378 lb)
Operating weight*	11 742 kg	(25,887 lb)	11 630 kg	(25,640 lb)

\* Static tipping and operating weights shown are for 924G with optional counterweight, standard lubricants, full fuel tank, Cat with A/C, sliding glass, Cat Contour Seat, Limited Slip axles with dual disc rear, 4L 4V hydraulics, heavy duty cooler, supplemental steering, roading fenders, reversing fan, back-up alarm, guards, ride control, radio, 1.8 m<sup>3</sup> (2.3 yd<sup>3</sup>) bucket with bolt-on cutting edge, 80 kg (176 lb) operator and 20.5 R25 radial (L-3) XHA tires. Tipping load is defined by SAE J732 JUN92.

## Dimensions with Material Handling Arm

All dimensions are approximate.



## Operating Specifications with Material Handling Arm

Standard VersaLink:	Retracted	Mid-Position	Extended
Operating load	1790 kg (3938 lb)	1419 kg (3122 lb)	1178 kg (2592 lb)
Static tipping load, straight*	4097 kg (9013 lb)	3251 kg (7152 lb)	2698 kg (5936 lb)
Static tipping load, full 40° full turn*	3580 kg (7876 lb)	2838 kg (6244 lb)	2355 kg (5181 lb)
Operating weight*	9993 kg (22,031 lb)	9993 kg (22,031 lb)	9993 kg (22,031 lb)

### High Lift VersaLink

Operating load	1576 kg (3467 lb)	1272 kg (2798 lb)	1068 kg (2350 lb)
Static tipping load, straight*	3623 kg (7970 lb)	2927 kg (6439 lb)	2459 kg (5410 lb)
Static tipping load, full 40° full turn*	3152 kg (6934 lb)	2544 kg (5597 lb)	2136 kg (4699 lb)
Operating weight*	10 079 kg (22,220 lb)	10 079 kg (22,220 lb)	10 079 kg (22,220 lb)

\* Static tipping and operating weights shown are for machine within optional counterweight, lubricants, full fuel tank, ROPS cab, 80 kg (176 lb) operator and 17.5-25 12PR (L-2) tires. Tipping load is defined by SAE J732 JUN92.

Note: Machine stability and operating weights are affected by tire size, tire ballast and other work tools.

## Supplemental Specifications

	Change in Operating Weight		Change in Articulated Static Tipping Load with Hook-On Bucket	
	kg	lb	kg	lb
W/O Air conditioner	-32	-70	-27	-60
Canopy, ROPS (less cab)	-199	-439	-166	-366
Counterweight, 175 kg/385 lb (removal)	-175	-386	-273	-602
W/O Guard, crankcase	-15	-33	-19	-42
W/O Guard, driveshaft	-17	-37	-5	-12
W/O Guard, power train	-52	-114	-47	-104
W/O Ride control system	-40	-88	-27	-60
W/O Secondary steering	-37	-81	-31	-69
Tires, 1-piece rims				
17.5-25, 12PR (L-2)	-652	-1437	-371	-818
17.5-25, 12PR (L-3)	-580	-1279	-330	-728
17.5-25, radial (L-2)	-612	-1349	-348	-768
17.5-25, radial (L-3)	-512	-1129	-292	-644
Tires, 3-piece rims				
17.5-25, 12PR (L-2)	-528	-1164	-301	-664
17.5-25, 12PR (L-3)	-456	-1005	-260	-574
17.5-25, radial (L-2)	-488	-1076	-278	-613
17.5-25, radial (L-3)	-388	-855	-221	-488
550/65 R25, radial (L-2)	-196	-432	-112	-247
550/65 R25, radial (L-3)	-136	-300	-78	-172
20.5-25, 12PR (L-2)	-240	-529	-137	-303
20.5-25, 12PR (L-3)	-36	-79	-21	-47
20.5 R25, radial (L-2)	-172	-379	-98	-217
20.5 R25, radial (L-3)	0	0	0	0

## Standard Equipment

*Standard equipment may vary. Consult your Caterpillar dealer for details.*

### ELECTRICAL

- Alternator, 80-amp
- Alarm, back-up
- Batteries, maintenance-free, 950 CCA, (2)
- Directional signals (front & rear)
- Starting and charging system, 24V
- Halogen work lights (front & rear)
- Ignition key start/stop switch
- Roading lights
- Starting aid, thermal

### OPERATOR ENVIRONMENT

- Cab, ROPS (sound suppressed and pressurized)
- Gauges:
  - Engine coolant temperature
  - Hydraulic oil temperature
  - Torque converter oil temperature
  - Fuel level gauge
  - Speedometer
  - Digital tachometer
  - Digital hour meter/odometer
- Warning indicators:
  - Primary steering malfunction
  - Electrical system voltage low
  - Coolant temperature
  - Engine oil pressure low
  - Parking brake applied
  - Brake charge pressure low
  - Transmission oil temperature
  - Transmission oil filter bypass
  - Hydraulic oil filter bypass
- Adjustable tilt steering column
- Coat hook
- Ground level door release
- Heater/defroster
- Horn, steering wheel mounted (electric)
- Hydraulic control lever lockout
- Interior light
- Interior and exterior auxiliary power sockets
- Lighter
- Lunch box storage with cup holder
- Pilot hydraulic implement controls
- Rear window defroster, electric
- Rear view mirrors (2 inside)
- Seat, adjustable suspension, armrest (fabric or vinyl)
- Seat belt, 75 mm (3 in), retractable
- Tinted safety glass
- Tool box
- Two door cab, fixed glass
- Wiper/Washer, wet arm front/rear, intermittent front

### POWER TRAIN

- Engine, Caterpillar 3056E DIT ATAAC
  - Low emission diesel engine
  - Turbocharged
  - After cooled
  - Electronically controlled engine
- Air cleaner, dry type
- Axle seal guards
- Brakes, enclosed wet-disc full hydraulic
- Differentials, conventional (front/rear)
- Driveshaft, lubed for life
- Engine fuel priming pump
- Engine speed control
- Fuel/water separator
- Muffler
- Radiator, unit serviceable
- S•O•S<sup>SM</sup> oil sampling port, engine oil
- S•O•S<sup>SM</sup> oil sampling port, transmission oil
- Torque converter
- Transmission, 4F/3R, autoshift, single lever control with F/N/R and kickdown button
- Transmission neutralizer

### HYDRAULICS

- Hydraulic diagnostic connectors
- Hydraulic oil cooler
- Hydraulic control, 2-valve, 1-lever with F/N/R
- Load-sensing steering system
- S•O•S<sup>SM</sup> oil sampling port, hydraulic oil

### OTHER STANDARD EQUIPMENT

- Antenna, for radio
- Antifreeze/coolant, extended-life protects to -36°C (-33°F)
- Automatic bucket positioner/fork positioner
- Brakes, secondary and parking
- Bucket positioner, automatic
- Counterweight
- Engine enclosure, lockable
- Fenders, front
- Hitch, recovery
- Loader linkage, VersaLink
- Lift kickout, automatic
- Machine Security System ready
- Product Link ready
- Remote grease lines
- Steering stops, cushioned
- Swing-out, hydraulically driven demand fan
- Vandalism protection, lockable service points
- Visual indicators:
  - air cleaner service
  - coolant level
  - hydraulic oil
  - transmission oil

## Optional Equipment

*Optional equipment may vary. Consult your Caterpillar dealer for details. All weights approximate.*

Air conditioner (R-134a refrigerant)  
Alternator, 95-amp  
Antifreeze/coolant, extended-life, protects to -50°C (-58°F)  
Beacon light, rotating, magnetic-mount  
Brakes, heavy duty  
Buckets/ground engaging tools  
Canopy, ROPS  
Counterweight, 175 kg (385 lb)  
Differential, Limited Slip, front axle and/or rear axle  
Differential, NoSpin, rear axle only (custom order)  
Dust bowl precleaner  
Electrical accessories package (12V converter, accessory plug outlet, wiring)  
Fan, reversing  
Fenders, roading, rear  
Fenders, steel  
Guards:  
- Crankcase  
- Power train  
- Waste guarding package  
Hydraulic control, two lever (lift/tilt)  
Hydraulic control, third and fourth valve  
Hydraulic oil cooler, heavy-duty  
Flood lights, auxiliary, cab-mounted  
Linkage, high lift  
Load check valves (dealer installed)  
Low speed transmission

Machine Security System  
Material handling arm  
Mirrors, external (two)  
Pallet forks, carriage  
Product Link  
Quick Coupler, Caterpillar  
Quick Coupler, wide  
Radiator, wide fin spacing  
Radio prep package, 12V installation, includes speakers, cable, mounting bracket, hardware, converter and accessory plug. Radio not included.  
Ride Control System  
Seats:  
- Cat Contour Seat, fabric, with adjustable backrest and lumbar support.  
- Cat Contour Seat, fabric, electrically adjustable with air suspension.  
Sliding door windows (left and right)  
Sound suppression package  
Starting aid, engine coolant heater, 120V  
Steering, secondary  
Sun screen, rear  
Tires:  
- Bias ply, 17.5 - 25 and 20.5 - 25  
- Radial, 17.5 - 25, 550/65 R25 and 20.5 - 25  
Visor, sun (front)



---

## Notes

# 924G Wheel Loader

For more complete information on Cat products, dealer services,  
and industry solutions, visit us on the web at [www.cat.com](http://www.cat.com)

© 2005 Caterpillar  
All Rights Reserved  
Printed in U.S.A.

Materials and specifications are subject to change without notice.  
Featured machines in photos may include additional equipment.  
See your Caterpillar dealer for available options.

AEHQ0545-04 (8-05)

Replaces AEHQ0545-03

CAT, CATERPILLAR, their respective logos and "Caterpillar Yellow,"  
as well as corporate and product identity used herein, are  
trademarks of Caterpillar and may not be used without permission.

**CATERPILLAR**<sup>®</sup>